

2017

Software Modelling For Real World Faults On AC Transmission Protective Systems Analysis And Effects

Iandale Tualla
University of South Carolina

Follow this and additional works at: <https://scholarcommons.sc.edu/etd>



Part of the [Electrical and Electronics Commons](#)

Recommended Citation

Tualla, I.(2017). *Software Modelling For Real World Faults On AC Transmission Protective Systems Analysis And Effects*. (Master's thesis). Retrieved from <https://scholarcommons.sc.edu/etd/4547>

This Open Access Thesis is brought to you by Scholar Commons. It has been accepted for inclusion in Theses and Dissertations by an authorized administrator of Scholar Commons. For more information, please contact digres@mailbox.sc.edu.

SOFTWARE MODELLING FOR REAL WORLD FAULTS ON AC TRANSMISSION
PROTECTIVE SYSTEMS ANALYSIS AND EFFECTS

by

Iandale Tualla

Bachelor of Science
The Citadel, 2001

Submitted in Partial Fulfillment of the Requirements

For the Degree of Master of Science in

Electrical Engineering

College of Engineering and Computing

University of South Carolina

2017

Accepted by:

Charles Brice, Director of Thesis

Herbert L. Ginn, Reader

Cheryl L. Addy, Vice Provost and Dean of the Graduate School

© Copyright by Iandale Tualla, 2017
All Rights Reserved.

DEDICATION

I would like to first thank my wife, Roselyn, sons, Ayden, Andrew, and Ashton for supporting me in this endeavor. Without their support, love, and understanding, I would not have been successful.

I would also like to thank my parents Santiago and Josefina Tualla. They came from humble backgrounds and like all caring parents, stressed the importance of higher education and knowledge seeking.

ACKNOWLEDGEMENTS

I would like to thank Dr. Herbert Ginn, III and especially Dr. Charles Brice for their assistance in my research. Their guidance and suggestions allowed me to complete my work.

I also like to thank my co-workers, Craig Field, Daniel Stacey, Harold Fields, and Garry Simms for their support with the preparation work.

ABSTRACT

The Electric Power Utilities serves many diverse customers from regular households to major processing plants that develop parts for gasoline vehicles. Those varying customer usages has adverse effects on the Electric Grid in many ways, that requires continuing analysis by the engineers and technical skills specialists who keep the Electric Grid stable. Several papers have been written about harmonics and Non-Sinusoidal waveforms and its effect on the Electric Grid. This thesis will exam a real-world fault event on a transmission line, its effects on the AC Transmission Protection Systems (TPS) that provides electrical energy to a nonlinear load, specifically analyze the microprocessor-based protective relay that controls, detects, and then actuate if need be during the abnormal system condition. The TPS as defined by North American Reliability Corporation (NERC) include:

1. AC current inputs (Current Transformers, cables, aux CTs, etc)
2. AC voltage inputs (Voltage Transformers, cables, aux VTs, etc)
3. Control voltage (Batteries, chargers, cables, etc)
4. Protective relays (numerical, sold state, and electromechanical)
5. Auxiliary relays (numerical, solid state, and electromechanical)
6. Communication equipment associated with protection schemes

The TPS system examined are at 100kV nominal voltage, including the Non-sinusoidal load. An analytical approach was taken for the thesis. The system was modeled using a commercial available software (PSCAD®). A Common Format for Transient Data Exchange (COMTRADE) file was generated from the model. The COMTRADE file was then “replayed” in a microprocessor-based protective relay and compared to the real-world

event. This was done to confirm the system model and make any adjustments when necessary. This also allowed verification of relay protection scheme logic, setpoints, etc. A simple logic solution was also presented.

TABLE OF CONTENTS


Dedication	iii
Acknowledgements	iv
Abstract	v
List of Figures	viii
List of Symbols	x
List of Abbreviations	xi
Chapter 1 Introduction	1
Chapter 2 Scheme Explanation	4
Chapter 3 Protection Used in application	7
Chapter 4 Commercially Available Transient Software (PSCAD®)	12
Chapter 5 Transient Operation using PSCAD® generated files versus “Real-World Event”	18
Chapter 6 Conclusion	28
References	29
Appendix A: Transformer Nameplate Data	30
Appendix B: Utility Tower Information	31
Appendix C: Conductor Information	32
Appendix D: Voltage Source Impedance Information	33
Appendix E: COMTRADE Files	34

LIST OF FIGURES

Figure 2.1 Simplified Power System Analyzed in Thesis	6
Figure 3.1 Typical system and it zone of protection.....	7
Figure 3.2 ANSI/IEEE 51-time delayed overcurrent relay coordination	9
Figure 3.3 Block Diagram of a typical microprocessor-based relay	10
Figure 4.1 PSCAD® Software Model	12
Figure 4.2 PSCAD® Software Model Source “S1”	13
Figure 4.3 P PSCAD® Software Model Positive and Zero Sequence Values	14
Figure 4.4 P PSCAD® Software Model Transmission Line Frequency Dependent Model with Tower/Conductor Information.....	14
Figure 4.5 PSCAD® Software Model Transformer Information	15
Figure 4.6 PSCAD® Software Power Flow Controls	16
Figure 4.7 Oneline of Test Setup	17
Figure 5.1 Recorder in PSCAD® used to generate COMTRADE files	19
Figure 5.2 Detail “A” of Oneline of Test Setup.....	20
Figure 5.3 Detail “B” of Relay Test Equipment Information.....	20
Figure 5.4 Detail “C” of Commercially Available Microprocessor-based Protective Relay Detailed.....	21
Figure 5.5 Real-World Event System Topology.....	22
Figure 5.6 Real-World Event at T=0	23
Figure 5.7 Real-World Event at T=15.56	23

Figure 5.8 Real-World Event T=29.8	24
Figure 5.9 1 st Comparison of Real-World Event versus PSCAD® generated	24
Figure 5.10 2 nd Comparison of Real-World Event versus PSCAD® generated.....	25
Figure 5.11 1 st and 2 nd Event Comparison from Real-World Event.....	26
Figure 5.12 Final Comparison of Real-World Event versus PSCAD® generated	26

LIST OF SYMBOLS

- φ Symbol representing 1 phase of a 3 Phase Power System unless denoted by a preceding number.
- Δt Change in Time Step of simulation in PSCAD®.
-  Symbol representing a rectifying circuit that electrically alters alternating current to direct current by allowing current to flow in one direction.

LIST OF ABBREVIATIONS

AC.....	Alternating Current
COMTRADE.....	Common Format for Transient Data Exchange
CT's.....	Current Transformers
EPU.....	Electric Power Utilities
IEEE.....	Institute of Electrical and Electronics Engineers
TPS.....	Transmission Protection System
NERC.....	North American Reliability Corporation
VT's.....	Voltage Transformers

CHAPTER 1

INTRODUCTION

Electric Power Utilities (EPU) provide safe electrical energy to residential customers and in some cases, Industrial customers. They are obligated by law to provide this electrical energy within set voltage/power quality requirements agreed upon between the provider and customer. As with the Industrial customer in this thesis, they in-turn create different goods such as metal products.

One component to provide this electrically energy continuously and reliably is through a medium of “High Voltage Transmission Lines.” Because of the exposure of these High Voltage Transmission Lines, whether it be because of public interference, weather related (i.e. Lightning Strikes), animals, or avian contamination, EPU’s have systems in place called Transmission Protection Systems (TPS) to stop power flow if an abnormality or “fault” was to occur. The TPS studied in this thesis is typically used for One Terminal applications or radial lines. For radial line faults, it is usually not necessary to determine the direction of the fault current because the fault current can flow in only one direction. Some exceptions occur when the line supplies significant motor load and zero-sequence current sources [1].

Another component of the system used to deliver the electrical energy to the consumer is called a Power Transformer. This device “Transforms” the High Voltage electrical energy to a lower voltage, or in this thesis transformer (T1) “high voltage side” is at 100kV and the consumer voltage or lower voltage side is at 13.09kV. Because of the

investment in power transformers (sometimes over \$1 million) and the long lead time, differential (ANSI/IEEE number 87) protection schemes along with instantaneous/time delayed overcurrent (ANSI/IEEE number 50/51) TPS's are typically used. This is not always the case, however. different protection engineering departments within EPU's has different philosophies. The EPU in this thesis based the TPS used on the size of the Transformer Bank and therefore elected to use an instantaneous/time delayed overcurrent (ANSI/IEEE number 50/51) system.

The first goal of this work was to verify the system models using a commercial software (PSCAD®) which allows the Protection Engineer designing the TPS better understanding of non-symmetrical/symmetrical faults or conditions and how the power system will react to non-sinusoidal loads during these conditions. The second goal was to investigate various methods to mitigate and provide adjustments to the relay settings/relay logic for the "real world event." The final goal is to develop more advanced skills to design improved and enhanced Transmission Protection Systems when there are potentially non-linear loads using a commercially available software, in this case PSCAD®.

This thesis is organized into five main chapters:

Chapter 2 discusses briefly the protection scheme used for the application in analysis. The protection scheme is discussed in more detail in Chapter 3. Chapter 2 also gives the general concept and guidance for the TPS used and how Protection Engineers design the TPS.

Chapter 3 provides more detailed information on the protection scheme for the application in the analysis and insight as to why nondirectional protection elements were

chosen versus directional elements. Also, Chapter 3 defines the meaning of “polarization”, terminology used by Protection Engineers.

Chapter 4 shows the commercially available transient software model(PSCAD®) in detail. It shows each component of the Transmission Power System model electrical characteristic. Chapter 4 also shows the equipment used during the testing phase of the analysis.

Chapter 5 documents the PSCAD® model COMTRADE output file, then shows how the relay responded in test setup and finally compares it to the real-world event file.

Chapter 6 provides conclusions and recommendations for future work.

CHAPTER 2

SCHEME EXPLANATION

The simplified diagram of the system studied (Figure 2.1) shows the TPS topology. For customer deliveries with this transmission system topology, protection scheme will be what protection engineers call definite time and time delayed overcurrent protection (ANSI/IEEE numbers 50/51). For the definite time protection element (ANSI/IEEE number 50), when the relay measurement exceeds a setpoint value determined by the protection engineer, it will actuate with no intentional time delay, unless needed in the scheme. For the time delayed protection element (ANSI/IEEE number 51), when the relay current measurement exceeds a setpoint value, depending on the time current characteristic will actuate or send a trip to the associated breaker. [2]

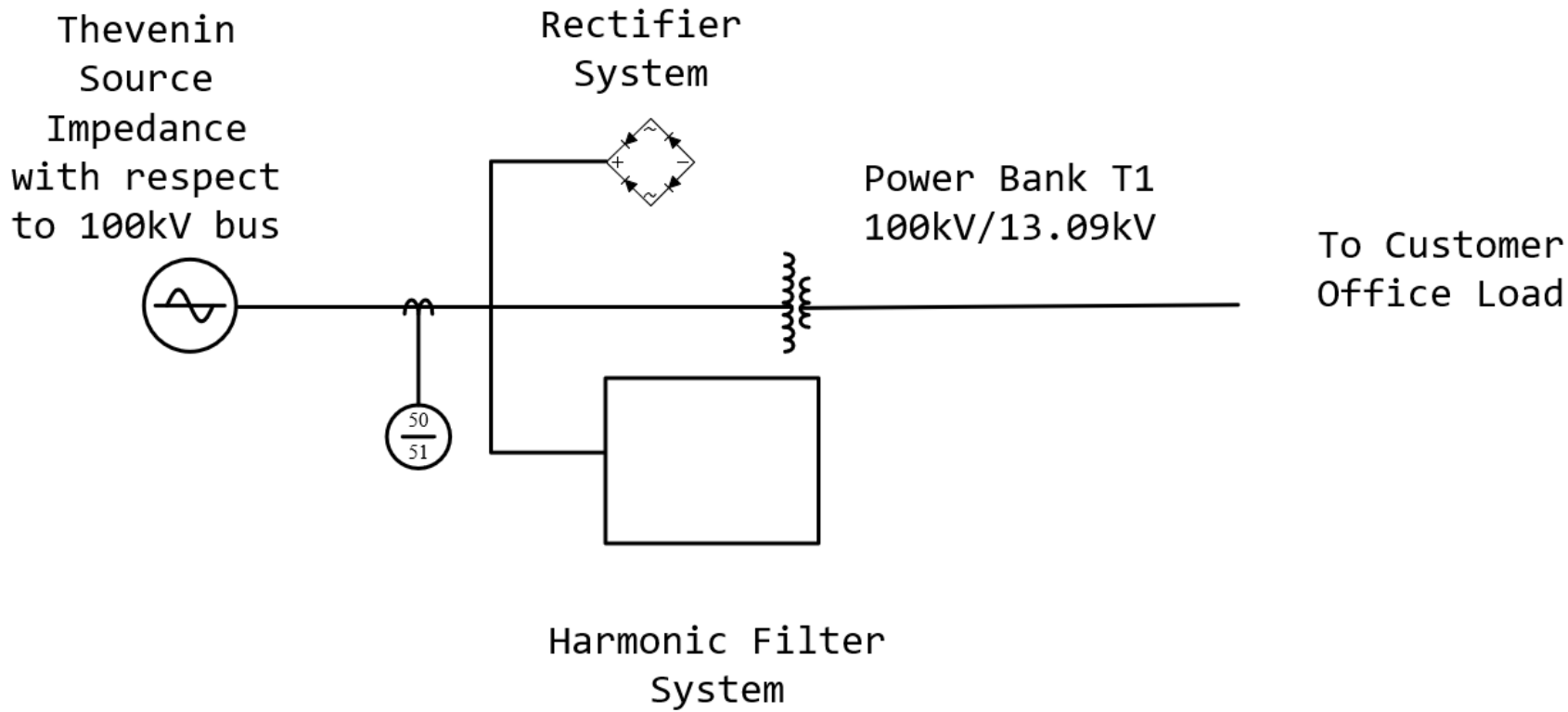
During normal operation, the instantaneous and time delay relay elements will not be “picked up” or actuate and the Transmission System will provide electrical energy to the Harmonic filter and rectifying components. The simplified diagram, shown in Figure 2.1, of the system studied also shows the Power Transformer feeding the customer office load. The Power Transformer is also protected by the definite time and time delayed protection elements (ANSI/IEEE numbers 50/51). The EPU’s protection engineering department uses a philosophy to set the instantaneous overcurrent relay element (ANSI/IEEE 50) in the microprocessor based relay at a value greater than either:

1. 1.5 multiplied by the low side fault of the Power Transformer or
2. 12 multiplied by the bank MVA rating.

The microprocessor based relays in this TPS receives information (low voltage/current data at ratings typically 67V and 5 amps) from the power system through instrument transformers called current transformers (CT's) and voltage transformers (VT's). To define the work practices for designing or reviewing the microprocessor based relay settings and selecting the ratios associated with the CT's and VT's, guidelines are established for the Protection Engineer. Typically, the Protection Engineer will select a CT ratio to:

1. To carry full load without exceeding 5 amps secondary current.
2. To not exceed 20 times CT rating for a fault. (5 amps x 20 =100 amps secondary). Current in excess of this may cause the CT to saturate or not reproduce the primary waveform dynamics/magnitudes to the secondary side.

As stated in [1], [6], and [7], if CT saturates, delay in protection elements can result. Due to the nature and complexity of the power system behind the 100kV bus in the figure below, the Thevenin Equivalent system source impedance was modeled in the transient software(PSCAD®). This gave a relatively close approximation as to the fault duties observed during the testing. It validated the Fault Study model and the transient software.



9

Figure 2.1 Simplified Power System Analyzed in Thesis.

CHAPTER 3

PROTECTION USED IN APPLICATION

The primary protection for the Power Bank is the instantaneous/time delayed overcurrent relay elements (ANSI/IEEE numbers 50/51) and is widely used in all voltage levels. In the specialized engineering of Protection Engineering, “zones” are defined based on the CT location and equipment the TPS is protecting. According to [1], there are four basic types of protection zones, as shown in Figure 3.1. The four types are as follows:

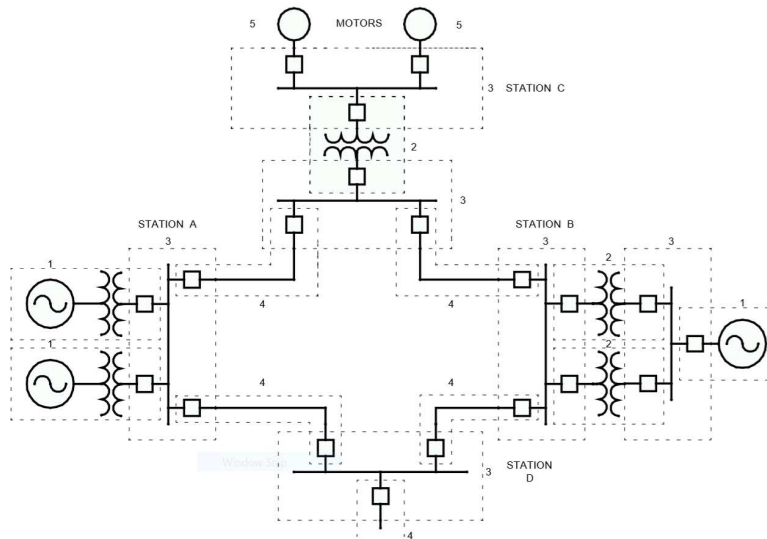


Figure 3.1 Typical system and its zones of protection [1]

1. Generator
2. Transformer
3. Bus
4. Line

The 50/51 overcurrent relay elements measure and compare the current metered to the customer. The AC current input from the high voltage system is provided by the CT's which in turn provide the boundaries or "zones of protection." As shown in above figure, the dashed boxes represent the zones of protection. Notice that the zones of protection are overlapping. This is done intentionally for security of the protection scheme.

As stated earlier, the instantaneous overcurrent relay element will actuate with no intentional time delay, however the time delayed overcurrent relay element (ANSI/IEEE number 51) would need to coordinate with the protecting devices downstream and be below the transformer damage curve produced by the transformer manufacturer. Figure 3.2 shows the time delayed overcurrent relay coordination, between customer protection devices and EPU's transmission Stations "A", Station "B", Large Utility's customer station and customer's protection devices. Notice the separation between the "vertical" lines. This is the "coordination time" between the protection devices. The theory is to allow the local protection to operate or clear the fault first, then the next upstream

protection to operate to clear the fault.

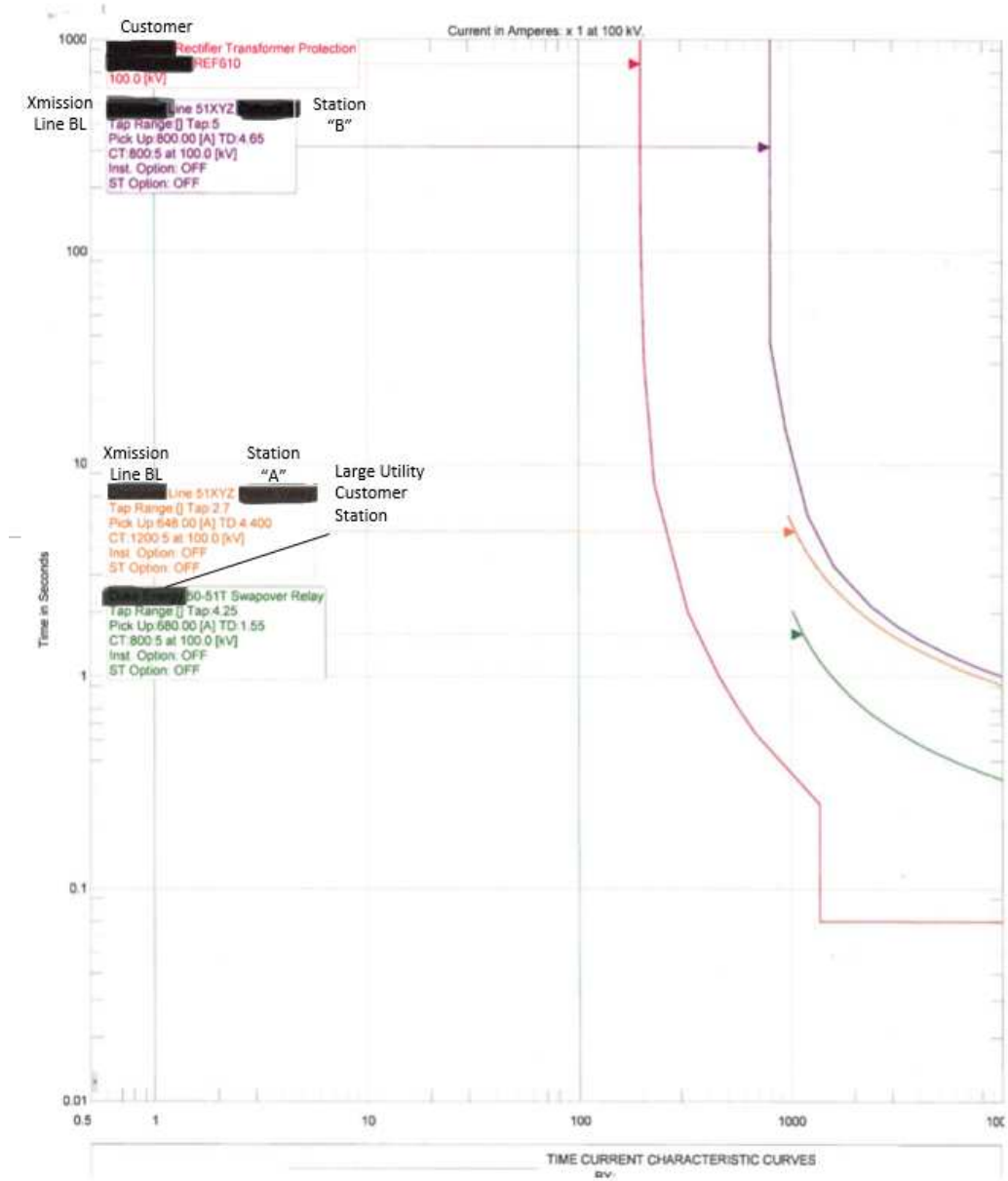


Figure 3.2 ANSI/IEEE 51-time delayed overcurrent relay coordination

According to [5], the microprocessor-based protective relay interprets and samples the analog current and voltage data. Figure 3.3 shows a typical block diagram of a modern microprocessor-based protective relay. The Relay settings or thresholds of the

overcurrent relay element then determine if an abnormal condition or fault has occurred.

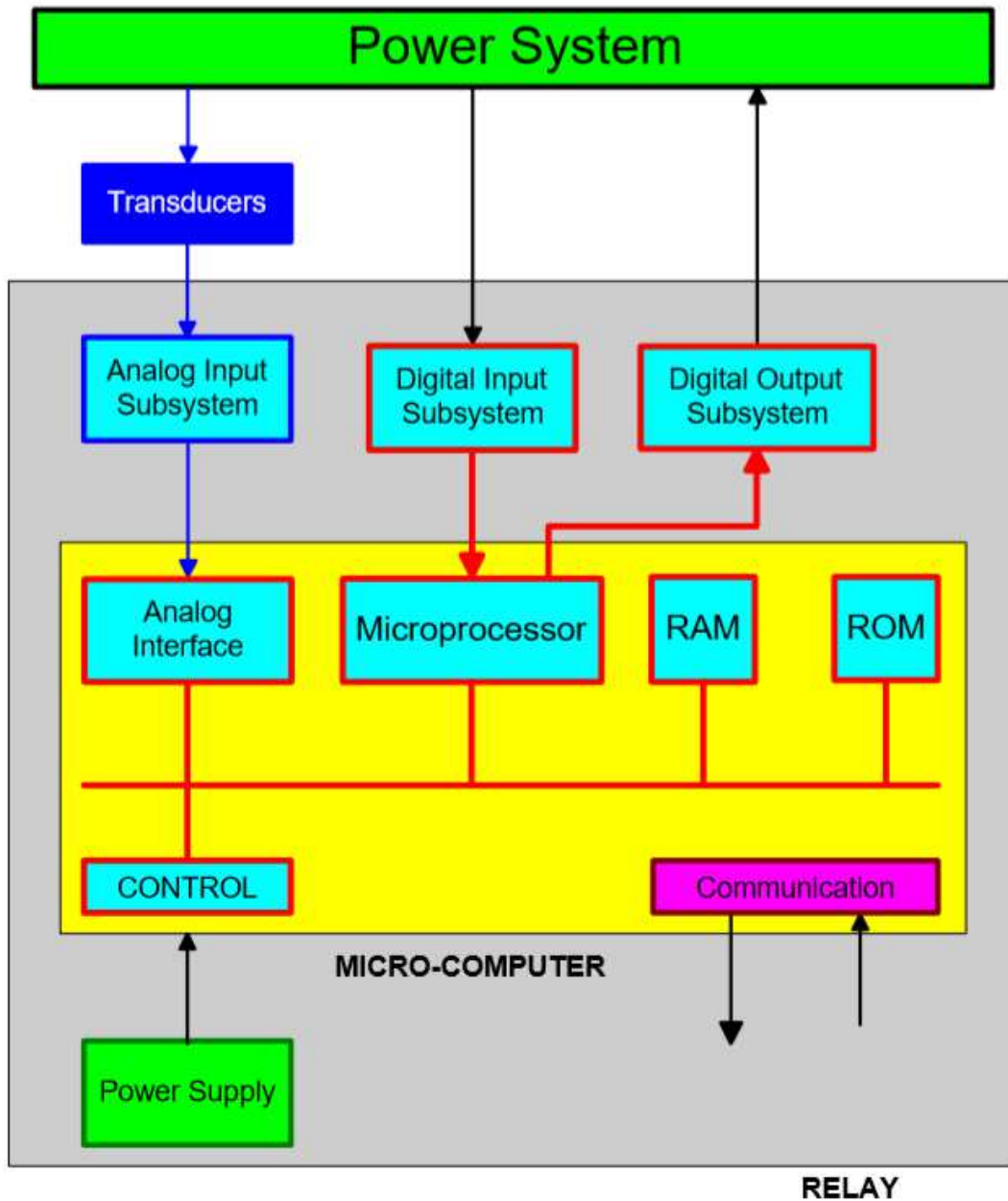


Figure 3.3 Block Diagram of a typical microprocessor-based relay [5]

Non-directional instantaneous/time delayed overcurrent relay elements, used in this TPS, required no reference (typically unfaulted voltage phase) or polarizing element, therefore inherently operate faster than directional instantaneous/time-delayed overcurrent

elements in microprocessor-based relays. As shown in Figure 3.3, if directional relay elements were used in this application, the protection will require more processing time, thus will slow down the protection elements. The intent in this protection design was to operate as quickly as possible.

CHAPTER 4

COMMERCIALLY AVAILABLE TRANSIENT SOFTWARE(PSCAD®)

This chapter discusses in detail the use of the transient software used in the analysis and discusses each component of the Power System studied. The system was modeled using PSCAD® and developed by [4]. The PSCAD® model was modified to fit application in thesis shown in Figure 4.1. The electrical characteristics of each component was entered in the model.

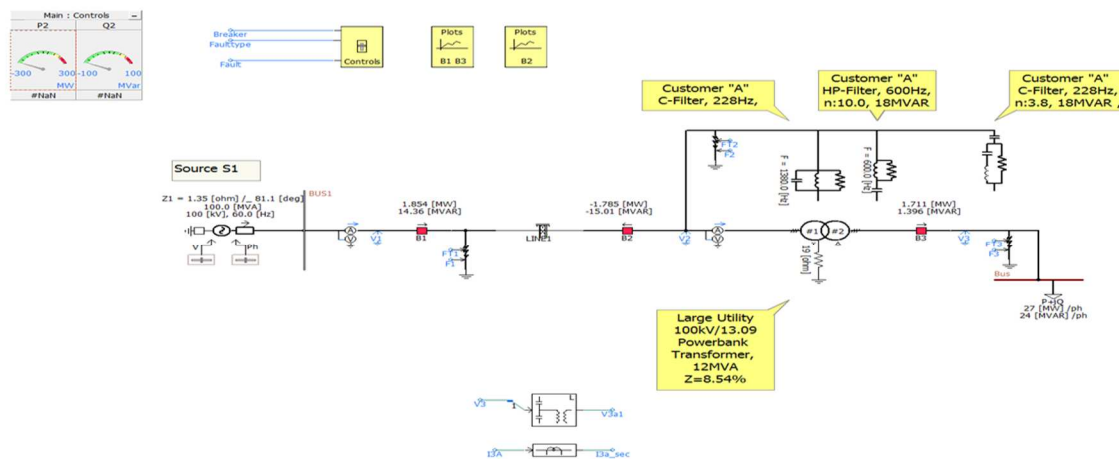


Figure 4.1 PSCAD® Software Model

In the PSCAD® model, the source impedance magnitude and angle were entered and named “Source S1” shown in Figure 4.2. Because of the complexity of the other power system components at the Transmission Switchyard and the Generation plant, a simplified source impedance was used. The Thevenin Equivalent with respect to the 100kV bus at the Transmission Station was used.

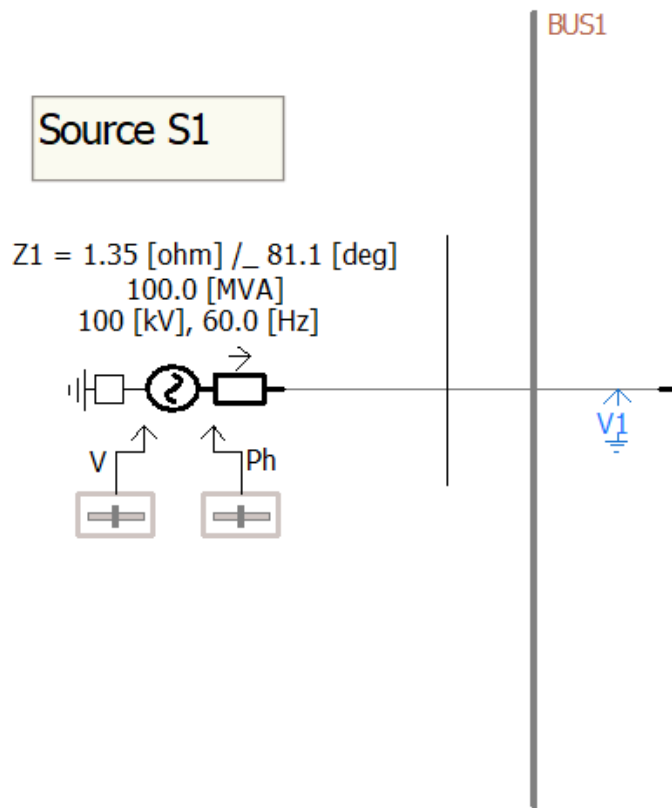


Figure 4.2 PSCAD® Software Model Source “S1”

Both the positive sequence and zero sequence source impedance (magnitudes and angles) were needed for the model to run. The values for Source “S1” are shown in Figure 4.3.

Next in the PSCAD® Software was modelling the Transmission Line the feeds the customer Station. According to [5], for transient analysis use the frequency dependent model for the lines of main interest, and the constant frequency distributed parameter (Bergeron) model for lines of secondary interest. The frequency dependent model was used in the analysis and tower dimensions along with conductor values were entered as shown in Figure 4.4.

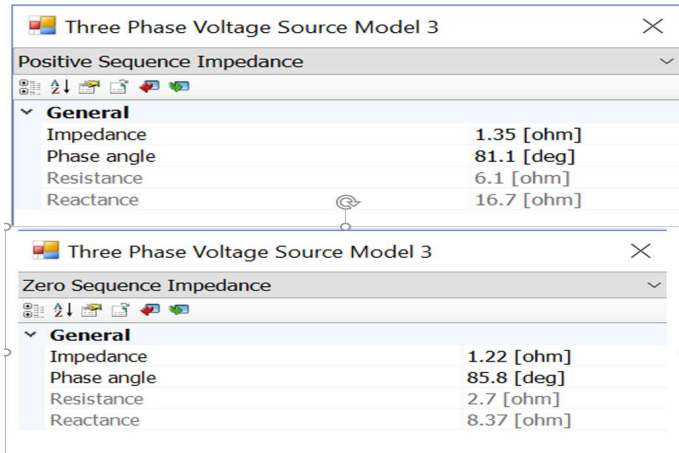


Figure 4.3 PSCAD® Software Model Positive and Zero Sequence Values

The filter information was then entered based on information received from the filter manufacturer. High pass, Low Pass and Band pass filters were created in the Engineering Simulation. The Harmonic Filter System and the Rectifier Circuit were ungrounded based on the information from the manufacturer.

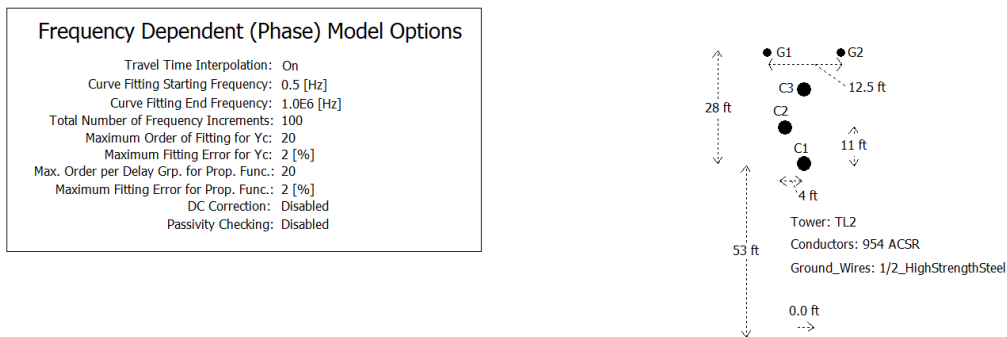


Figure 4.4 PSCAD® Software Model Transmission Line Frequency Dependent Model with Tower/Conductor Information

The final component modeled in PSCAD® was the Power Transformer that feeds the customer office load with values shown in Figure 4.5.

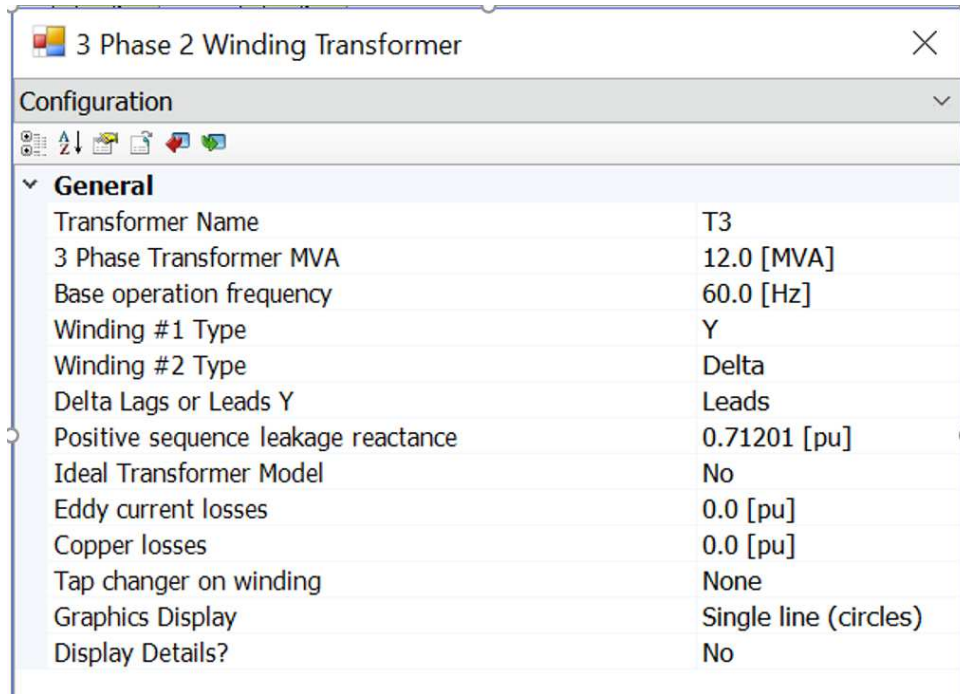


Figure 4.5 PSCAD® Software Model Transformer Information

All the necessary information for a power transformer concerning MVA rating, line-to-line voltages, winding resistance and inductance, power frequency were entered in the PSCAD® model.

The PSCAD® model allows the user the flexibility to apply different symmetrical/non-symmetrical faults at different locations in the system studied. It also allows the user to change both the Megawatt and MVAR flows in the system as shown in Figure 4.6.

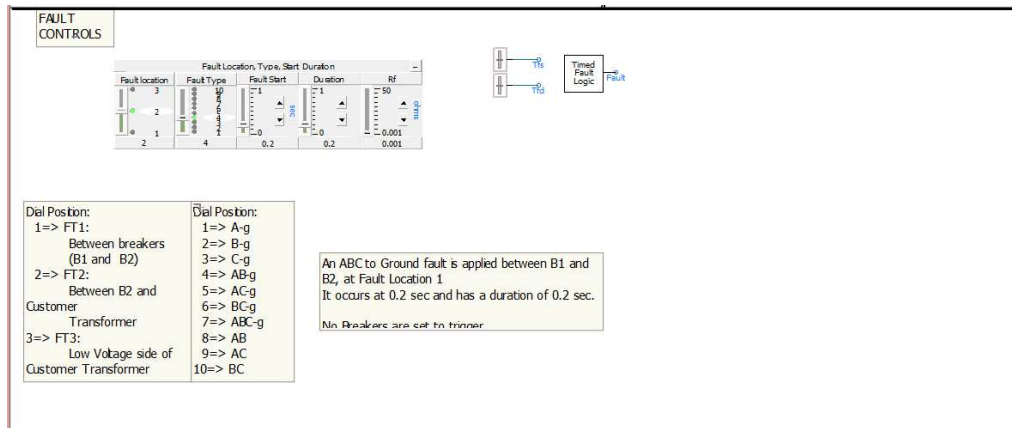


Figure 4.6 PSCAD® Software Power Flow Controls

The testing of the PSCAD simulation was performed using a computer/laptop, commercially available relay test equipment, and commercially available microprocessor-based relay, a SEL-551®. The microprocessor -based relay was used in both in the analysis and during real world event. Figure 4.7 shows the Oneline of the Test setup. Each simulation in PSCAD® produces a COMTRADE file waveform which is readable by the Commercially Available Relay Test Equipment. The time step, Δt , in each simulation was 250µseconds based on the software recommendation. There were three tests performed that simulated the real-world event. The testing methodology and

results will be discussed in further detail in next chapter.

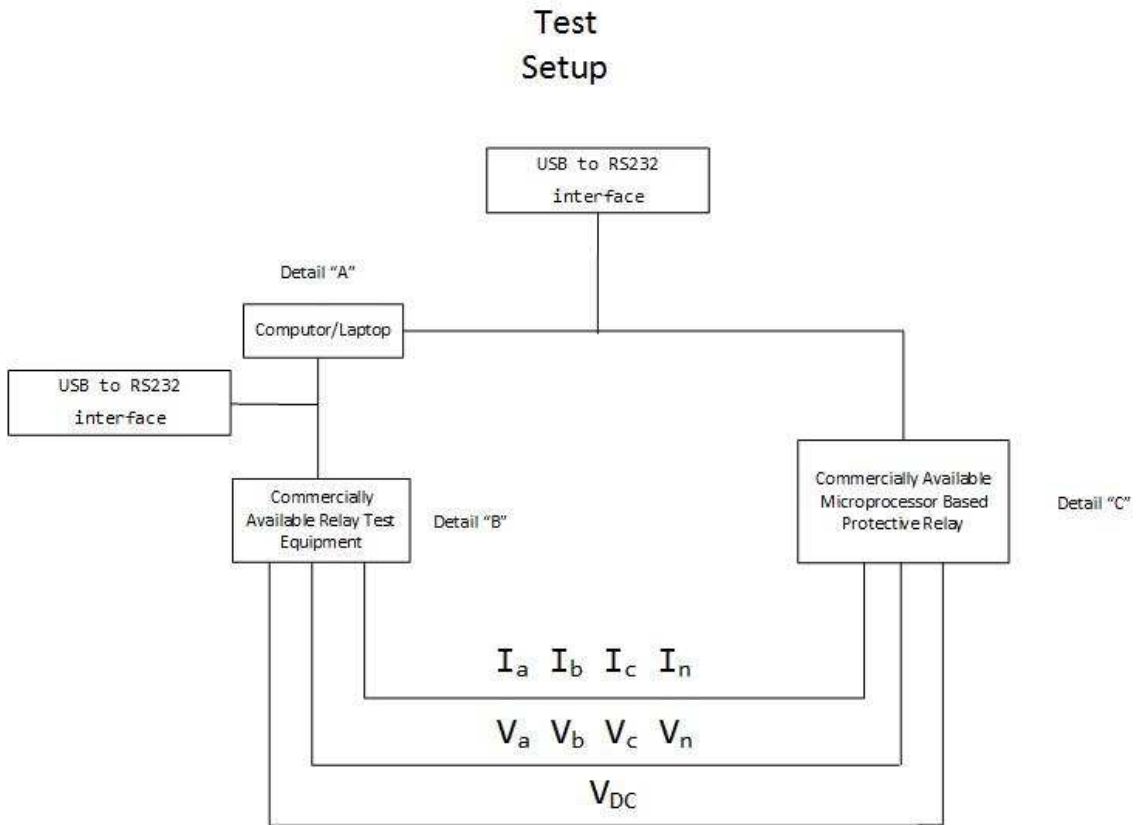


Figure 4.7 Oneline of Test Setup

CHAPTER 5

TRANSIENT OPERATION USING PSCAD® GENERATED FILES VERSUS “REAL WORLD EVENT”

This chapter will discuss in detail the PSCAD ® generated files and how injecting the COMTRADE files helped determine the microprocessor -based relay settings/logic to assist in designing an enhanced TPS. Laboratory test setups for relay operation and information about application of waveforms obtained from the PSCAD® for 2 ϕ fault and 3 ϕ faults are explained here as well. Also discussed is a brief overview of the “real world event.

The transient analysis software can generate testing files called COMTRADE files, so the user can test the TPS or system being analyzed. There are three (3) files associated with the generation of COMTRADE files:

1. *.hdr file
2. *.cfg file
3. *.dat file

The *.hdr file can be opened using a text editor, such a Microsoft Notepad®. In PSCAD®, the header file displayed the software/compiler used in simulation, date of simulation, time of simulation, length of simulation and other data specified by the software manufacturer. The configuration file also can be opened using a text editor. As stated by [3], the configuration files contain information needed by a computer program in order to properly interpret the data. Information includes items such as sample rates,

number of channels, line frequency, channel information, etc. displays the signals being taken from the simulation. The data file can also be opened with a text editor and contains the sampled values for the currents and voltages for each simulation performed. The files for “stn 2” will also be shown in Appendix E of this manuscript.

The component in PSCAD®, shown in Figure 5.1, was used to record the currents and voltages in the simulation required a start and stop time for data recording.

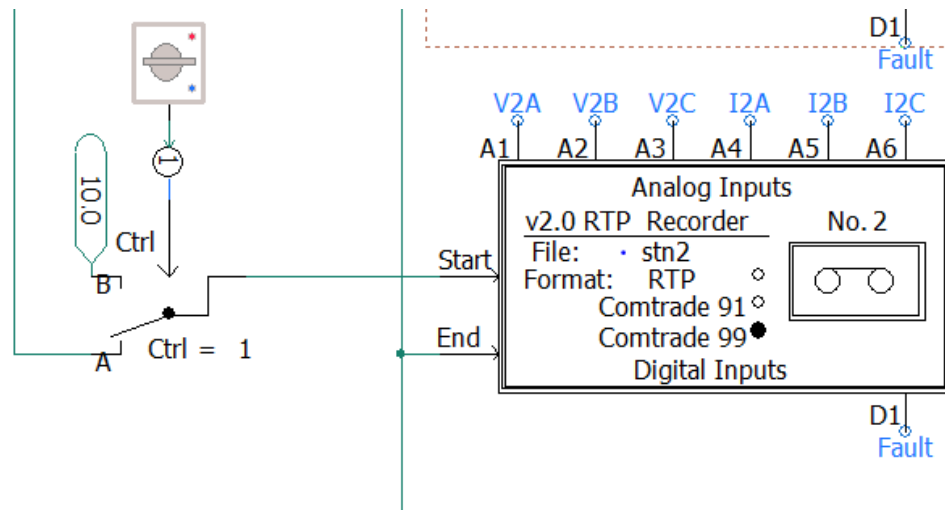


Figure 5.1 Recorder in PSCAD® used to generate COMTRADE files

The COMTRADE files were then transferred using a portable media device and loaded on the human machine interface of the relay test equipment. Figure 5.2 shows detail of the test setup and briefly describes the control capability of the use. The simulated currents and voltages were then generated using the relay test equipment and injected into the microprocessor-based relay, shown in Figure 5.3.

“Detail “A”



Figure 5.2 Detail “A” of Oneline Test setup

“Detail “B”



Figure 5.3 Detail “B” of Relay Test Equipment Information

“Detail “C”

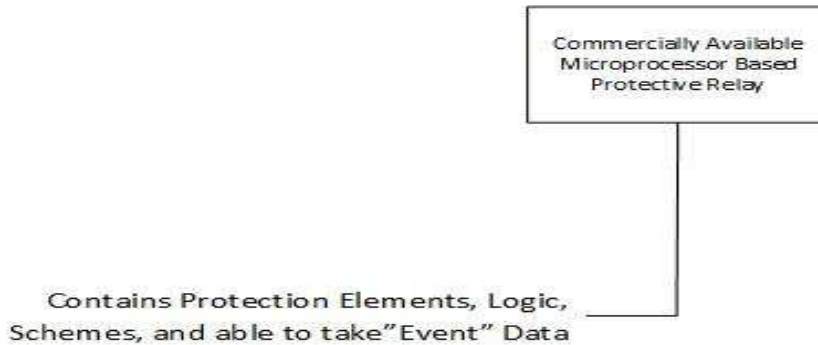


Figure 5.4 Detail “C” of Commercially Available Microprocessor-based Protective Relay Detailed Information

The first and second event simulated were 2 ϕ fault and showed very similar current magnitudes and dynamics as the real-world event. The third event was a 3 ϕ fault and showed similar magnitudes. Figure 5.4 shows the microprocessor-based relay used in test and describes some of the capability. It allowed the Protection Engineer to program or set the relay and gather more information about an event.

To compare the simulations and the real-world event, the real-world event will be described. A large Utility experienced an event that resulted in an outage to a customer and both transmission lines feeding the customer. The general system topology is given in Figure 5.5. The customer experienced a failed manually operated gang switch at the 100kV Harmonic Filter shown in the figure. The fault was initially an AB fault. The first event data showed that approximately 6 cycles into the event ground was involved shown in Figure 5.6. After the fault was cleared by the TPS at both Station “A” and Station “B”, the manually operated gang faulted again 15.56 seconds after the initial fault shown in

Figure 5.7, causing another operation of the TPS. Because of reliability concerns to the other customers on the Transmission System, the High Voltage breakers at both Station “A” and Switchyard “B” reclosed back into the fault for a third and final time 29.8 seconds after the initial fault shown in Figure 5.8. This time the fault evolved into all 3 ϕ showing fault current. The final alignment of the event was Station “A” High Voltage breaker was closed, Switchyard “B” High Voltage breaker was open, and all customers offline.

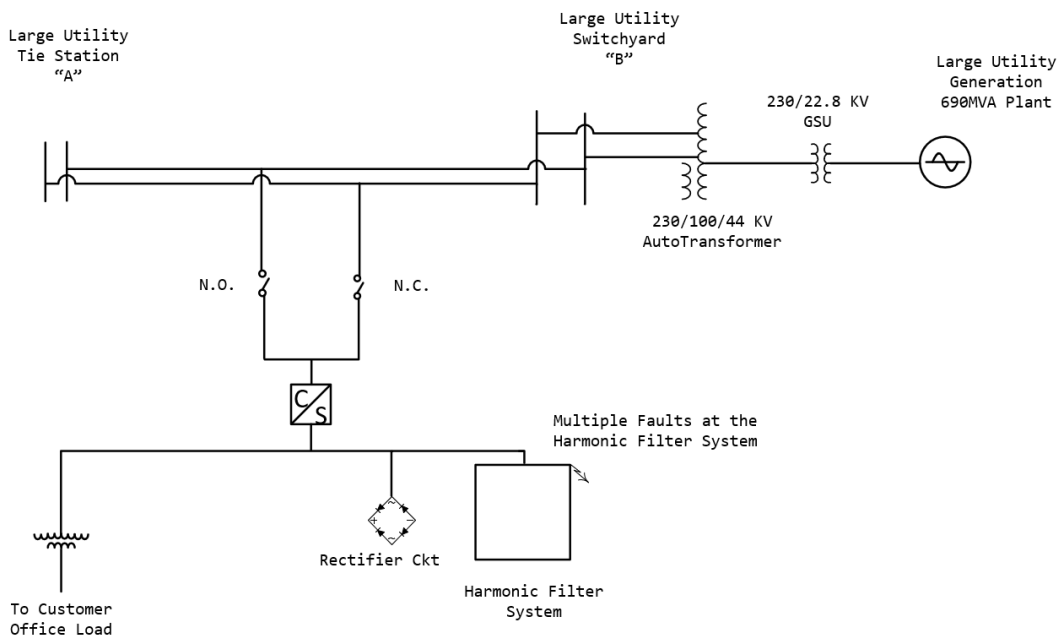


Figure 5.5 Real-World Event System Topology

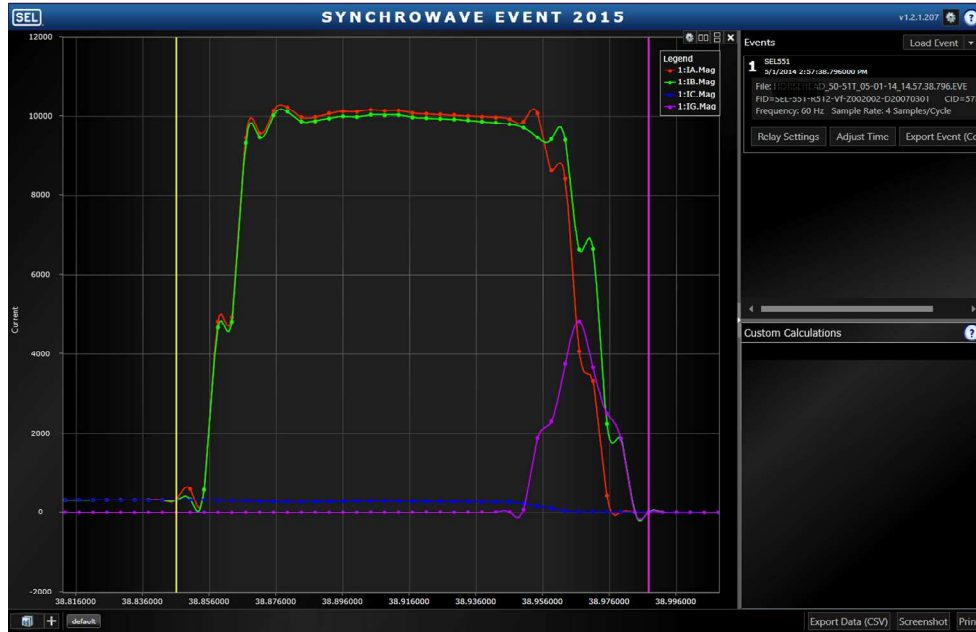


Figure 5.6 Real-World Event at T=0

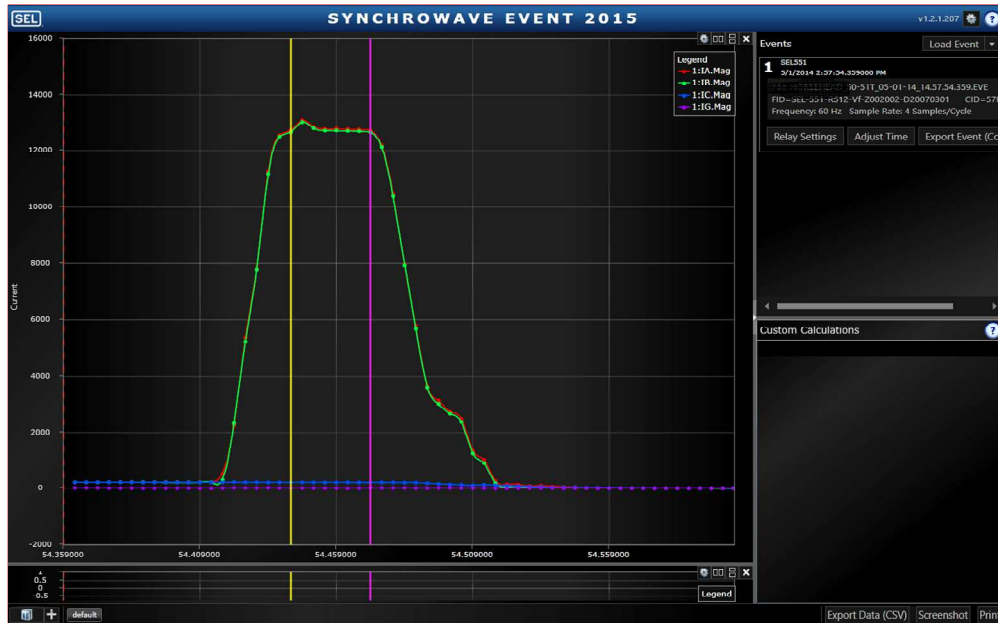


Figure 5.7 Real-World Event at T=15.56



Figure 5.8 Real-World Event at T=29.8

The comparison of the first event, 2 ϕ fault, for both the PSCAD® generated and the real-world event showed similar magnitudes. The loading was slightly different and is shown in Figure 5.9 for the first event comparison.

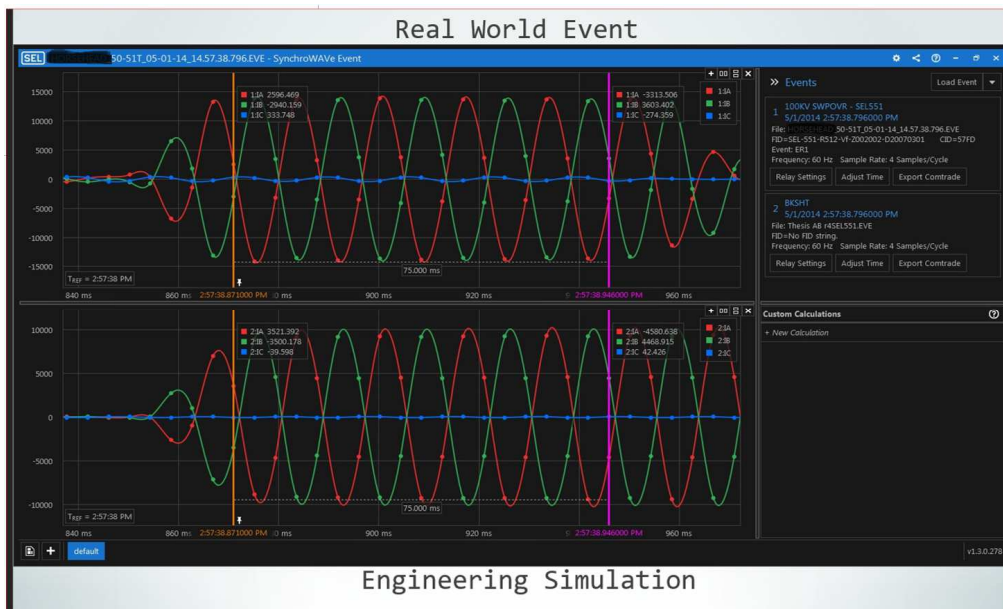


Figure 5.9 1st Comparison of Real-World Event Versus PSCAD® generated

The comparison of the second event file revealed similar dynamics, however the phase currents were 180° out of phase and magnitudes were slightly off, as shown in Figure 5.10. This anomaly shown in the Real -World event was due to when the relay triggered. A comparison both 1st and 2nd Real World Events, both 2ϕ faults, also showed these currents 180° out was also shown as in Figure 5.11. The 1st simulation versus the Real-World event (T=0) comes presumably close to the simulation. The magnitude being slightly off was mostly due to the simplification of the model. In the final comparison of the Real-World Event versus the PSCAD generated System, showed the dynamics slightly different mostly due to the simplified system simulation. The final comparison also showed the magnitudes and phase angles being slightly off. This comparison is shown in Figure 5.12.

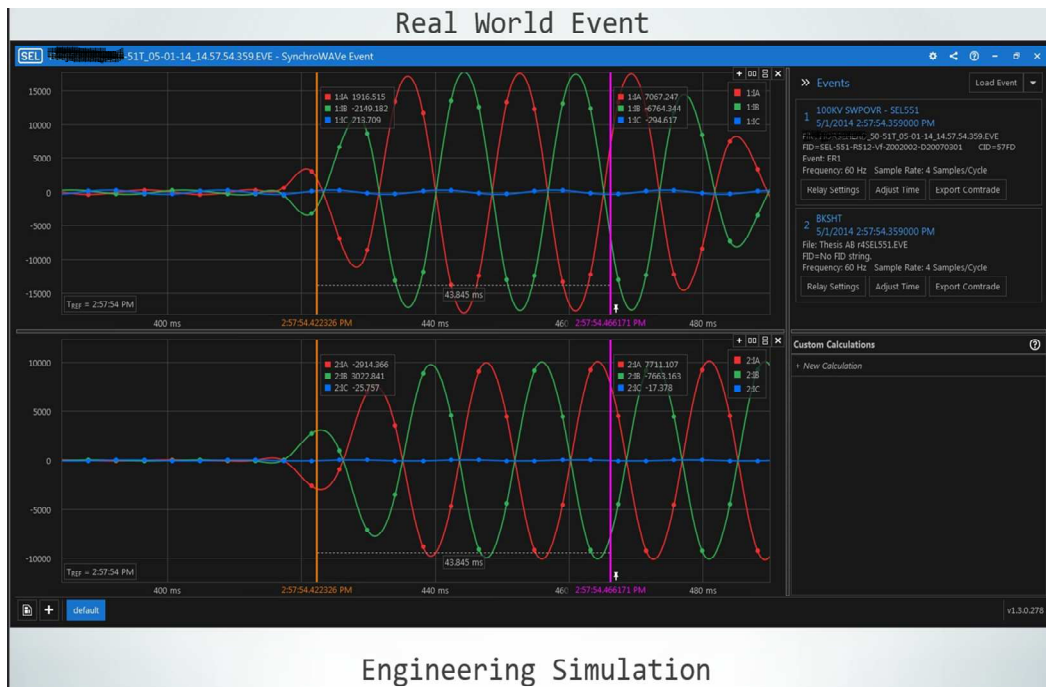
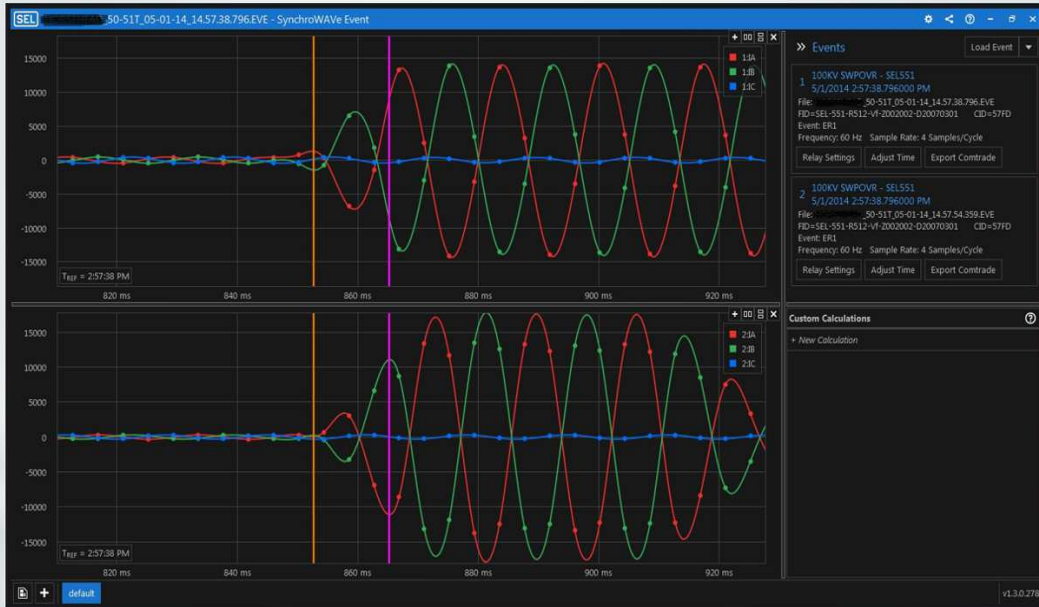


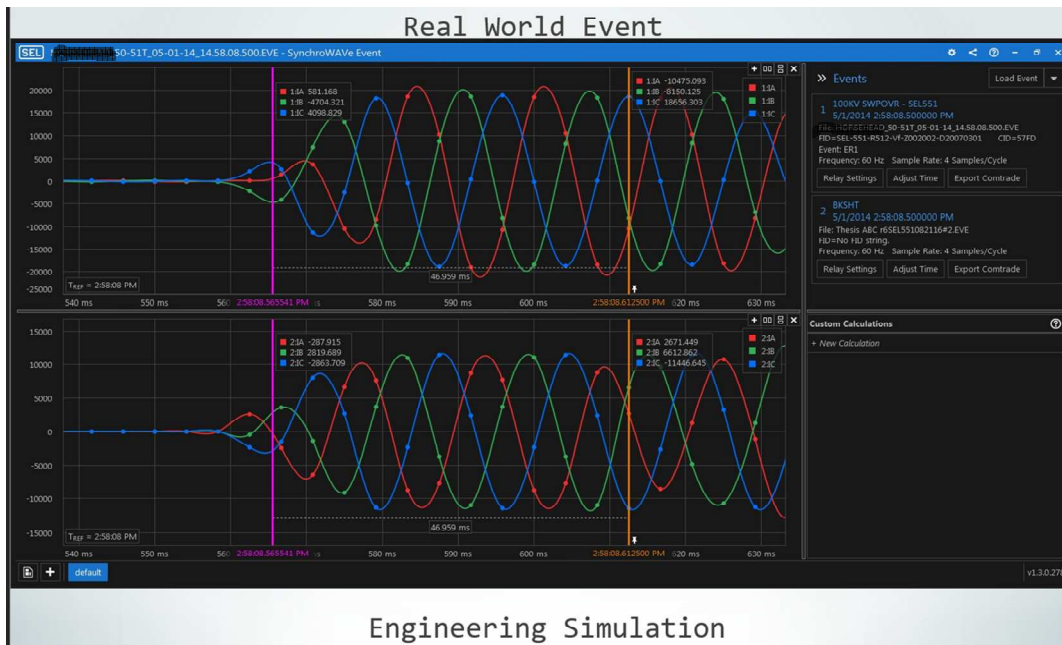
Figure 5.10 2nd Comparison of Real-World Event Versus PSCAD® generated

Real World Event #1



Real World Event #2

Figure 5.11 1st and 2nd Event Comparison from Real World



Engineering Simulation

Figure 5.12 Final Comparison of Real-World Event Versus PSCAD® generated

The analysis revealed the need to enhance the relay settings and relay logic but also the need to better understand symmetrical/non-symmetrical faults, specifically on Harmonic Filter Systems and Rectifier networks. The relay settings/logic scheme was enhanced with the time delay instantaneous elements removed from the customer station. This allowed the customer local protection to clear for faults at the 100kV bus first before going upstream to the Transmission Stations. Having the TPS designed this way will allow for the other customers to stay online while clearing for faults in the zone of protection, the selectivity of the TPS.

CHAPTER 6

CONCLUSION

The approach taken here in this Thesis can be used to validate TPS systems which was performed using PSCAD®. The Grid is running closer to system limits. Engineers and the technical skills specialist that design the TPS will need to verify the microprocessor relay settings and logic. The PSCAD® model was used to create COMTRADE files and “replayed back into microprocessor relays and the relay response was observed. Correctness of the results of the tested relay depends on the accuracy of the PSCAD® model used to produce current waveforms supplied to the relay. The utilized internal fault model did not include the Autobank feeding the 100kV Transmission lines along with the Generator Step-up Transformer and Generator model during transients. The microprocessor based relay used in test lab was manufactured in 2012. With the ever-changing microprocessor technology, the relay response would also need to be verified with those newer style relay technologies. The solution to adding less time delay in the instantaneous overcurrent element (ANSI/IEEE number 50) would have allowed the TPS at the customer station to clear the fault during the “real world event.” Based on internal training and research at current employment, this thesis assisted in the development of more advance skill sets to better understand symmetrical/non-symmetrical faults on non-linear loads and its effects on Transmission Protection Systems.

REFERENCES

- [1] IEEE Guide for Protective Relay Applications to Transmission Line, IEEE Std. C37.113-1999
- [2] IEEE Standard Inverse-Time Characteristic Equations for Overcurrent Relays, IEEE Std. C37.112-1996(R207)
- [3] IEEE Standard COMTRADE for Power System, IEEE Std. C37.111-2013
- [4] Mohindar S. Sachdev et al., IEEE Power System Relaying Committee D Subcommittee “EMTP Reference Models for Transmission Line Relay Testing,” September, 2005
- [5] Mohindar S. Sachdev et al., IEEE Power System Relaying Committee Working Group I16 “Understanding Microprocessor-Based Technology Applied to Relaying,” February 2004
- [6] Stanley Zocholl, Gabriel Benmouyal, “How Microprocessor Relays Respond to Harmonics, Saturation, and Other Wave Distortions,” Schweitzer Engineering Laboratories, Inc., Pullman, WA, 1998
- [7] Zimmerman, K. et al., IEEE Power System Relaying Committee D Subcommittee “Distance Element Response to Distorted Waveforms” January, 2013

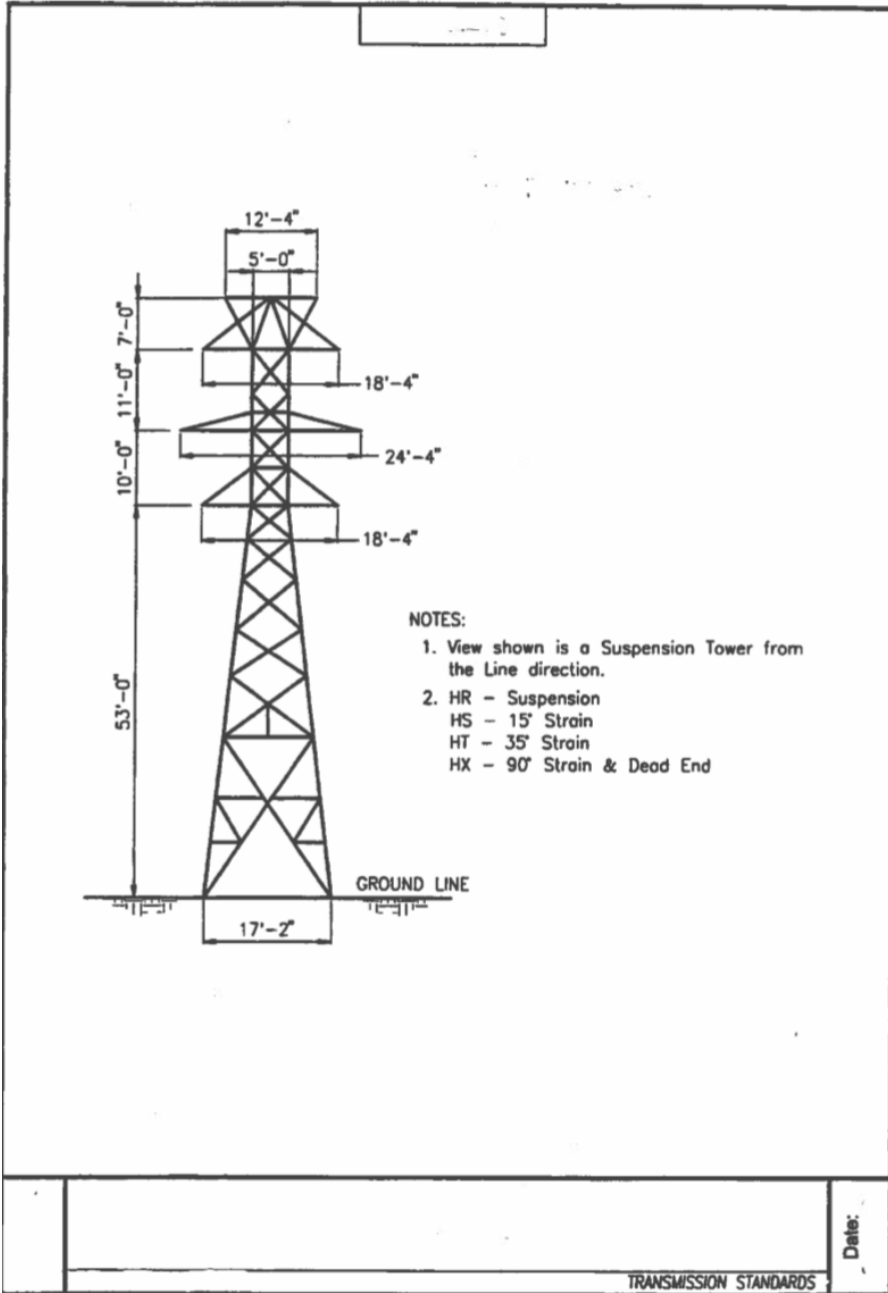
APPENDIX A

TRANSFORMER NAMEPLATE DATA

ELECTRIC CORPORATION													
POWER TRANSFORMER DIVISION													
TRANSFORMER TEST REPORT													
Purchaser: _____			Purchase Order No. _____			Date of test _____			S.O. No. _____				
Type: Power	Class: OA/FA/FA	Phase: 3	Hertz: 60	Temp. Rise: 55/65°C	Insulating Fluid: Mineral Oil								
105750		Volts 13090Y/7558		Volts		Volts							
H-winding		X-winding		Y-Winding									
12000/16000/20000		kVA 12000/16000/20000		kVA		kVA							
RESISTANCES, LOAD LOSSES, AND IMPEDANCE are based on normal rating, unless otherwise stated and are corrected to: 75°C													
Serial No.	Resistance in Ohms			Per Cent Exciting Current at 100% of Rated Voltage	No Load Loss Watts at 100% of Rated Voltage	105.75 kV		13.09Y kV		12000 kVA			
	H Winding	X Winding	Y Winding			To At	Load Loss Watts	% Imp.	To At	Load Loss Watts	% Imp.	To At	Load Loss Watts
	12.4188	0.0474		0.14	10233	37422	8.50						
Guarantee				0.36	10250	38290	8.50						
Total Loss (without Auxiliary) Watts				Test	47655		Guarantee		48540				
Auxiliary Watts				Test	416 / 832		Guarantee		1250 / 2500				
Total Loss including Auxiliary Watts				Test			Guarantee						
EFFICIENCIES					REGULATION								
	100% Load	75% Load	50% Load	25% Load		100 % P.F.	90 % P.F.	80 % P.F.	70 % P.F.				
Average	99.60	99.65	99.67	99.58	Average	0.67	4.27	5.56	6.42				
Guaranteed	99.60	99.65	99.67	99.58	Guaranteed	0.68	4.27	5.57					
Temp. Test on Serial No. _____													
H Winding 94500		Volts. X Winding 13090Y/7558		Volts. Y Winding _____		Volts.							
No. 1	12000	kVA	H Wdg Line Amps	73.3	X Wdg Line Amps	529.3							
No. 2	22400	kVA	H Wdg Line Amps	136.9	X Wdg Line Amps	988.0							
No. 3		kVA	H Wdg Line Amps		X Wdg Line Amps								
Temperature Rise of Windings by Resistance, °C							Top Fluid Temperature Rise		Ambient Temperature				
No.	H	X	Hot Spot Rise	Bot.Oil Temp	Therm / WTI *	Guarantee	°C		°C				
1	38.9	40.8	50.4	16.0	/	55	36.2		27.8				
2	61.4	59.4	70.8	25.1	/	65	55.1		27.1				
DIELECTRIC TESTS													
Applied-potential Tests (Voltage applied between each winding and all other windings connected to core and ground)			Voltage Rating of Winding Tested		Test Voltage Applied in Kv		Duration of Test in Seconds						
			105750		230		60						
			13090		34		60						
Induced-potential Test			times rated voltage across full winding:		Kv from _____ Kv line terminal								
			to ground: 208 Kv between phases; at _____		cycles per second for _____		7200 cycles.						
REMARKS: Ratio and phase vector are correct as per nameplate drawing. Unit has passed ANSI impulse test. * Gauge readings for thermometer (oil) and WTI (Winding hot spot*) were not taken during temperature test. Oil dielectric test per ASTM D-1816 at .04 inch gap = 38.0 kV (oil in transformer at time of test).													
I HEREBY CERTIFY THAT THIS IS A TRUE REPORT BASED ON FACTORY TESTS MADE IN ACCORDANCE WITH THE LATEST REVISION OF AMERICAN STANDARDS ASSOCIATION TEST CODE C57-12-90; AND THAT EACH TRANSFORMER WITHSTOOD THE ABOVE INSULATION TESTS.													
Page 1 of 4 Pages			Date: 10/30/06			Approved: _____			Transformer Engineering Department				

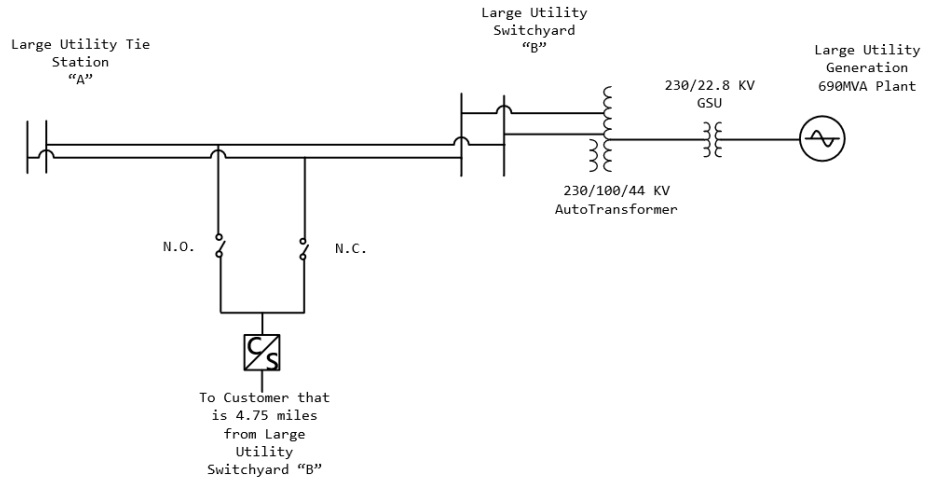
APPENDIX B

UTILITY TOWER INFORMATION



APPENDIX C

CONDUCTOR INFORMATION



Branch description	miles	R1	X1	R0s	X0s	R0m	X0m
████████████████████	1.55	0.006060	0.012832	0.014281	0.044026	0.008225	0.028213
████████████████████	1.69	0.007443	0.014336	0.016406	0.048347	0.008967	0.030761
████████████████████	6.73	0.029271	0.056910	0.064965	0.192352	0.035711	0.122499
████████████████████	1.53	0.006738	0.012979	0.014853	0.043770	0.008118	0.027849
████████████████████	3.24	0.014269	0.027484	0.031453	0.092689	0.017192	0.058974
████████████████████	4.75	0.004763	0.033457	0.022703	0.097877	0.017945	0.055257

APPENDIX D

VOLTAGE SOURCE IMPEDANCE INFORMATION

Summary of fault being displayed:
 Prefault voltage: Flat Bus V=1 p.u.
 Generator impedance: Subtransient
 MOV iteration: [Off]
 Enforce generator current limit [Off]
 ANSI x/r ratio calculation [On]
 In X-only network when X=0 use X=0.0001 p.u.
 In R-only network when R=0 compute R using method 1
 with Rc=0.0005 p.u. X/R =80 for generators; =40 for transformers; =10 for others
 Assume Z2 to be same as Z1 for generators and phase shifters.
 Ignore shunts with + seq value: [Yes]
 Ignore transformer line shunts: [Yes]
 Ignore loads: [Yes]

```

=====
1. Close-In Fault on: ##### UTILITY STATION B 100.kv - 0 CUSTOMER TAP 100.kv 2L 3LG
                        FAULT CURRENT (A @ DEG)
                        + SEQ          - SEQ          0 SEQ          A PHASE          B PHASE          C PHASE
                        42890.8@ -81.1      0.0@ 0.0      0.0@ 0.0      42890.8@ -81.1      42890.8@ 158.9      42890.8@ 38.9
                        THEVENIN IMPEDANCE (OHM)
0.20723+j1.33005      0.21797+j1.32853      0.08841+j1.21337

                        SHORT CIRCUIT MVA= 7428.9          X/R RATIO= 6.41817          R0/X1= 0.06647          X0/X1= 0.91228
                        ANSI X/R RATIO= 17.702
-----

CURRENT TO FAULT (A)    > 42890.8@ -81.1      0.0@ 0.0      0.0@ 0.0      42890.8@ -81.1      42890.8@ 158.9      42890.8@ 38.9
THEVENIN IMPEDANCE (OHM) > 1.34609@ 81.1      1.34629@ 80.7      1.21659@ 85.8
-----

```

APPENDIX E
COMTRADE FILES

The following list of text from configuration file or *.cfg file:

EMTDC_Simulation , 2,1999

7, 6A, 1D

1, V2a: A1,A,A1,kV,0.181920E-01,-37.2570 , 0.0, 0, 4096, 1.000000,1,S

2, V2b: A2,A,A2,kV,0.182025E-01,-37.2786 , 0.0, 0, 4096, 1.000000,1,S

3, V2c: A3,A,A3,kV,0.181957E-01,-37.2640 , 0.0, 0, 4096, 1.000000,1,S

4, I2a: A4,A,A4,kA,0.291243E-04,-.597199E-01, 0.0, 0, 4096, 1.000000,1,S

5, I2b: A5,B,A5,kA,0.291940E-04,-.602339E-01, 0.0, 0, 4096, 1.000000,1,S

6, I2c: A6,C,A6,kA,0.292004E-04,-.592516E-01, 0.0, 0, 4096, 1.000000,1,S

1, D1: D1,,, 0

60

1

20000, 7000

22/10/2017,22:41:38.000000

22/10/2017,22:41:38.000000

ASCII

The following list of text from data file or *.dat file:

1, 0, 1792, 506, 3847, 3984, 944, 1219,0

2, 50, 1828, 484, 3833, 3986, 975, 1186,0

3, 100, 1865, 462, 3818, 3988, 1006, 1154,0
4, 150, 1901, 441, 3803, 3988, 1037, 1122,0
5, 200, 1938, 421, 3787, 3988, 1069, 1090,0
6, 250, 1974, 401, 3770, 3987, 1101, 1059,0
7, 300, 2011, 381, 3753, 3986, 1133, 1028,0
8, 350, 2048, 363, 3735, 3984, 1166, 997,0
9, 400, 2085, 344, 3716, 3981, 1199, 967,0
10, 450, 2121, 327, 3697, 3978, 1232, 937,0
11, 500, 2158, 310, 3678, 3974, 1266, 908,0
12, 550, 2195, 294, 3657, 3969, 1300, 879,0
13, 600, 2231, 278, 3636, 3963, 1334, 850,0
14, 650, 2268, 263, 3615, 3957, 1368, 822,0
15, 700, 2304, 248, 3593, 3950, 1403, 794,0
16, 750, 2340, 234, 3570, 3942, 1438, 767,0
17, 800, 2377, 221, 3547, 3934, 1473, 740,0
18, 850, 2413, 209, 3524, 3925, 1508, 714,0
19, 900, 2449, 197, 3500, 3916, 1544, 688,0
20, 950, 2485, 186, 3475, 3905, 1579, 662,0
21, 1000, 2520, 175, 3450, 3894, 1615, 638,0
22, 1050, 2556, 165, 3424, 3883, 1651, 613,0
23, 1100, 2591, 156, 3398, 3871, 1687, 589,0
24, 1150, 2627, 148, 3371, 3858, 1723, 566,0
25, 1200, 2662, 140, 3344, 3844, 1759, 543,0

26, 1250, 2696, 132, 3316, 3830, 1796, 521,0
27, 1300, 2731, 126, 3288, 3815, 1832, 499,0
28, 1350, 2765, 120, 3260, 3800, 1869, 478,0
29, 1400, 2799, 115, 3231, 3784, 1905, 458,0
30, 1450, 2833, 111, 3202, 3767, 1942, 438,0
31, 1500, 2867, 107, 3172, 3750, 1978, 418,0
32, 1550, 2900, 104, 3142, 3732, 2015, 400,0
33, 1600, 2933, 101, 3111, 3713, 2052, 381,0
34, 1650, 2965, 100, 3080, 3694, 2088, 364,0
35, 1700, 2998, 99, 3049, 3674, 2125, 347,0
36, 1750, 3030, 98, 3017, 3654, 2162, 330,0
37, 1800, 3061, 99, 2985, 3633, 2198, 315,0
38, 1850, 3093, 100, 2953, 3612, 2235, 300,0
39, 1900, 3124, 102, 2920, 3590, 2271, 285,0
40, 1950, 3154, 104, 2887, 3567, 2308, 271,0
41, 2000, 3184, 107, 2854, 3544, 2344, 258,0
42, 2050, 3214, 111, 2820, 3521, 2380, 245,0
43, 2100, 3243, 115, 2787, 3496, 2416, 233,0
44, 2150, 3272, 121, 2752, 3472, 2452, 222,0
45, 2200, 3301, 127, 2718, 3447, 2488, 212,0
46, 2250, 3329, 133, 2683, 3421, 2523, 202,0
47, 2300, 3356, 140, 2649, 3395, 2559, 192,0
48, 2350, 3383, 148, 2614, 3368, 2594, 184,0

49, 2400, 3410, 157, 2578, 3341, 2629, 176,0
50, 2450, 3436, 166, 2543, 3313, 2664, 169,0
51, 2500, 3462, 176, 2507, 3285, 2698, 162,0
52, 2550, 3487, 187, 2471, 3257, 2733, 156,0
53, 2600, 3512, 198, 2435, 3228, 2767, 151,0
54, 2650, 3536, 210, 2399, 3199, 2800, 146,0
55, 2700, 3559, 223, 2363, 3169, 2834, 142,0
56, 2750, 3582, 236, 2327, 3139, 2867, 139,0
57, 2800, 3605, 250, 2290, 3108, 2900, 137,0
58, 2850, 3627, 264, 2254, 3077, 2933, 135,0
59, 2900, 3648, 280, 2217, 3046, 2965, 134,0
60, 2950, 3669, 295, 2180, 3014, 2997, 134,0
61, 3000, 3689, 312, 2144, 2982, 3029, 134,0
62, 3050, 3709, 329, 2107, 2950, 3060, 135,0
63, 3100, 3728, 346, 2070, 2917, 3091, 136,0
64, 3150, 3747, 365, 2033, 2884, 3122, 139,0
65, 3200, 3765, 384, 1997, 2851, 3152, 142,0
66, 3250, 3782, 403, 1960, 2817, 3182, 146,0
67, 3300, 3799, 423, 1923, 2783, 3211, 150,0
68, 3350, 3815, 444, 1886, 2749, 3240, 155,0
69, 3400, 3830, 465, 1850, 2715, 3268, 161,0
70, 3450, 3845, 487, 1813, 2680, 3296, 167,0
71, 3500, 3859, 509, 1777, 2645, 3324, 175,0

72, 3550, 3873, 532, 1740, 2610, 3351, 182,0
73, 3600, 3886, 555, 1704, 2575, 3378, 191,0
74, 3650, 3898, 579, 1668, 2539, 3404, 200,0
75, 3700, 3909, 604, 1632, 2504, 3430, 210,0
76, 3750, 3920, 629, 1596, 2468, 3455, 221,0
77, 3800, 3931, 654, 1560, 2432, 3480, 232,0
78, 3850, 3940, 680, 1524, 2396, 3504, 244,0
79, 3900, 3949, 707, 1489, 2359, 3528, 256,0
80, 3950, 3957, 734, 1454, 2323, 3551, 269,0
81, 4000, 3965, 761, 1419, 2287, 3573, 283,0
82, 4050, 3972, 789, 1384, 2250, 3595, 298,0
83, 4100, 3978, 817, 1349, 2213, 3617, 313,0
84, 4150, 3984, 846, 1315, 2177, 3638, 328,0
85, 4200, 3988, 875, 1281, 2140, 3658, 345,0
86, 4250, 3993, 905, 1247, 2103, 3678, 362,0
87, 4300, 3996, 935, 1214, 2066, 3697, 379,0
88, 4350, 3999, 965, 1180, 2029, 3716, 397,0
89, 4400, 4001, 996, 1148, 1993, 3734, 416,0
90, 4450, 4002, 1027, 1115, 1956, 3751, 435,0
91, 4500, 4003, 1059, 1083, 1919, 3768, 455,0
92, 4550, 4003, 1091, 1051, 1882, 3784, 476,0
93, 4600, 4002, 1123, 1019, 1846, 3800, 497,0
94, 4650, 4001, 1156, 988, 1809, 3814, 519,0

95, 4700, 3999, 1188, 957, 1772, 3829, 541,0
96, 4750, 3996, 1222, 927, 1736, 3842, 564,0
97, 4800, 3992, 1255, 897, 1700, 3855, 587,0
98, 4850, 3988, 1289, 867, 1663, 3868, 611,0
99, 4900, 3983, 1323, 838, 1627, 3879, 635,0
100, 4950, 3978, 1357, 809, 1591, 3890, 660,0
101, 5000, 3971, 1392, 781, 1555, 3901, 685,0
102, 5050, 3965, 1427, 753, 1520, 3910, 711,0
103, 5100, 3957, 1462, 725, 1484, 3919, 738,0
104, 5150, 3949, 1497, 698, 1449, 3928, 764,0
105, 5200, 3940, 1533, 672, 1414, 3935, 792,0
106, 5250, 3930, 1568, 646, 1379, 3942, 820,0
107, 5300, 3920, 1604, 620, 1345, 3949, 848,0
108, 5350, 3909, 1640, 595, 1310, 3954, 876,0
109, 5400, 3897, 1676, 571, 1276, 3959, 906,0
110, 5450, 3885, 1712, 547, 1242, 3963, 935,0
111, 5500, 3872, 1749, 523, 1209, 3967, 965,0
112, 5550, 3858, 1785, 500, 1176, 3970, 995,0
113, 5600, 3844, 1822, 478, 1143, 3972, 1026,0
114, 5650, 3829, 1858, 456, 1110, 3973, 1057,0
115, 5700, 3814, 1895, 435, 1078, 3974, 1089,0
116, 5750, 3797, 1932, 414, 1046, 3974, 1120,0
117, 5800, 3781, 1969, 394, 1014, 3974, 1153,0

118, 5850, 3763, 2006, 375, 983, 3972, 1185,0
119, 5900, 3745, 2043, 356, 952, 3970, 1218,0
120, 5950, 3727, 2079, 337, 921, 3968, 1251,0
121, 6000, 3707, 2116, 320, 891, 3964, 1284,0
122, 6050, 3688, 2153, 303, 862, 3960, 1318,0
123, 6100, 3667, 2190, 286, 832, 3955, 1352,0
124, 6150, 3646, 2227, 270, 803, 3950, 1386,0
125, 6200, 3625, 2264, 255, 775, 3944, 1421,0
126, 6250, 3603, 2300, 240, 747, 3937, 1456,0
127, 6300, 3580, 2337, 226, 720, 3929, 1491,0
128, 6350, 3557, 2373, 213, 693, 3921, 1526,0
129, 6400, 3533, 2410, 201, 666, 3912, 1561,0
130, 6450, 3509, 2446, 189, 640, 3903, 1597,0
131, 6500, 3484, 2482, 177, 614, 3893, 1632,0
132, 6550, 3459, 2518, 167, 589, 3882, 1668,0
133, 6600, 3433, 2554, 156, 565, 3870, 1704,0
134, 6650, 3407, 2589, 147, 541, 3858, 1740,0
135, 6700, 3380, 2625, 139, 517, 3845, 1777,0
136, 6750, 3353, 2660, 131, 494, 3832, 1813,0
137, 6800, 3325, 2695, 123, 472, 3818, 1850,0
138, 6850, 3297, 2730, 117, 450, 3803, 1886,0
139, 6900, 3268, 2764, 111, 429, 3787, 1923,0
140, 6950, 3239, 2798, 105, 408, 3771, 1960,0

141, 7000, 3210, 2832, 101, 388, 3755, 1997,0
142, 7050, 3180, 2866, 97, 368, 3737, 2033,0
143, 7100, 3150, 2900, 94, 349, 3720, 2070,0
144, 7150, 3119, 2933, 91, 331, 3701, 2107,0
145, 7200, 3088, 2966, 90, 313, 3682, 2144,0
146, 7250, 3056, 2998, 88, 296, 3662, 2181,0
147, 7300, 3025, 3030, 88, 279, 3642, 2217,0
148, 7350, 2992, 3062, 88, 263, 3621, 2254,0
149, 7400, 2960, 3094, 89, 248, 3600, 2291,0
150, 7450, 2927, 3125, 91, 233, 3578, 2327,0
151, 7500, 2894, 3156, 93, 219, 3555, 2364,0
152, 7550, 2860, 3186, 97, 206, 3532, 2400,0
153, 7600, 2827, 3216, 100, 193, 3509, 2437,0
154, 7650, 2793, 3245, 105, 181, 3484, 2473,0
155, 7700, 2758, 3274, 110, 170, 3460, 2509,0
156, 7750, 2724, 3303, 116, 159, 3435, 2545,0
157, 7800, 2689, 3331, 122, 149, 3409, 2581,0
158, 7850, 2654, 3359, 130, 140, 3383, 2616,0
159, 7900, 2619, 3386, 138, 131, 3356, 2651,0
160, 7950, 2583, 3413, 146, 123, 3329, 2687,0
161, 8000, 2548, 3440, 155, 116, 3301, 2722,0
162, 8050, 2512, 3465, 165, 109, 3273, 2756,0
163, 8100, 2476, 3491, 176, 103, 3245, 2791,0

164, 8150, 2440, 3516, 187, 98, 3216, 2825,0
165, 8200, 2404, 3540, 199, 93, 3186, 2859,0
166, 8250, 2367, 3564, 212, 89, 3156, 2893,0
167, 8300, 2331, 3587, 225, 86, 3126, 2926,0
168, 8350, 2294, 3610, 239, 83, 3096, 2959,0
169, 8400, 2257, 3632, 253, 82, 3065, 2992,0
170, 8450, 2220, 3654, 269, 80, 3033, 3025,0
171, 8500, 2184, 3675, 284, 80, 3002, 3057,0
172, 8550, 2147, 3695, 301, 80, 2969, 3089,0
173, 8600, 2110, 3715, 318, 81, 2937, 3120,0
174, 8650, 2073, 3734, 336, 83, 2904, 3151,0
175, 8700, 2036, 3753, 354, 85, 2871, 3182,0
176, 8750, 1999, 3771, 373, 88, 2838, 3212,0
177, 8800, 1962, 3788, 392, 92, 2804, 3242,0
178, 8850, 1925, 3805, 412, 96, 2770, 3272,0
179, 8900, 1888, 3822, 433, 102, 2736, 3301,0
180, 8950, 1851, 3837, 454, 107, 2702, 3330,0
181, 9000, 1814, 3852, 476, 114, 2667, 3358,0
182, 9050, 1778, 3866, 498, 121, 2632, 3386,0
183, 9100, 1741, 3880, 521, 129, 2597, 3413,0
184, 9150, 1705, 3893, 545, 137, 2561, 3440,0
185, 9200, 1668, 3906, 569, 147, 2526, 3466,0
186, 9250, 1632, 3917, 593, 157, 2490, 3492,0

187, 9300, 1596, 3928, 618, 167, 2454, 3517,0
188, 9350, 1560, 3939, 644, 178, 2418, 3542,0
189, 9400, 1524, 3948, 670, 190, 2382, 3567,0
190, 9450, 1488, 3958, 697, 203, 2346, 3590,0
191, 9500, 1453, 3966, 724, 216, 2309, 3614,0
192, 9550, 1418, 3974, 751, 230, 2272, 3636,0
193, 9600, 1383, 3981, 779, 244, 2236, 3659,0
194, 9650, 1348, 3987, 808, 260, 2199, 3680,0
195, 9700, 1314, 3993, 836, 275, 2162, 3701,0
196, 9750, 1279, 3997, 866, 292, 2125, 3722,0
197, 9800, 1245, 4002, 895, 309, 2088, 3742,0
198, 9850, 1212, 4005, 926, 327, 2052, 3761,0
199, 9900, 1178, 4008, 956, 345, 2015, 3780,0
200, 9950, 1145, 4010, 987, 364, 1978, 3798,0
201, 10000, 1112, 4012, 1018, 383, 1941, 3815,0
202, 10050, 1080, 4013, 1050, 403, 1904, 3832,0
203, 10100, 1048, 4013, 1082, 424, 1867, 3849,0
204, 10150, 1016, 4012, 1114, 445, 1830, 3864,0
205, 10200, 985, 4011, 1147, 467, 1793, 3879,0
206, 10250, 954, 4009, 1180, 489, 1757, 3894,0
207, 10300, 923, 4006, 1214, 512, 1720, 3907,0
208, 10350, 893, 4002, 1247, 536, 1684, 3920,0
209, 10400, 863, 3998, 1281, 560, 1647, 3933,0

210, 10450, 834, 3994, 1315, 584, 1611, 3945,0
211, 10500, 805, 3988, 1350, 609, 1575, 3956,0
212, 10550, 776, 3982, 1385, 635, 1539, 3966,0
213, 10600, 748, 3975, 1419, 661, 1503, 3976,0
214, 10650, 721, 3967, 1455, 687, 1468, 3985,0
215, 10700, 693, 3959, 1490, 714, 1432, 3994,0
216, 10750, 667, 3950, 1526, 742, 1397, 4001,0
217, 10800, 641, 3941, 1561, 770, 1362, 4008,0
218, 10850, 615, 3930, 1597, 798, 1327, 4015,0
219, 10900, 590, 3919, 1634, 827, 1293, 4020,0
220, 10950, 565, 3908, 1670, 856, 1259, 4026,0
221, 11000, 541, 3896, 1706, 886, 1225, 4030,0
222, 11050, 517, 3883, 1743, 916, 1191, 4033,0
223, 11100, 494, 3869, 1779, 947, 1158, 4036,0
224, 11150, 472, 3855, 1816, 978, 1124, 4039,0
225, 11200, 450, 3840, 1853, 1009, 1092, 4040,0
226, 11250, 428, 3824, 1890, 1041, 1059, 4041,0
227, 11300, 408, 3808, 1927, 1073, 1027, 4041,0
228, 11350, 387, 3791, 1964, 1105, 995, 4041,0
229, 11400, 368, 3774, 2001, 1138, 964, 4039,0
230, 11450, 349, 3756, 2038, 1171, 933, 4037,0
231, 11500, 330, 3737, 2075, 1204, 902, 4035,0
232, 11550, 312, 3718, 2112, 1238, 872, 4031,0

233, 11600, 295, 3698, 2149, 1272, 842, 4027,0
234, 11650, 279, 3678, 2186, 1306, 813, 4023,0
235, 11700, 263, 3657, 2223, 1340, 784, 4017,0
236, 11750, 247, 3636, 2260, 1375, 755, 4011,0
237, 11800, 233, 3613, 2297, 1410, 727, 4004,0
238, 11850, 219, 3591, 2334, 1445, 699, 3997,0
239, 11900, 205, 3567, 2370, 1481, 672, 3989,0
240, 11950, 192, 3544, 2407, 1516, 646, 3980,0
241, 12000, 180, 3519, 2443, 1552, 619, 3970,0
242, 12050, 169, 3495, 2480, 1588, 594, 3960,0
243, 12100, 158, 3469, 2516, 1624, 568, 3949,0
244, 12150, 148, 3443, 2552, 1661, 544, 3938,0
245, 12200, 139, 3417, 2588, 1697, 520, 3926,0
246, 12250, 130, 3390, 2623, 1734, 496, 3913,0
247, 12300, 122, 3363, 2659, 1770, 473, 3899,0
248, 12350, 114, 3335, 2694, 1807, 450, 3885,0
249, 12400, 108, 3307, 2729, 1844, 428, 3870,0
250, 12450, 102, 3278, 2763, 1881, 407, 3855,0
251, 12500, 96, 3249, 2798, 1918, 386, 3839,0
252, 12550, 92, 3219, 2832, 1955, 366, 3822,0
253, 12600, 88, 3189, 2866, 1992, 346, 3805,0
254, 12650, 85, 3159, 2900, 2029, 327, 3787,0
255, 12700, 82, 3128, 2933, 2066, 308, 3769,0

256, 12750, 80, 3097, 2966, 2103, 290, 3750,0
257, 12800, 79, 3066, 2999, 2141, 273, 3730,0
258, 12850, 79, 3034, 3031, 2178, 256, 3709,0
259, 12900, 79, 3001, 3063, 2215, 240, 3689,0
260, 12950, 80, 2969, 3095, 2252, 225, 3667,0
261, 13000, 82, 2936, 3126, 2288, 210, 3645,0
262, 13050, 84, 2903, 3157, 2325, 196, 3623,0
263, 13100, 87, 2869, 3188, 2362, 183, 3599,0
264, 13150, 91, 2835, 3218, 2398, 170, 3576,0
265, 13200, 95, 2801, 3247, 2435, 158, 3552,0
266, 13250, 100, 2767, 3277, 2471, 146, 3527,0
267, 13300, 106, 2732, 3306, 2507, 135, 3502,0
268, 13350, 113, 2697, 3334, 2543, 125, 3476,0
269, 13400, 120, 2662, 3362, 2579, 116, 3450,0
270, 13450, 128, 2626, 3389, 2615, 107, 3423,0
271, 13500, 137, 2591, 3416, 2650, 99, 3396,0
272, 13550, 146, 2555, 3443, 2686, 91, 3368,0
273, 13600, 156, 2519, 3469, 2721, 84, 3340,0
274, 13650, 166, 2483, 3495, 2755, 78, 3311,0
275, 13700, 178, 2447, 3520, 2790, 73, 3282,0
276, 13750, 190, 2410, 3544, 2824, 68, 3253,0
277, 13800, 202, 2374, 3568, 2858, 64, 3223,0
278, 13850, 216, 2337, 3592, 2892, 61, 3192,0

279, 13900, 229, 2300, 3614, 2925, 58, 3162,0
280, 13950, 244, 2263, 3637, 2958, 56, 3131,0
281, 14000, 259, 2226, 3658, 2991, 55, 3099,0
282, 14050, 275, 2189, 3680, 3024, 54, 3067,0
283, 14100, 292, 2152, 3700, 3056, 55, 3035,0
284, 14150, 309, 2115, 3720, 3087, 55, 3003,0
285, 14200, 326, 2078, 3740, 3119, 57, 2970,0
286, 14250, 345, 2041, 3759, 3150, 59, 2937,0
287, 14300, 364, 2004, 3777, 3180, 62, 2903,0
288, 14350, 383, 1967, 3794, 3210, 66, 2869,0
289, 14400, 403, 1929, 3811, 3240, 70, 2835,0
290, 14450, 424, 1892, 3828, 3270, 75, 2801,0
291, 14500, 445, 1855, 3844, 3299, 81, 2766,0
292, 14550, 467, 1818, 3859, 3327, 88, 2732,0
293, 14600, 490, 1782, 3873, 3355, 95, 2696,0
294, 14650, 513, 1745, 3887, 3383, 102, 2661,0
295, 14700, 536, 1708, 3900, 3410, 111, 2626,0
296, 14750, 560, 1671, 3913, 3436, 120, 2590,0
297, 14800, 585, 1635, 3925, 3462, 130, 2554,0
298, 14850, 610, 1599, 3936, 3488, 140, 2518,0
299, 14900, 636, 1563, 3946, 3513, 152, 2482,0
300, 14950, 662, 1527, 3956, 3538, 163, 2445,0
301, 15000, 689, 1491, 3965, 3562, 176, 2409,0

302, 15050, 716, 1455, 3974, 3585, 189, 2372,0
303, 15100, 743, 1420, 3982, 3608, 203, 2336,0
304, 15150, 771, 1385, 3989, 3630, 217, 2299,0
305, 15200, 800, 1350, 3995, 3652, 233, 2262,0
306, 15250, 829, 1315, 4001, 3674, 248, 2225,0
307, 15300, 858, 1281, 4006, 3694, 265, 2188,0
308, 15350, 888, 1247, 4010, 3714, 282, 2151,0
309, 15400, 918, 1213, 4014, 3734, 299, 2114,0
310, 15450, 949, 1179, 4017, 3753, 318, 2077,0
311, 15500, 980, 1146, 4019, 3771, 336, 2039,0
312, 15550, 1011, 1113, 4021, 3789, 356, 2002,0
313, 15600, 1043, 1080, 4021, 3806, 376, 1965,0
314, 15650, 1075, 1048, 4022, 3822, 396, 1928,0
315, 15700, 1108, 1016, 4021, 3838, 418, 1891,0
316, 15750, 1141, 984, 4020, 3853, 439, 1854,0
317, 15800, 1174, 953, 4018, 3868, 462, 1818,0
318, 15850, 1207, 922, 4015, 3882, 485, 1781,0
319, 15900, 1241, 892, 4012, 3895, 508, 1744,0
320, 15950, 1275, 862, 4008, 3908, 532, 1708,0
321, 16000, 1310, 832, 4003, 3919, 557, 1671,0
322, 16050, 1344, 803, 3997, 3931, 582, 1635,0
323, 16100, 1379, 775, 3991, 3941, 607, 1599,0
324, 16150, 1414, 746, 3985, 3951, 633, 1563,0

325, 16200, 1450, 719, 3977, 3960, 660, 1527,0
326, 16250, 1485, 691, 3969, 3969, 687, 1491,0
327, 16300, 1521, 664, 3960, 3977, 714, 1456,0
328, 16350, 1557, 638, 3950, 3984, 742, 1421,0
329, 16400, 1593, 612, 3940, 3990, 771, 1386,0
330, 16450, 1629, 587, 3929, 3996, 800, 1351,0
331, 16500, 1666, 562, 3918, 4001, 829, 1317,0
332, 16550, 1702, 538, 3905, 4006, 859, 1283,0
333, 16600, 1739, 514, 3892, 4010, 889, 1249,0
334, 16650, 1776, 491, 3879, 4013, 919, 1215,0
335, 16700, 1813, 468, 3865, 4015, 950, 1182,0
336, 16750, 1850, 446, 3850, 4016, 982, 1149,0
337, 16800, 1887, 424, 3834, 4017, 1013, 1117,0
338, 16850, 1924, 403, 3818, 4018, 1046, 1084,0
339, 16900, 1961, 383, 3801, 4017, 1078, 1052,0
340, 16950, 1998, 363, 3784, 4016, 1111, 1021,0
341, 17000, 2035, 344, 3766, 4014, 1144, 990,0
342, 17050, 2073, 325, 3747, 4011, 1177, 959,0
343, 17100, 2110, 307, 3728, 4008, 1211, 928,0
344, 17150, 2147, 290, 3708, 4004, 1245, 898,0
345, 17200, 2184, 273, 3688, 3999, 1279, 869,0
346, 17250, 2221, 257, 3667, 3994, 1314, 839,0
347, 17300, 2258, 242, 3645, 3988, 1349, 811,0

348, 17350, 2295, 227, 3623, 3981, 1384, 782,0
349, 17400, 2332, 213, 3600, 3974, 1419, 755,0
350, 17450, 2369, 199, 3577, 3966, 1454, 727,0
351, 17500, 2406, 186, 3553, 3957, 1490, 700,0
352, 17550, 2443, 174, 3529, 3947, 1526, 674,0
353, 17600, 2479, 162, 3504, 3937, 1562, 648,0
354, 17650, 2515, 151, 3479, 3926, 1598, 623,0
355, 17700, 2551, 141, 3453, 3915, 1635, 598,0
356, 17750, 2587, 132, 3426, 3902, 1671, 573,0
357, 17800, 2623, 123, 3399, 3890, 1708, 550,0
358, 17850, 2659, 115, 3372, 3876, 1745, 526,0
359, 17900, 2694, 107, 3344, 3862, 1781, 504,0
360, 17950, 2729, 100, 3316, 3847, 1818, 481,0
361, 18000, 2764, 94, 3287, 3832, 1855, 460,0
362, 18050, 2799, 89, 3258, 3815, 1892, 439,0
363, 18100, 2833, 84, 3228, 3799, 1930, 418,0
364, 18150, 2867, 80, 3198, 3781, 1967, 399,0
365, 18200, 2901, 77, 3168, 3763, 2004, 379,0
366, 18250, 2934, 74, 3137, 3745, 2041, 361,0
367, 18300, 2968, 72, 3106, 3726, 2078, 343,0
368, 18350, 3000, 71, 3074, 3706, 2116, 325,0
369, 18400, 3033, 70, 3042, 3685, 2153, 308,0
370, 18450, 3065, 71, 3010, 3664, 2190, 292,0

371, 18500, 3097, 71, 2977, 3643, 2227, 276,0
372, 18550, 3128, 73, 2944, 3621, 2264, 262,0
373, 18600, 3160, 75, 2910, 3598, 2301, 247,0
374, 18650, 3190, 78, 2877, 3575, 2338, 234,0
375, 18700, 3220, 82, 2843, 3551, 2374, 221,0
376, 18750, 3250, 86, 2808, 3527, 2411, 208,0
377, 18800, 3280, 91, 2774, 3502, 2447, 197,0
378, 18850, 3309, 97, 2739, 3477, 2484, 186,0
379, 18900, 3337, 104, 2704, 3451, 2520, 175,0
380, 18950, 3365, 111, 2669, 3424, 2556, 166,0
381, 19000, 3393, 119, 2633, 3397, 2591, 157,0
382, 19050, 3420, 127, 2598, 3370, 2627, 149,0
383, 19100, 3447, 136, 2562, 3342, 2662, 141,0
384, 19150, 3473, 146, 2526, 3314, 2698, 134,0
385, 19200, 3499, 157, 2489, 3285, 2732, 128,0
386, 19250, 3524, 168, 2453, 3256, 2767, 122,0
387, 19300, 3549, 180, 2416, 3226, 2801, 117,0
388, 19350, 3573, 193, 2380, 3196, 2836, 113,0
389, 19400, 3596, 206, 2343, 3166, 2869, 110,0
390, 19450, 3619, 220, 2306, 3135, 2903, 107,0
391, 19500, 3642, 234, 2269, 3104, 2936, 105,0
392, 19550, 3664, 250, 2232, 3072, 2969, 104,0
393, 19600, 3685, 265, 2195, 3040, 3002, 103,0

394, 19650, 3706, 282, 2157, 3008, 3034, 103,0
395, 19700, 3726, 299, 2120, 2975, 3066, 104,0
396, 19750, 3745, 317, 2083, 2942, 3097, 105,0
397, 19800, 3764, 335, 2046, 2909, 3128, 108,0
398, 19850, 3783, 354, 2008, 2875, 3159, 110,0
399, 19900, 3800, 374, 1971, 2841, 3189, 114,0
400, 19950, 3817, 394, 1934, 2807, 3219, 118,0
401, 20000, 3834, 414, 1896, 2772, 3249, 123,0
402, 20050, 3850, 436, 1859, 2737, 3278, 129,0
403, 20100, 3865, 458, 1822, 2702, 3306, 135,0
404, 20150, 3880, 480, 1785, 2667, 3334, 142,0
405, 20200, 3893, 503, 1748, 2632, 3362, 150,0
406, 20250, 3907, 527, 1711, 2596, 3389, 158,0
407, 20300, 3919, 551, 1675, 2560, 3416, 168,0
408, 20350, 3931, 575, 1638, 2524, 3442, 177,0
409, 20400, 3942, 601, 1602, 2488, 3468, 188,0
410, 20450, 3953, 626, 1565, 2451, 3493, 199,0
411, 20500, 3963, 653, 1529, 2415, 3518, 211,0
412, 20550, 3972, 679, 1493, 2378, 3542, 223,0
413, 20600, 3981, 706, 1457, 2341, 3566, 236,0
414, 20650, 3989, 734, 1422, 2304, 3589, 250,0
415, 20700, 3996, 762, 1387, 2267, 3611, 264,0
416, 20750, 4002, 791, 1351, 2230, 3633, 280,0

417, 20800, 4008, 820, 1317, 2193, 3655, 295,0
418, 20850, 4013, 849, 1282, 2156, 3676, 312,0
419, 20900, 4018, 879, 1248, 2118, 3696, 329,0
420, 20950, 4021, 909, 1214, 2081, 3715, 346,0
421, 21000, 4024, 940, 1180, 2044, 3734, 364,0
422, 21050, 4027, 971, 1146, 2006, 3753, 383,0
423, 21100, 4028, 1003, 1113, 1969, 3771, 403,0
424, 21150, 4029, 1035, 1081, 1932, 3788, 423,0
425, 21200, 4029, 1067, 1048, 1894, 3805, 443,0
426, 21250, 4029, 1100, 1016, 1857, 3820, 464,0
427, 21300, 4028, 1132, 984, 1820, 3836, 486,0
428, 21350, 4026, 1166, 953, 1783, 3850, 508,0
429, 21400, 4023, 1199, 922, 1746, 3864, 531,0
430, 21450, 4020, 1233, 891, 1709, 3878, 555,0
431, 21500, 4016, 1267, 861, 1672, 3891, 579,0
432, 21550, 4011, 1302, 831, 1636, 3903, 603,0
433, 21600, 4005, 1336, 802, 1599, 3914, 628,0
434, 21650, 3999, 1371, 773, 1563, 3925, 654,0
435, 21700, 3993, 1407, 745, 1527, 3935, 680,0
436, 21750, 3985, 1442, 717, 1491, 3944, 707,0
437, 21800, 3977, 1478, 689, 1455, 3953, 734,0
438, 21850, 3968, 1514, 662, 1419, 3961, 761,0
439, 21900, 3958, 1550, 636, 1384, 3968, 789,0

440, 21950, 3948, 1586, 610, 1349, 3975, 818,0
441, 22000, 3937, 1622, 584, 1314, 3981, 846,0
442, 22050, 3926, 1659, 559, 1279, 3986, 876,0
443, 22100, 3913, 1696, 535, 1245, 3990, 906,0
444, 22150, 3900, 1732, 511, 1211, 3994, 936,0
445, 22200, 3887, 1769, 488, 1177, 3997, 966,0
446, 22250, 3873, 1806, 465, 1144, 4000, 997,0
447, 22300, 3858, 1844, 442, 1110, 4001, 1029,0
448, 22350, 3842, 1881, 421, 1077, 4002, 1061,0
449, 22400, 3826, 1918, 400, 1045, 4003, 1093,0
450, 22450, 3809, 1955, 379, 1013, 4002, 1125,0
451, 22500, 3792, 1993, 359, 981, 4001, 1158,0
452, 22550, 3774, 2030, 340, 950, 3999, 1191,0
453, 22600, 3755, 2067, 321, 919, 3997, 1225,0
454, 22650, 3736, 2105, 303, 888, 3994, 1258,0
455, 22700, 3716, 2142, 285, 858, 3990, 1292,0
456, 22750, 3695, 2179, 269, 828, 3985, 1327,0
457, 22800, 3674, 2217, 252, 799, 3980, 1361,0
458, 22850, 3653, 2254, 237, 770, 3974, 1396,0
459, 22900, 3631, 2291, 222, 741, 3967, 1431,0
460, 22950, 3608, 2328, 207, 713, 3960, 1467,0
461, 23000, 3584, 2365, 194, 686, 3952, 1502,0
462, 23050, 3561, 2402, 181, 658, 3943, 1538,0

463, 23100, 3536, 2439, 168, 632, 3934, 1574,0
464, 23150, 3511, 2475, 157, 606, 3924, 1610,0
465, 23200, 3486, 2512, 146, 580, 3913, 1646,0
466, 23250, 3460, 2548, 135, 555, 3901, 1683,0
467, 23300, 3433, 2584, 126, 531, 3889, 1719,0
468, 23350, 3406, 2620, 117, 507, 3876, 1756,0
469, 23400, 3379, 2656, 108, 483, 3863, 1793,0
470, 23450, 3351, 2691, 101, 460, 3849, 1830,0
471, 23500, 3323, 2727, 94, 438, 3834, 1867,0
472, 23550, 3294, 2762, 88, 416, 3819, 1904,0
473, 23600, 3264, 2797, 82, 395, 3803, 1941,0
474, 23650, 3235, 2831, 77, 374, 3786, 1979,0
475, 23700, 3205, 2865, 73, 354, 3769, 2016,0
476, 23750, 3174, 2899, 70, 335, 3751, 2053,0
477, 23800, 3143, 2933, 67, 316, 3732, 2090,0
478, 23850, 3112, 2966, 65, 298, 3713, 2128,0
479, 23900, 3080, 2999, 64, 280, 3693, 2165,0
480, 23950, 3048, 3032, 63, 263, 3673, 2202,0
481, 24000, 3015, 3064, 63, 247, 3652, 2239,0
482, 24050, 2982, 3096, 64, 231, 3631, 2277,0
483, 24100, 2949, 3128, 66, 216, 3608, 2314,0
484, 24150, 2916, 3159, 68, 202, 3586, 2351,0
485, 24200, 2882, 3190, 71, 188, 3563, 2388,0

486, 24250, 2848, 3221, 74, 175, 3539, 2424,0
487, 24300, 2814, 3251, 79, 163, 3515, 2461,0
488, 24350, 2779, 3280, 84, 151, 3490, 2498,0
489, 24400, 2744, 3309, 89, 140, 3464, 2534,0
490, 24450, 2709, 3338, 96, 129, 3439, 2570,0
491, 24500, 2674, 3366, 103, 120, 3412, 2606,0
492, 24550, 2638, 3394, 111, 111, 3385, 2642,0
493, 24600, 2602, 3421, 119, 102, 3358, 2678,0
494, 24650, 2566, 3448, 128, 95, 3330, 2713,0
495, 24700, 2530, 3475, 138, 88, 3302, 2749,0
496, 24750, 2494, 3500, 149, 81, 3273, 2784,0
497, 24800, 2457, 3526, 160, 76, 3244, 2819,0
498, 24850, 2420, 3551, 172, 71, 3214, 2853,0
499, 24900, 2383, 3575, 184, 67, 3184, 2887,0
500, 24950, 2347, 3599, 198, 63, 3154, 2921,0
501, 25000, 2309, 3622, 212, 60, 3123, 2955,0
502, 25050, 2272, 3644, 226, 58, 3092, 2988,0
503, 25100, 2235, 3666, 241, 57, 3060, 3021,0
504, 25150, 2198, 3688, 257, 56, 3028, 3054,0
505, 25200, 2160, 3709, 274, 56, 2996, 3086,0
506, 25250, 2123, 3729, 291, 57, 2963, 3118,0
507, 25300, 2086, 3749, 308, 58, 2930, 3150,0
508, 25350, 2048, 3768, 327, 61, 2897, 3181,0

509, 25400, 2011, 3786, 346, 63, 2863, 3212,0
510, 25450, 1973, 3804, 365, 67, 2829, 3242,0
511, 25500, 1936, 3821, 385, 71, 2795, 3272,0
512, 25550, 1898, 3838, 406, 76, 2760, 3302,0
513, 25600, 1861, 3854, 427, 82, 2725, 3331,0
514, 25650, 1824, 3869, 449, 88, 2690, 3360,0
515, 25700, 1787, 3884, 472, 95, 2655, 3388,0
516, 25750, 1750, 3898, 495, 103, 2620, 3416,0
517, 25800, 1713, 3912, 518, 111, 2584, 3443,0
518, 25850, 1676, 3924, 543, 121, 2548, 3470,0
519, 25900, 1639, 3936, 567, 130, 2512, 3497,0
520, 25950, 1602, 3948, 592, 141, 2475, 3522,0
521, 26000, 1566, 3958, 618, 152, 2439, 3548,0
522, 26050, 1530, 3968, 644, 164, 2402, 3573,0
523, 26100, 1494, 3978, 671, 176, 2366, 3597,0
524, 26150, 1458, 3987, 698, 189, 2329, 3621,0
525, 26200, 1422, 3995, 726, 203, 2292, 3644,0
526, 26250, 1387, 4002, 754, 218, 2255, 3666,0
527, 26300, 1351, 4008, 783, 233, 2217, 3688,0
528, 26350, 1316, 4014, 812, 249, 2180, 3710,0
529, 26400, 1282, 4020, 841, 265, 2143, 3731,0
530, 26450, 1247, 4024, 871, 282, 2106, 3751,0
531, 26500, 1213, 4028, 902, 300, 2068, 3771,0

532, 26550, 1179, 4031, 933, 318, 2031, 3790,0
533, 26600, 1145, 4033, 964, 337, 1993, 3809,0
534, 26650, 1112, 4035, 995, 356, 1956, 3827,0
535, 26700, 1079, 4036, 1027, 377, 1919, 3844,0
536, 26750, 1047, 4036, 1060, 397, 1881, 3861,0
537, 26800, 1014, 4036, 1092, 419, 1844, 3877,0
538, 26850, 983, 4035, 1125, 440, 1807, 3892,0
539, 26900, 951, 4033, 1159, 463, 1770, 3907,0
540, 26950, 920, 4030, 1192, 486, 1733, 3921,0
541, 27000, 889, 4027, 1226, 509, 1696, 3935,0
542, 27050, 859, 4023, 1260, 533, 1659, 3947,0
543, 27100, 829, 4018, 1295, 558, 1622, 3959,0
544, 27150, 800, 4013, 1330, 583, 1586, 3971,0
545, 27200, 771, 4007, 1365, 609, 1549, 3982,0
546, 27250, 742, 4000, 1400, 635, 1513, 3992,0
547, 27300, 714, 3993, 1436, 662, 1477, 4001,0
548, 27350, 686, 3985, 1471, 689, 1441, 4010,0
549, 27400, 659, 3976, 1507, 717, 1405, 4018,0
550, 27450, 633, 3966, 1544, 745, 1370, 4026,0
551, 27500, 607, 3956, 1580, 773, 1335, 4032,0
552, 27550, 581, 3945, 1616, 802, 1300, 4038,0
553, 27600, 556, 3934, 1653, 832, 1265, 4044,0
554, 27650, 531, 3922, 1690, 862, 1230, 4048,0

555, 27700, 507, 3909, 1727, 892, 1196, 4052,0
556, 27750, 484, 3895, 1764, 923, 1162, 4055,0
557, 27800, 461, 3881, 1801, 954, 1129, 4058,0
558, 27850, 438, 3866, 1838, 986, 1095, 4060,0
559, 27900, 417, 3851, 1876, 1018, 1063, 4061,0
560, 27950, 395, 3834, 1913, 1050, 1030, 4061,0
561, 28000, 375, 3818, 1951, 1083, 998, 4061,0
562, 28050, 355, 3800, 1988, 1116, 966, 4060,0
563, 28100, 335, 3782, 2025, 1149, 934, 4058,0
564, 28150, 316, 3764, 2063, 1183, 903, 4055,0
565, 28200, 298, 3744, 2101, 1217, 872, 4052,0
566, 28250, 281, 3724, 2138, 1251, 842, 4049,0
567, 28300, 264, 3704, 2175, 1285, 812, 4044,0
568, 28350, 247, 3683, 2213, 1320, 783, 4039,0
569, 28400, 231, 3661, 2250, 1355, 754, 4033,0
570, 28450, 216, 3639, 2288, 1390, 725, 4026,0
571, 28500, 202, 3616, 2325, 1426, 697, 4019,0
572, 28550, 188, 3593, 2362, 1462, 669, 4011,0
573, 28600, 175, 3569, 2399, 1498, 642, 4002,0
574, 28650, 163, 3545, 2436, 1534, 615, 3993,0
575, 28700, 151, 3520, 2472, 1570, 589, 3983,0
576, 28750, 140, 3494, 2509, 1607, 564, 3972,0
577, 28800, 129, 3468, 2546, 1643, 538, 3960,0

578, 28850, 120, 3442, 2582, 1680, 514, 3948,0
579, 28900, 111, 3415, 2618, 1717, 490, 3936,0
580, 28950, 102, 3387, 2654, 1754, 466, 3922,0
581, 29000, 95, 3359, 2689, 1791, 443, 3908,0
582, 29050, 88, 3331, 2725, 1829, 421, 3893,0
583, 29100, 81, 3302, 2760, 1866, 399, 3878,0
584, 29150, 76, 3273, 2795, 1903, 377, 3862,0
585, 29200, 71, 3243, 2830, 1941, 357, 3845,0
586, 29250, 67, 3213, 2864, 1978, 337, 3828,0
587, 29300, 63, 3182, 2898, 2016, 317, 3810,0
588, 29350, 61, 3151, 2932, 2053, 298, 3792,0
589, 29400, 58, 3120, 2965, 2091, 280, 3772,0
590, 29450, 57, 3088, 2999, 2129, 262, 3753,0
591, 29500, 56, 3056, 3031, 2166, 245, 3732,0
592, 29550, 57, 3023, 3064, 2203, 229, 3711,0
593, 29600, 57, 2990, 3096, 2241, 213, 3690,0
594, 29650, 59, 2957, 3128, 2278, 198, 3668,0
595, 29700, 61, 2923, 3159, 2315, 183, 3645,0
596, 29750, 64, 2890, 3190, 2353, 169, 3622,0
597, 29800, 67, 2855, 3221, 2390, 156, 3598,0
598, 29850, 72, 2821, 3251, 2427, 144, 3574,0
599, 29900, 77, 2786, 3281, 2463, 132, 3549,0
600, 29950, 82, 2751, 3310, 2500, 121, 3524,0

601, 30000, 89, 2716, 3339, 2536, 110, 3498,0
602, 30050, 96, 2681, 3367, 2573, 100, 3471,0
603, 30100, 104, 2645, 3395, 2609, 91, 3445,0
604, 30150, 112, 2609, 3423, 2645, 83, 3417,0
605, 30200, 121, 2573, 3450, 2680, 75, 3389,0
606, 30250, 131, 2537, 3476, 2716, 68, 3361,0
607, 30300, 142, 2500, 3502, 2751, 61, 3332,0
608, 30350, 153, 2463, 3528, 2786, 56, 3303,0
609, 30400, 165, 2427, 3553, 2821, 51, 3273,0
610, 30450, 177, 2390, 3577, 2855, 46, 3243,0
611, 30500, 191, 2353, 3601, 2890, 43, 3213,0
612, 30550, 204, 2315, 3624, 2923, 40, 3182,0
613, 30600, 219, 2278, 3647, 2957, 38, 3151,0
614, 30650, 234, 2241, 3669, 2990, 36, 3119,0
615, 30700, 250, 2203, 3691, 3023, 35, 3087,0
616, 30750, 267, 2166, 3712, 3056, 35, 3054,0
617, 30800, 284, 2128, 3732, 3088, 36, 3022,0
618, 30850, 301, 2091, 3752, 3120, 37, 2989,0
619, 30900, 320, 2053, 3771, 3151, 39, 2955,0
620, 30950, 339, 2016, 3790, 3182, 42, 2921,0
621, 31000, 358, 1978, 3808, 3213, 46, 2887,0
622, 31050, 378, 1941, 3825, 3243, 50, 2853,0
623, 31100, 399, 1903, 3842, 3273, 55, 2818,0

624, 31150, 421, 1866, 3858, 3302, 60, 2783,0
625, 31200, 443, 1828, 3874, 3331, 67, 2748,0
626, 31250, 465, 1791, 3888, 3360, 73, 2713,0
627, 31300, 488, 1754, 3903, 3388, 81, 2677,0
628, 31350, 512, 1717, 3916, 3415, 89, 2641,0
629, 31400, 536, 1680, 3929, 3442, 99, 2605,0
630, 31450, 561, 1643, 3941, 3469, 108, 2569,0
631, 31500, 586, 1606, 3953, 3495, 119, 2533,0
632, 31550, 612, 1569, 3963, 3520, 130, 2496,0
633, 31600, 638, 1533, 3974, 3545, 141, 2460,0
634, 31650, 665, 1497, 3983, 3570, 154, 2423,0
635, 31700, 692, 1461, 3992, 3594, 167, 2386,0
636, 31750, 720, 1425, 4000, 3617, 181, 2349,0
637, 31800, 748, 1389, 4007, 3640, 195, 2311,0
638, 31850, 777, 1354, 4014, 3662, 210, 2274,0
639, 31900, 806, 1319, 4020, 3684, 226, 2237,0
640, 31950, 835, 1284, 4025, 3705, 242, 2199,0
641, 32000, 866, 1249, 4030, 3726, 259, 2162,0
642, 32050, 896, 1215, 4034, 3746, 277, 2125,0
643, 32100, 927, 1181, 4037, 3765, 295, 2087,0
644, 32150, 958, 1147, 4040, 3784, 314, 2050,0
645, 32200, 990, 1114, 4041, 3802, 333, 2012,0
646, 32250, 1022, 1081, 4042, 3819, 353, 1975,0

647, 32300, 1054, 1048, 4043, 3836, 374, 1937,0
648, 32350, 1087, 1016, 4042, 3852, 395, 1900,0
649, 32400, 1120, 984, 4041, 3868, 417, 1862,0
650, 32450, 1153, 952, 4040, 3883, 440, 1825,0
651, 32500, 1187, 921, 4037, 3897, 463, 1788,0
652, 32550, 1221, 890, 4034, 3910, 486, 1751,0
653, 32600, 1256, 859, 4030, 3923, 510, 1714,0
654, 32650, 1290, 829, 4025, 3936, 535, 1677,0
655, 32700, 1325, 800, 4020, 3947, 560, 1640,0
656, 32750, 1360, 771, 4014, 3958, 585, 1604,0
657, 32800, 1396, 742, 4007, 3968, 612, 1567,0
658, 32850, 1431, 714, 4000, 3978, 638, 1531,0
659, 32900, 1467, 686, 3992, 3987, 665, 1495,0
660, 32950, 1503, 659, 3983, 3995, 693, 1459,0
661, 33000, 1539, 632, 3974, 4002, 721, 1424,0
662, 33050, 1576, 606, 3964, 4009, 750, 1388,0
663, 33100, 1613, 580, 3953, 4015, 779, 1353,0
664, 33150, 1649, 555, 3941, 4021, 808, 1318,0
665, 33200, 1686, 530, 3929, 4025, 838, 1284,0
666, 33250, 1723, 506, 3916, 4029, 869, 1249,0
667, 33300, 1760, 482, 3903, 4033, 899, 1215,0
668, 33350, 1798, 459, 3889, 4035, 930, 1182,0
669, 33400, 1835, 436, 3874, 4037, 962, 1148,0

670, 33450, 1872, 415, 3858, 4038, 994, 1115,0
671, 33500, 1910, 393, 3842, 4039, 1026, 1082,0
672, 33550, 1948, 372, 3825, 4038, 1059, 1050,0
673, 33600, 1985, 352, 3808, 4037, 1092, 1018,0
674, 33650, 2023, 333, 3790, 4036, 1125, 986,0
675, 33700, 2060, 314, 3771, 4033, 1159, 955,0
676, 33750, 2098, 295, 3752, 4030, 1193, 924,0
677, 33800, 2136, 277, 3732, 4027, 1227, 894,0
678, 33850, 2173, 260, 3712, 4022, 1262, 864,0
679, 33900, 2211, 244, 3691, 4017, 1296, 834,0
680, 33950, 2248, 228, 3669, 4011, 1331, 805,0
681, 34000, 2286, 213, 3647, 4004, 1367, 776,0
682, 34050, 2323, 198, 3624, 3997, 1402, 748,0
683, 34100, 2360, 184, 3601, 3989, 1438, 720,0
684, 34150, 2397, 171, 3577, 3980, 1474, 693,0
685, 34200, 2434, 159, 3552, 3971, 1510, 666,0
686, 34250, 2471, 147, 3527, 3961, 1547, 640,0
687, 34300, 2508, 136, 3502, 3950, 1583, 614,0
688, 34350, 2544, 125, 3476, 3939, 1620, 588,0
689, 34400, 2581, 115, 3449, 3926, 1657, 564,0
690, 34450, 2617, 106, 3422, 3914, 1694, 540,0
691, 34500, 2653, 97, 3395, 3900, 1731, 516,0
692, 34550, 2689, 90, 3367, 3886, 1768, 493,0

693, 34600, 2724, 83, 3338, 3871, 1805, 470,0
694, 34650, 2760, 76, 3309, 3856, 1843, 448,0
695, 34700, 2795, 71, 3280, 3840, 1880, 427,0
696, 34750, 2829, 66, 3250, 3823, 1918, 406,0
697, 34800, 2864, 61, 3220, 3806, 1955, 385,0
698, 34850, 2898, 58, 3189, 3788, 1993, 366,0
699, 34900, 2932, 55, 3158, 3769, 2030, 347,0
700, 34950, 2966, 53, 3127, 3750, 2068, 328,0
701, 35000, 2999, 51, 3095, 3730, 2106, 310,0
702, 35050, 3032, 50, 3063, 3710, 2143, 293,0
703, 35100, 3065, 50, 3030, 3689, 2181, 277,0
704, 35150, 3097, 51, 2997, 3667, 2218, 261,0
705, 35200, 3129, 52, 2964, 3645, 2255, 246,0
706, 35250, 3160, 55, 2930, 3623, 2293, 231,0
707, 35300, 3191, 57, 2896, 3599, 2330, 217,0
708, 35350, 3222, 61, 2862, 3575, 2367, 204,0
709, 35400, 3252, 65, 2828, 3551, 2404, 191,0
710, 35450, 3282, 70, 2793, 3526, 2441, 179,0
711, 35500, 3312, 76, 2758, 3501, 2478, 168,0
712, 35550, 3341, 82, 2723, 3475, 2514, 157,0
713, 35600, 3369, 89, 2687, 3448, 2551, 147,0
714, 35650, 3397, 97, 2651, 3421, 2587, 138,0
715, 35700, 3425, 105, 2615, 3394, 2623, 129,0

716, 35750, 3452, 114, 2579, 3366, 2659, 121,0
717, 35800, 3479, 124, 2543, 3337, 2694, 114,0
718, 35850, 3505, 135, 2506, 3309, 2729, 107,0
719, 35900, 3530, 146, 2469, 3279, 2764, 102,0
720, 35950, 3555, 157, 2432, 3249, 2799, 97,0
721, 36000, 3580, 170, 2395, 3219, 2834, 92,0
722, 36050, 3604, 183, 2358, 3189, 2868, 88,0
723, 36100, 3627, 197, 2321, 3158, 2902, 85,0
724, 36150, 3650, 212, 2284, 3126, 2936, 83,0
725, 36200, 3672, 227, 2246, 3094, 2969, 82,0
726, 36250, 3694, 242, 2209, 3062, 3002, 81,0
727, 36300, 3715, 259, 2171, 3030, 3035, 81,0
728, 36350, 3736, 276, 2133, 2997, 3067, 81,0
729, 36400, 3755, 294, 2096, 2963, 3099, 82,0
730, 36450, 3775, 312, 2058, 2930, 3130, 84,0
731, 36500, 3794, 331, 2020, 2896, 3162, 87,0
732, 36550, 3812, 350, 1983, 2862, 3192, 90,0
733, 36600, 3829, 371, 1945, 2827, 3223, 94,0
734, 36650, 3846, 391, 1908, 2792, 3253, 99,0
735, 36700, 3862, 413, 1870, 2757, 3282, 105,0
736, 36750, 3878, 435, 1832, 2722, 3311, 111,0
737, 36800, 3893, 457, 1795, 2687, 3340, 118,0
738, 36850, 3907, 480, 1758, 2651, 3368, 125,0

739, 36900, 3920, 504, 1720, 2615, 3395, 134,0
740, 36950, 3933, 528, 1683, 2579, 3423, 143,0
741, 37000, 3946, 553, 1646, 2542, 3449, 152,0
742, 37050, 3957, 578, 1609, 2506, 3475, 162,0
743, 37100, 3968, 604, 1573, 2469, 3501, 173,0
744, 37150, 3978, 630, 1536, 2432, 3526, 185,0
745, 37200, 3988, 657, 1500, 2395, 3551, 198,0
746, 37250, 3997, 684, 1464, 2358, 3575, 211,0
747, 37300, 4005, 712, 1428, 2321, 3598, 224,0
748, 37350, 4012, 740, 1392, 2283, 3621, 239,0
749, 37400, 4019, 769, 1357, 2246, 3644, 254,0
750, 37450, 4025, 798, 1321, 2208, 3665, 269,0
751, 37500, 4031, 828, 1286, 2171, 3687, 286,0
752, 37550, 4035, 858, 1251, 2133, 3707, 302,0
753, 37600, 4039, 888, 1217, 2095, 3727, 320,0
754, 37650, 4042, 919, 1183, 2058, 3747, 338,0
755, 37700, 4045, 950, 1149, 2020, 3765, 357,0
756, 37750, 4047, 982, 1115, 1982, 3784, 376,0
757, 37800, 4048, 1014, 1082, 1945, 3801, 396,0
758, 37850, 4048, 1047, 1049, 1907, 3818, 417,0
759, 37900, 4048, 1079, 1017, 1869, 3834, 438,0
760, 37950, 4047, 1113, 985, 1832, 3850, 460,0
761, 38000, 4045, 1146, 953, 1794, 3865, 482,0

762, 38050, 4043, 1180, 922, 1757, 3880, 505,0
763, 38100, 4040, 1214, 891, 1720, 3893, 529,0
764, 38150, 4036, 1248, 860, 1683, 3906, 553,0
765, 38200, 4031, 1283, 830, 1646, 3919, 577,0
766, 38250, 4026, 1318, 800, 1609, 3930, 602,0
767, 38300, 4020, 1353, 771, 1572, 3941, 628,0
768, 38350, 4013, 1389, 742, 1535, 3952, 654,0
769, 38400, 4006, 1424, 714, 1499, 3961, 681,0
770, 38450, 3998, 1460, 686, 1463, 3970, 708,0
771, 38500, 3989, 1497, 658, 1427, 3979, 736,0
772, 38550, 3980, 1533, 631, 1391, 3986, 764,0
773, 38600, 3970, 1569, 605, 1356, 3993, 792,0
774, 38650, 3959, 1606, 579, 1320, 3999, 821,0
775, 38700, 3947, 1643, 554, 1285, 4005, 851,0
776, 38750, 3935, 1680, 529, 1250, 4010, 881,0
777, 38800, 3922, 1717, 505, 1216, 4014, 911,0
778, 38850, 3909, 1754, 481, 1182, 4017, 942,0
779, 38900, 3895, 1792, 458, 1148, 4020, 973,0
780, 38950, 3880, 1829, 435, 1114, 4022, 1005,0
781, 39000, 3864, 1867, 413, 1081, 4023, 1036,0
782, 39050, 3848, 1904, 391, 1048, 4024, 1069,0
783, 39100, 3831, 1942, 370, 1015, 4023, 1101,0
784, 39150, 3814, 1980, 350, 983, 4023, 1134,0

785, 39200, 3796, 2017, 330, 951, 4021, 1168,0
786, 39250, 3777, 2055, 311, 920, 4019, 1201,0
787, 39300, 3758, 2093, 293, 889, 4016, 1235,0
788, 39350, 3738, 2130, 275, 858, 4012, 1270,0
789, 39400, 3718, 2168, 258, 828, 4008, 1304,0
790, 39450, 3697, 2206, 241, 798, 4003, 1339,0
791, 39500, 3675, 2243, 225, 769, 3997, 1374,0
792, 39550, 3653, 2281, 210, 740, 3990, 1410,0
793, 39600, 3630, 2318, 195, 711, 3983, 1445,0
794, 39650, 3607, 2356, 181, 684, 3975, 1481,0
795, 39700, 3583, 2393, 168, 656, 3966, 1517,0
796, 39750, 3558, 2430, 155, 629, 3957, 1553,0
797, 39800, 3533, 2467, 143, 603, 3947, 1590,0
798, 39850, 3508, 2504, 132, 577, 3937, 1626,0
799, 39900, 3482, 2541, 121, 551, 3925, 1663,0
800, 39950, 3455, 2577, 111, 526, 3913, 1700,0
801, 40000, 3428, 2613, 102, 502, 3900, 1737,0
802, 40050, 3400, 2650, 93, 478, 3887, 1774,0
803, 40100, 3372, 2685, 85, 455, 3873, 1811,0
804, 40150, 3344, 2721, 78, 432, 3858, 1849,0
805, 40200, 3315, 2757, 72, 410, 3843, 1886,0
806, 40250, 3285, 2792, 66, 388, 3827, 1924,0
807, 40300, 3255, 2827, 61, 367, 3811, 1961,0

808, 40350, 3225, 2861, 57, 347, 3793, 1999,0
809, 40400, 3194, 2896, 53, 327, 3775, 2036,0
810, 40450, 3163, 2930, 50, 308, 3757, 2074,0
811, 40500, 3132, 2964, 48, 289, 3738, 2112,0
812, 40550, 3100, 2997, 46, 271, 3718, 2149,0
813, 40600, 3068, 3030, 45, 254, 3698, 2187,0
814, 40650, 3035, 3063, 45, 237, 3677, 2224,0
815, 40700, 3002, 3095, 46, 221, 3655, 2262,0
816, 40750, 2969, 3127, 47, 206, 3633, 2299,0
817, 40800, 2935, 3159, 49, 191, 3611, 2337,0
818, 40850, 2901, 3190, 52, 177, 3587, 2374,0
819, 40900, 2867, 3221, 55, 164, 3564, 2411,0
820, 40950, 2832, 3251, 59, 151, 3539, 2448,0
821, 41000, 2797, 3281, 64, 139, 3514, 2485,0
822, 41050, 2762, 3311, 70, 127, 3489, 2522,0
823, 41100, 2727, 3340, 76, 117, 3463, 2559,0
824, 41150, 2691, 3369, 83, 107, 3437, 2595,0
825, 41200, 2655, 3397, 91, 97, 3410, 2631,0
826, 41250, 2619, 3425, 99, 89, 3382, 2667,0
827, 41300, 2583, 3452, 108, 81, 3354, 2703,0
828, 41350, 2546, 3478, 118, 73, 3326, 2739,0
829, 41400, 2510, 3505, 128, 67, 3297, 2774,0
830, 41450, 2473, 3530, 139, 61, 3268, 2810,0

831, 41500, 2436, 3556, 151, 56, 3238, 2844,0
832, 41550, 2399, 3580, 164, 51, 3208, 2879,0
833, 41600, 2362, 3604, 177, 47, 3177, 2913,0
834, 41650, 2324, 3628, 191, 44, 3146, 2947,0
835, 41700, 2287, 3651, 205, 42, 3115, 2981,0
836, 41750, 2249, 3673, 220, 40, 3083, 3015,0
837, 41800, 2212, 3695, 236, 39, 3051, 3048,0
838, 41850, 2174, 3716, 252, 39, 3019, 3080,0
839, 41900, 2136, 3737, 269, 40, 2986, 3113,0
840, 41950, 2098, 3757, 287, 41, 2952, 3145,0
841, 42000, 2061, 3777, 305, 43, 2919, 3176,0
842, 42050, 2023, 3795, 324, 46, 2885, 3208,0
843, 42100, 1985, 3814, 344, 49, 2851, 3239,0
844, 42150, 1947, 3831, 364, 53, 2816, 3269,0
845, 42200, 1910, 3848, 385, 58, 2782, 3299,0
846, 42250, 1872, 3865, 406, 63, 2747, 3329,0
847, 42300, 1834, 3880, 428, 69, 2711, 3358,0
848, 42350, 1797, 3895, 450, 76, 2676, 3386,0
849, 42400, 1759, 3910, 473, 84, 2640, 3415,0
850, 42450, 1722, 3923, 497, 92, 2604, 3442,0
851, 42500, 1685, 3936, 521, 101, 2568, 3470,0
852, 42550, 1648, 3949, 546, 111, 2532, 3496,0
853, 42600, 1611, 3960, 571, 121, 2495, 3523,0

854, 42650, 1574, 3971, 597, 132, 2458, 3548,0
855, 42700, 1537, 3982, 623, 144, 2421, 3574,0
856, 42750, 1501, 3991, 650, 156, 2384, 3598,0
857, 42800, 1465, 4000, 677, 169, 2347, 3622,0
858, 42850, 1429, 4009, 705, 183, 2310, 3646,0
859, 42900, 1393, 4016, 734, 197, 2272, 3669,0
860, 42950, 1357, 4023, 762, 212, 2235, 3691,0
861, 43000, 1322, 4029, 791, 228, 2197, 3713,0
862, 43050, 1287, 4035, 821, 244, 2160, 3735,0
863, 43100, 1252, 4040, 851, 261, 2122, 3755,0
864, 43150, 1217, 4044, 882, 279, 2085, 3775,0
865, 43200, 1183, 4047, 913, 297, 2047, 3795,0
866, 43250, 1149, 4050, 944, 316, 2009, 3814,0
867, 43300, 1115, 4052, 976, 336, 1971, 3832,0
868, 43350, 1082, 4053, 1008, 356, 1934, 3850,0
869, 43400, 1049, 4053, 1040, 376, 1896, 3867,0
870, 43450, 1016, 4053, 1073, 398, 1858, 3883,0
871, 43500, 984, 4052, 1106, 419, 1821, 3899,0
872, 43550, 952, 4050, 1140, 442, 1783, 3914,0
873, 43600, 921, 4048, 1174, 465, 1746, 3929,0
874, 43650, 890, 4045, 1208, 488, 1709, 3942,0
875, 43700, 859, 4041, 1242, 513, 1671, 3956,0
876, 43750, 829, 4037, 1277, 537, 1634, 3968,0

877, 43800, 799, 4032, 1312, 562, 1597, 3980,0
878, 43850, 770, 4026, 1347, 588, 1561, 3991,0
879, 43900, 741, 4019, 1383, 614, 1524, 4001,0
880, 43950, 712, 4012, 1419, 641, 1488, 4011,0
881, 44000, 684, 4004, 1455, 668, 1451, 4020,0
882, 44050, 657, 3995, 1491, 696, 1415, 4029,0
883, 44100, 630, 3986, 1527, 724, 1380, 4036,0
884, 44150, 603, 3976, 1564, 753, 1344, 4043,0
885, 44200, 577, 3965, 1601, 782, 1309, 4050,0
886, 44250, 552, 3954, 1637, 812, 1273, 4055,0
887, 44300, 527, 3941, 1675, 842, 1239, 4060,0
888, 44350, 502, 3929, 1712, 872, 1204, 4064,0
889, 44400, 478, 3915, 1749, 903, 1170, 4068,0
890, 44450, 455, 3901, 1787, 934, 1136, 4070,0
891, 44500, 432, 3886, 1824, 966, 1102, 4072,0
892, 44550, 410, 3871, 1862, 998, 1069, 4074,0
893, 44600, 389, 3855, 1899, 1031, 1036, 4074,0
894, 44650, 368, 3838, 1937, 1063, 1003, 4074,0
895, 44700, 347, 3821, 1975, 1097, 971, 4074,0
896, 44750, 327, 3803, 2013, 1130, 939, 4072,0
897, 44800, 308, 3784, 2051, 1164, 907, 4070,0
898, 44850, 290, 3765, 2088, 1198, 876, 4067,0
899, 44900, 272, 3745, 2126, 1232, 846, 4063,0

900, 44950, 254, 3725, 2164, 1267, 815, 4059,0
901, 45000, 238, 3704, 2202, 1302, 785, 4054,0
902, 45050, 222, 3682, 2239, 1337, 756, 4048,0
903, 45100, 206, 3660, 2277, 1373, 727, 4042,0
904, 45150, 192, 3637, 2315, 1409, 699, 4034,0
905, 45200, 178, 3614, 2352, 1445, 671, 4027,0
906, 45250, 164, 3590, 2389, 1481, 643, 4018,0
907, 45300, 151, 3565, 2427, 1517, 616, 4009,0
908, 45350, 139, 3540, 2464, 1554, 589, 3999,0
909, 45400, 128, 3515, 2501, 1591, 563, 3988,0
910, 45450, 117, 3489, 2537, 1628, 538, 3977,0
911, 45500, 107, 3462, 2574, 1665, 513, 3965,0
912, 45550, 98, 3435, 2610, 1702, 488, 3952,0
913, 45600, 89, 3407, 2647, 1739, 464, 3939,0
914, 45650, 81, 3379, 2683, 1777, 441, 3925,0
915, 45700, 74, 3351, 2718, 1814, 418, 3910,0
916, 45750, 67, 3322, 2754, 1852, 396, 3895,0
917, 45800, 62, 3292, 2789, 1889, 374, 3879,0
918, 45850, 56, 3263, 2824, 1927, 353, 3863,0
919, 45900, 52, 3232, 2859, 1965, 333, 3845,0
920, 45950, 48, 3202, 2894, 2003, 313, 3828,0
921, 46000, 45, 3170, 2928, 2041, 293, 3809,0
922, 46050, 43, 3139, 2962, 2078, 275, 3790,0

923, 46100, 41, 3107, 2995, 2116, 257, 3770,0
924, 46150, 41, 3075, 3028, 2154, 239, 3750,0
925, 46200, 40, 3042, 3061, 2192, 223, 3729,0
926, 46250, 41, 3009, 3094, 2230, 206, 3708,0
927, 46300, 42, 2975, 3126, 2267, 191, 3686,0
928, 46350, 44, 2942, 3158, 2305, 176, 3663,0
929, 46400, 47, 2908, 3189, 2342, 162, 3640,0
930, 46450, 50, 2873, 3220, 2380, 148, 3616,0
931, 46500, 54, 2839, 3251, 2417, 136, 3592,0
932, 46550, 59, 2804, 3281, 2454, 123, 3567,0
933, 46600, 65, 2769, 3310, 2491, 112, 3541,0
934, 46650, 71, 2733, 3340, 2528, 101, 3515,0
935, 46700, 78, 2698, 3368, 2564, 91, 3489,0
936, 46750, 86, 2662, 3397, 2601, 81, 3462,0
937, 46800, 94, 2626, 3424, 2637, 73, 3435,0
938, 46850, 103, 2589, 3452, 2673, 65, 3407,0
939, 46900, 113, 2553, 3479, 2709, 57, 3378,0
940, 46950, 123, 2516, 3505, 2745, 50, 3350,0
941, 47000, 134, 2479, 3531, 2780, 45, 3320,0
942, 47050, 146, 2442, 3556, 2815, 39, 3291,0
943, 47100, 158, 2405, 3581, 2850, 35, 3260,0
944, 47150, 171, 2368, 3605, 2885, 31, 3230,0
945, 47200, 185, 2330, 3629, 2919, 28, 3199,0

946, 47250, 200, 2293, 3652, 2953, 25, 3167,0
947, 47300, 215, 2255, 3674, 2986, 24, 3135,0
948, 47350, 231, 2217, 3696, 3020, 23, 3103,0
949, 47400, 247, 2179, 3718, 3053, 22, 3071,0
950, 47450, 264, 2142, 3739, 3085, 23, 3038,0
951, 47500, 282, 2104, 3759, 3117, 24, 3005,0
952, 47550, 300, 2066, 3778, 3149, 26, 2971,0
953, 47600, 319, 2028, 3797, 3181, 28, 2937,0
954, 47650, 338, 1990, 3816, 3212, 31, 2903,0
955, 47700, 359, 1952, 3833, 3242, 35, 2868,0
956, 47750, 379, 1915, 3850, 3272, 40, 2834,0
957, 47800, 401, 1877, 3867, 3302, 45, 2798,0
958, 47850, 423, 1839, 3883, 3331, 51, 2763,0
959, 47900, 445, 1802, 3898, 3360, 58, 2728,0
960, 47950, 468, 1764, 3912, 3389, 66, 2692,0
961, 48000, 492, 1727, 3926, 3417, 74, 2656,0
962, 48050, 516, 1689, 3939, 3444, 83, 2619,0
963, 48100, 541, 1652, 3952, 3471, 92, 2583,0
964, 48150, 566, 1615, 3964, 3497, 103, 2546,0
965, 48200, 592, 1578, 3975, 3523, 114, 2510,0
966, 48250, 618, 1541, 3985, 3549, 125, 2473,0
967, 48300, 645, 1505, 3995, 3573, 138, 2436,0
968, 48350, 672, 1468, 4004, 3598, 150, 2398,0

969, 48400, 700, 1432, 4012, 3621, 164, 2361,0
970, 48450, 729, 1396, 4020, 3645, 178, 2324,0
971, 48500, 757, 1361, 4027, 3667, 193, 2286,0
972, 48550, 787, 1325, 4033, 3689, 209, 2248,0
973, 48600, 816, 1290, 4039, 3711, 225, 2211,0
974, 48650, 846, 1255, 4044, 3732, 242, 2173,0
975, 48700, 877, 1220, 4048, 3752, 260, 2135,0
976, 48750, 908, 1186, 4051, 3772, 278, 2098,0
977, 48800, 939, 1152, 4054, 3791, 297, 2060,0
978, 48850, 971, 1118, 4056, 3809, 316, 2022,0
979, 48900, 1003, 1085, 4057, 3827, 336, 1984,0
980, 48950, 1036, 1051, 4058, 3844, 357, 1946,0
981, 49000, 1069, 1019, 4058, 3861, 378, 1909,0
982, 49050, 1102, 986, 4057, 3876, 400, 1871,0
983, 49100, 1135, 954, 4055, 3892, 422, 1833,0
984, 49150, 1169, 923, 4053, 3906, 445, 1796,0
985, 49200, 1203, 891, 4050, 3920, 468, 1759,0
986, 49250, 1238, 861, 4046, 3933, 492, 1721,0
987, 49300, 1273, 830, 4042, 3946, 517, 1684,0
988, 49350, 1308, 800, 4037, 3958, 542, 1647,0
989, 49400, 1343, 771, 4031, 3969, 568, 1610,0
990, 49450, 1379, 742, 4025, 3980, 594, 1574,0
991, 49500, 1415, 713, 4017, 3990, 621, 1537,0

992, 49550, 1451, 685, 4009, 3999, 648, 1501,0
993, 49600, 1487, 657, 4001, 4007, 676, 1465,0
994, 49650, 1523, 630, 3991, 4015, 704, 1429,0
995, 49700, 1560, 604, 3981, 4022, 732, 1393,0
996, 49750, 1597, 578, 3971, 4028, 762, 1357,0
997, 49800, 1634, 552, 3959, 4034, 791, 1322,0
998, 49850, 1671, 527, 3947, 4039, 821, 1287,0
999, 49900, 1708, 502, 3935, 4043, 852, 1253,0
1000, 49950, 1746, 478, 3921, 4047, 882, 1218,0
1001, 50000, 1783, 455, 3907, 4050, 914, 1184,0
1002, 50050, 1821, 432, 3892, 4052, 945, 1150,0
1003, 50100, 1859, 410, 3877, 4053, 977, 1117,0
1004, 50150, 1896, 388, 3861, 4054, 1010, 1084,0
1005, 50200, 1934, 367, 3844, 4054, 1043, 1051,0
1006, 50250, 1972, 346, 3827, 4053, 1076, 1019,0
1007, 50300, 2010, 326, 3809, 4052, 1109, 987,0
1008, 50350, 2048, 307, 3790, 4049, 1143, 955,0
1009, 50400, 2086, 288, 3771, 4047, 1177, 924,0
1010, 50450, 2124, 270, 3751, 4043, 1211, 893,0
1011, 50500, 2161, 253, 3731, 4039, 1246, 863,0
1012, 50550, 2199, 236, 3710, 4034, 1281, 833,0
1013, 50600, 2237, 220, 3688, 4028, 1316, 803,0
1014, 50650, 2275, 204, 3666, 4022, 1352, 774,0

1015, 50700, 2312, 190, 3643, 4014, 1388, 745,0
1016, 50750, 2350, 175, 3620, 4007, 1424, 717,0
1017, 50800, 2387, 162, 3596, 3998, 1460, 689,0
1018, 50850, 2425, 149, 3572, 3989, 1496, 662,0
1019, 50900, 2462, 137, 3547, 3979, 1533, 636,0
1020, 50950, 2499, 125, 3521, 3968, 1569, 609,0
1021, 51000, 2536, 114, 3495, 3957, 1606, 584,0
1022, 51050, 2572, 104, 3469, 3945, 1643, 559,0
1023, 51100, 2609, 95, 3441, 3932, 1681, 534,0
1024, 51150, 2645, 86, 3414, 3919, 1718, 510,0
1025, 51200, 2681, 78, 3386, 3905, 1755, 486,0
1026, 51250, 2717, 71, 3357, 3890, 1793, 463,0
1027, 51300, 2753, 64, 3328, 3875, 1831, 441,0
1028, 51350, 2788, 58, 3299, 3859, 1868, 419,0
1029, 51400, 2824, 53, 3269, 3843, 1906, 398,0
1030, 51450, 2858, 48, 3239, 3825, 1944, 378,0
1031, 51500, 2893, 44, 3208, 3807, 1982, 358,0
1032, 51550, 2927, 41, 3177, 3789, 2020, 338,0
1033, 51600, 2961, 39, 3145, 3770, 2057, 319,0
1034, 51650, 2995, 37, 3113, 3750, 2095, 301,0
1035, 51700, 3028, 36, 3081, 3730, 2133, 284,0
1036, 51750, 3061, 36, 3048, 3709, 2171, 267,0
1037, 51800, 3094, 36, 3015, 3687, 2209, 250,0

1038, 51850, 3126, 38, 2982, 3665, 2246, 235,0
1039, 51900, 3158, 40, 2948, 3643, 2284, 220,0
1040, 51950, 3189, 42, 2914, 3619, 2321, 206,0
1041, 52000, 3220, 45, 2880, 3595, 2359, 192,0
1042, 52050, 3251, 49, 2845, 3571, 2396, 179,0
1043, 52100, 3281, 54, 2810, 3546, 2433, 167,0
1044, 52150, 3311, 60, 2775, 3521, 2470, 155,0
1045, 52200, 3340, 66, 2739, 3495, 2507, 144,0
1046, 52250, 3369, 73, 2703, 3468, 2544, 134,0
1047, 52300, 3397, 80, 2668, 3441, 2580, 124,0
1048, 52350, 3425, 88, 2631, 3414, 2617, 115,0
1049, 52400, 3453, 97, 2595, 3386, 2653, 107,0
1050, 52450, 3480, 107, 2558, 3357, 2689, 100,0
1051, 52500, 3506, 117, 2522, 3328, 2724, 93,0
1052, 52550, 3532, 128, 2485, 3299, 2760, 87,0
1053, 52600, 3557, 140, 2448, 3269, 2795, 81,0
1054, 52650, 3582, 152, 2410, 3239, 2830, 77,0
1055, 52700, 3607, 166, 2373, 3208, 2864, 73,0
1056, 52750, 3630, 179, 2335, 3177, 2899, 70,0
1057, 52800, 3654, 194, 2298, 3145, 2933, 67,0
1058, 52850, 3676, 209, 2260, 3114, 2966, 65,0
1059, 52900, 3698, 224, 2222, 3081, 3000, 64,0
1060, 52950, 3720, 241, 2185, 3049, 3033, 64,0

1061, 53000, 3741, 258, 2147, 3016, 3065, 64,0
1062, 53050, 3761, 275, 2109, 2982, 3098, 65,0
1063, 53100, 3780, 294, 2071, 2948, 3129, 67,0
1064, 53150, 3799, 313, 2033, 2914, 3161, 69,0
1065, 53200, 3818, 332, 1995, 2880, 3192, 72,0
1066, 53250, 3836, 352, 1957, 2845, 3223, 76,0
1067, 53300, 3853, 373, 1919, 2811, 3253, 81,0
1068, 53350, 3869, 394, 1881, 2775, 3283, 86,0
1069, 53400, 3885, 416, 1844, 2740, 3312, 92,0
1070, 53450, 3900, 439, 1806, 2704, 3341, 99,0
1071, 53500, 3915, 462, 1768, 2668, 3370, 106,0
1072, 53550, 3929, 485, 1731, 2632, 3398, 114,0
1073, 53600, 3942, 509, 1693, 2596, 3425, 123,0
1074, 53650, 3955, 534, 1656, 2559, 3452, 133,0
1075, 53700, 3967, 559, 1619, 2522, 3479, 143,0
1076, 53750, 3978, 585, 1582, 2485, 3505, 154,0
1077, 53800, 3988, 611, 1545, 2448, 3530, 165,0
1078, 53850, 3998, 638, 1508, 2411, 3555, 177,0
1079, 53900, 4007, 666, 1472, 2374, 3579, 190,0
1080, 53950, 4016, 693, 1436, 2336, 3603, 204,0
1081, 54000, 4023, 722, 1399, 2299, 3626, 218,0
1082, 54050, 4030, 751, 1364, 2261, 3649, 233,0
1083, 54100, 4037, 780, 1328, 2223, 3671, 248,0

1084, 54150, 4042, 809, 1293, 2185, 3693, 265,0
1085, 54200, 4047, 840, 1258, 2148, 3714, 281,0
1086, 54250, 4051, 870, 1223, 2110, 3734, 299,0
1087, 54300, 4055, 901, 1188, 2072, 3754, 317,0
1088, 54350, 4058, 932, 1154, 2034, 3773, 336,0
1089, 54400, 4060, 964, 1120, 1996, 3792, 355,0
1090, 54450, 4061, 996, 1087, 1958, 3810, 375,0
1091, 54500, 4062, 1029, 1054, 1920, 3827, 396,0
1092, 54550, 4062, 1062, 1021, 1882, 3843, 417,0
1093, 54600, 4061, 1095, 988, 1844, 3859, 438,0
1094, 54650, 4059, 1129, 956, 1807, 3875, 461,0
1095, 54700, 4057, 1163, 924, 1769, 3889, 484,0
1096, 54750, 4054, 1197, 893, 1731, 3903, 507,0
1097, 54800, 4051, 1231, 862, 1694, 3917, 531,0
1098, 54850, 4046, 1266, 832, 1657, 3929, 556,0
1099, 54900, 4041, 1301, 802, 1619, 3941, 581,0
1100, 54950, 4035, 1337, 772, 1582, 3953, 606,0
1101, 55000, 4029, 1372, 743, 1545, 3963, 632,0
1102, 55050, 4022, 1408, 714, 1509, 3973, 659,0
1103, 55100, 4014, 1444, 686, 1472, 3983, 686,0
1104, 55150, 4005, 1481, 658, 1436, 3991, 714,0
1105, 55200, 3996, 1517, 631, 1400, 3999, 742,0
1106, 55250, 3986, 1554, 604, 1364, 4006, 771,0

1107, 55300, 3975, 1591, 578, 1328, 4013, 800,0
1108, 55350, 3964, 1628, 552, 1293, 4019, 829,0
1109, 55400, 3952, 1665, 527, 1258, 4024, 859,0
1110, 55450, 3939, 1702, 502, 1223, 4028, 890,0
1111, 55500, 3926, 1740, 478, 1188, 4032, 920,0
1112, 55550, 3912, 1777, 455, 1154, 4035, 952,0
1113, 55600, 3897, 1815, 432, 1120, 4037, 983,0
1114, 55650, 3882, 1853, 409, 1087, 4038, 1015,0
1115, 55700, 3866, 1891, 387, 1053, 4039, 1048,0
1116, 55750, 3849, 1929, 366, 1021, 4039, 1081,0
1117, 55800, 3832, 1967, 346, 988, 4039, 1114,0
1118, 55850, 3814, 2004, 326, 956, 4037, 1147,0
1119, 55900, 3795, 2042, 306, 924, 4035, 1181,0
1120, 55950, 3776, 2080, 287, 893, 4032, 1215,0
1121, 56000, 3756, 2118, 269, 862, 4029, 1249,0
1122, 56050, 3736, 2156, 252, 831, 4025, 1284,0
1123, 56100, 3715, 2194, 235, 801, 4020, 1319,0
1124, 56150, 3693, 2232, 218, 771, 4014, 1354,0
1125, 56200, 3671, 2270, 203, 742, 4008, 1390,0
1126, 56250, 3648, 2308, 188, 713, 4001, 1426,0
1127, 56300, 3625, 2345, 174, 685, 3993, 1462,0
1128, 56350, 3601, 2383, 160, 657, 3985, 1498,0
1129, 56400, 3576, 2420, 147, 630, 3976, 1534,0

1130, 56450, 3551, 2457, 135, 603, 3966, 1571,0
1131, 56500, 3526, 2495, 123, 577, 3955, 1607,0
1132, 56550, 3500, 2531, 112, 551, 3944, 1644,0
1133, 56600, 3473, 2568, 102, 526, 3932, 1681,0
1134, 56650, 3446, 2605, 92, 501, 3920, 1719,0
1135, 56700, 3418, 2641, 83, 477, 3906, 1756,0
1136, 56750, 3390, 2678, 75, 453, 3892, 1794,0
1137, 56800, 3362, 2714, 68, 430, 3878, 1831,0
1138, 56850, 3333, 2749, 61, 407, 3863, 1869,0
1139, 56900, 3303, 2785, 55, 386, 3847, 1906,0
1140, 56950, 3273, 2820, 50, 364, 3830, 1944,0
1141, 57000, 3243, 2855, 45, 344, 3813, 1982,0
1142, 57050, 3212, 2890, 41, 323, 3795, 2020,0
1143, 57100, 3181, 2924, 38, 304, 3777, 2058,0
1144, 57150, 3149, 2958, 35, 285, 3758, 2096,0
1145, 57200, 3117, 2992, 34, 267, 3738, 2134,0
1146, 57250, 3085, 3025, 33, 249, 3718, 2171,0
1147, 57300, 3052, 3058, 32, 232, 3697, 2209,0
1148, 57350, 3019, 3091, 33, 216, 3676, 2247,0
1149, 57400, 2986, 3123, 34, 200, 3654, 2285,0
1150, 57450, 2952, 3155, 36, 185, 3631, 2322,0
1151, 57500, 2918, 3187, 38, 171, 3608, 2360,0
1152, 57550, 2883, 3218, 41, 157, 3584, 2397,0

1153, 57600, 2849, 3249, 45, 144, 3560, 2435,0
1154, 57650, 2814, 3279, 50, 131, 3535, 2472,0
1155, 57700, 2778, 3309, 55, 120, 3510, 2509,0
1156, 57750, 2743, 3339, 61, 109, 3484, 2546,0
1157, 57800, 2707, 3367, 68, 98, 3457, 2583,0
1158, 57850, 2671, 3396, 76, 89, 3430, 2619,0
1159, 57900, 2635, 3424, 84, 80, 3403, 2656,0
1160, 57950, 2598, 3452, 93, 71, 3375, 2692,0
1161, 58000, 2562, 3479, 102, 64, 3347, 2728,0
1162, 58050, 2525, 3505, 113, 57, 3318, 2763,0
1163, 58100, 2488, 3531, 124, 51, 3289, 2799,0
1164, 58150, 2451, 3557, 135, 45, 3259, 2834,0
1165, 58200, 2413, 3582, 148, 41, 3229, 2869,0
1166, 58250, 2376, 3606, 161, 37, 3198, 2904,0
1167, 58300, 2339, 3630, 174, 33, 3167, 2938,0
1168, 58350, 2301, 3653, 189, 31, 3135, 2972,0
1169, 58400, 2263, 3676, 204, 29, 3104, 3006,0
1170, 58450, 2225, 3698, 219, 28, 3071, 3039,0
1171, 58500, 2187, 3720, 235, 27, 3039, 3072,0
1172, 58550, 2149, 3741, 252, 27, 3006, 3105,0
1173, 58600, 2111, 3761, 270, 28, 2972, 3137,0
1174, 58650, 2073, 3781, 288, 30, 2939, 3169,0
1175, 58700, 2035, 3800, 307, 33, 2905, 3201,0

1176, 58750, 1997, 3819, 327, 36, 2870, 3232,0
1177, 58800, 1959, 3836, 347, 40, 2836, 3263,0
1178, 58850, 1922, 3854, 367, 44, 2801, 3293,0
1179, 58900, 1884, 3870, 389, 49, 2766, 3323,0
1180, 58950, 1846, 3886, 410, 55, 2730, 3353,0
1181, 59000, 1808, 3902, 433, 62, 2695, 3382,0
1182, 59050, 1770, 3916, 456, 69, 2659, 3410,0
1183, 59100, 1733, 3930, 480, 78, 2623, 3438,0
1184, 59150, 1695, 3944, 504, 86, 2586, 3466,0
1185, 59200, 1658, 3956, 528, 96, 2550, 3493,0
1186, 59250, 1621, 3968, 554, 106, 2513, 3519,0
1187, 59300, 1583, 3980, 579, 117, 2476, 3546,0
1188, 59350, 1547, 3990, 606, 128, 2439, 3571,0
1189, 59400, 1510, 4000, 633, 141, 2402, 3596,0
1190, 59450, 1473, 4009, 660, 154, 2365, 3621,0
1191, 59500, 1437, 4018, 688, 167, 2327, 3644,0
1192, 59550, 1401, 4026, 716, 181, 2290, 3668,0
1193, 59600, 1365, 4033, 745, 196, 2252, 3691,0
1194, 59650, 1329, 4039, 774, 212, 2214, 3713,0
1195, 59700, 1294, 4045, 804, 228, 2176, 3734,0
1196, 59750, 1259, 4050, 834, 245, 2138, 3756,0
1197, 59800, 1224, 4054, 864, 262, 2101, 3776,0
1198, 59850, 1189, 4058, 895, 281, 2063, 3796,0

1199, 59900, 1155, 4061, 927, 299, 2025, 3815,0
1200, 59950, 1121, 4063, 958, 319, 1987, 3834,0
1201, 60000, 1087, 4065, 991, 339, 1949, 3852,0
1202, 60050, 1054, 4065, 1023, 359, 1911, 3869,0
1203, 60100, 1021, 4065, 1056, 381, 1873, 3886,0
1204, 60150, 989, 4065, 1089, 402, 1835, 3902,0
1205, 60200, 956, 4063, 1123, 425, 1797, 3917,0
1206, 60250, 925, 4061, 1157, 448, 1760, 3932,0
1207, 60300, 893, 4058, 1191, 471, 1722, 3946,0
1208, 60350, 862, 4055, 1226, 495, 1685, 3960,0
1209, 60400, 832, 4050, 1261, 520, 1647, 3972,0
1210, 60450, 801, 4045, 1296, 545, 1610, 3984,0
1211, 60500, 772, 4040, 1331, 571, 1573, 3996,0
1212, 60550, 743, 4033, 1367, 597, 1536, 4007,0
1213, 60600, 714, 4026, 1403, 624, 1500, 4017,0
1214, 60650, 685, 4018, 1439, 651, 1463, 4026,0
1215, 60700, 658, 4010, 1475, 679, 1427, 4035,0
1216, 60750, 630, 4001, 1512, 707, 1391, 4043,0
1217, 60800, 603, 3991, 1549, 736, 1355, 4050,0
1218, 60850, 577, 3980, 1586, 765, 1319, 4056,0
1219, 60900, 551, 3969, 1623, 794, 1284, 4062,0
1220, 60950, 526, 3957, 1660, 825, 1248, 4067,0
1221, 61000, 501, 3944, 1697, 855, 1214, 4072,0

1222, 61050, 477, 3931, 1735, 886, 1179, 4076,0
1223, 61100, 453, 3917, 1772, 917, 1145, 4079,0
1224, 61150, 430, 3902, 1810, 949, 1111, 4081,0
1225, 61200, 408, 3887, 1848, 981, 1077, 4082,0
1226, 61250, 386, 3871, 1886, 1014, 1044, 4083,0
1227, 61300, 365, 3854, 1924, 1047, 1011, 4083,0
1228, 61350, 344, 3837, 1962, 1080, 978, 4083,0
1229, 61400, 324, 3819, 2000, 1113, 946, 4082,0
1230, 61450, 304, 3801, 2038, 1147, 914, 4080,0
1231, 61500, 286, 3782, 2076, 1181, 883, 4077,0
1232, 61550, 267, 3762, 2114, 1216, 852, 4073,0
1233, 61600, 250, 3741, 2152, 1251, 821, 4069,0
1234, 61650, 233, 3720, 2190, 1286, 791, 4064,0
1235, 61700, 216, 3699, 2228, 1321, 761, 4059,0
1236, 61750, 201, 3677, 2266, 1357, 732, 4053,0
1237, 61800, 186, 3654, 2303, 1393, 703, 4046,0
1238, 61850, 171, 3631, 2341, 1429, 675, 4038,0
1239, 61900, 158, 3607, 2379, 1465, 647, 4030,0
1240, 61950, 145, 3582, 2416, 1502, 619, 4021,0
1241, 62000, 132, 3557, 2454, 1539, 593, 4011,0
1242, 62050, 120, 3532, 2491, 1576, 566, 4000,0
1243, 62100, 110, 3506, 2528, 1613, 540, 3989,0
1244, 62150, 99, 3479, 2565, 1650, 515, 3977,0

1245, 62200, 90, 3452, 2601, 1687, 490, 3965,0
1246, 62250, 81, 3425, 2638, 1725, 466, 3952,0
1247, 62300, 72, 3397, 2674, 1762, 442, 3938,0
1248, 62350, 65, 3368, 2710, 1800, 419, 3923,0
1249, 62400, 58, 3339, 2746, 1838, 397, 3908,0
1250, 62450, 52, 3310, 2782, 1876, 375, 3892,0
1251, 62500, 47, 3280, 2817, 1914, 353, 3876,0
1252, 62550, 42, 3249, 2852, 1952, 332, 3859,0
1253, 62600, 38, 3219, 2887, 1990, 312, 3841,0
1254, 62650, 35, 3187, 2921, 2028, 293, 3823,0
1255, 62700, 32, 3156, 2956, 2066, 274, 3804,0
1256, 62750, 30, 3124, 2989, 2104, 255, 3784,0
1257, 62800, 29, 3091, 3023, 2142, 237, 3764,0
1258, 62850, 29, 3059, 3056, 2180, 220, 3743,0
1259, 62900, 29, 3025, 3089, 2218, 204, 3722,0
1260, 62950, 30, 2992, 3121, 2256, 188, 3700,0
1261, 63000, 32, 2958, 3153, 2294, 173, 3677,0
1262, 63050, 34, 2924, 3185, 2331, 159, 3654,0
1263, 63100, 38, 2890, 3216, 2369, 145, 3630,0
1264, 63150, 42, 2855, 3247, 2406, 132, 3606,0
1265, 63200, 46, 2820, 3278, 2444, 119, 3581,0
1266, 63250, 52, 2785, 3308, 2481, 107, 3556,0
1267, 63300, 58, 2749, 3337, 2518, 96, 3530,0

1268, 63350, 64, 2713, 3366, 2555, 86, 3504,0
1269, 63400, 72, 2677, 3395, 2592, 76, 3477,0
1270, 63450, 80, 2641, 3423, 2628, 67, 3449,0
1271, 63500, 89, 2604, 3451, 2665, 59, 3421,0
1272, 63550, 98, 2568, 3478, 2701, 51, 3393,0
1273, 63600, 109, 2531, 3504, 2737, 44, 3364,0
1274, 63650, 120, 2494, 3531, 2772, 38, 3335,0
1275, 63700, 131, 2457, 3556, 2808, 32, 3305,0
1276, 63750, 143, 2419, 3581, 2843, 27, 3275,0
1277, 63800, 156, 2382, 3606, 2878, 23, 3244,0
1278, 63850, 170, 2344, 3630, 2912, 20, 3213,0
1279, 63900, 184, 2307, 3653, 2946, 17, 3182,0
1280, 63950, 199, 2269, 3676, 2980, 15, 3150,0
1281, 64000, 215, 2231, 3698, 3014, 14, 3118,0
1282, 64050, 231, 2193, 3720, 3047, 13, 3085,0
1283, 64100, 248, 2155, 3741, 3080, 14, 3052,0
1284, 64150, 266, 2117, 3762, 3112, 14, 3019,0
1285, 64200, 284, 2079, 3781, 3145, 16, 2985,0
1286, 64250, 303, 2041, 3801, 3176, 18, 2951,0
1287, 64300, 322, 2003, 3819, 3208, 21, 2917,0
1288, 64350, 342, 1965, 3837, 3239, 25, 2882,0
1289, 64400, 363, 1927, 3855, 3269, 30, 2847,0
1290, 64450, 384, 1889, 3871, 3299, 35, 2812,0

1291, 64500, 406, 1851, 3888, 3329, 41, 2777,0
1292, 64550, 429, 1813, 3903, 3358, 47, 2741,0
1293, 64600, 452, 1775, 3918, 3387, 55, 2705,0
1294, 64650, 475, 1737, 3932, 3415, 63, 2669,0
1295, 64700, 499, 1700, 3945, 3443, 71, 2632,0
1296, 64750, 524, 1662, 3958, 3470, 81, 2596,0
1297, 64800, 549, 1625, 3970, 3497, 91, 2559,0
1298, 64850, 575, 1588, 3982, 3523, 101, 2522,0
1299, 64900, 601, 1551, 3992, 3549, 113, 2485,0
1300, 64950, 628, 1514, 4002, 3574, 125, 2448,0
1301, 65000, 656, 1477, 4012, 3598, 138, 2410,0
1302, 65050, 683, 1441, 4020, 3622, 151, 2373,0
1303, 65100, 712, 1405, 4028, 3646, 166, 2335,0
1304, 65150, 741, 1369, 4035, 3669, 180, 2298,0
1305, 65200, 770, 1333, 4042, 3691, 196, 2260,0
1306, 65250, 800, 1297, 4048, 3713, 212, 2222,0
1307, 65300, 830, 1262, 4053, 3734, 229, 2184,0
1308, 65350, 860, 1227, 4057, 3755, 246, 2146,0
1309, 65400, 891, 1193, 4061, 3775, 264, 2108,0
1310, 65450, 923, 1158, 4064, 3794, 283, 2070,0
1311, 65500, 954, 1124, 4066, 3813, 302, 2032,0
1312, 65550, 987, 1090, 4068, 3831, 322, 1994,0
1313, 65600, 1019, 1057, 4069, 3848, 343, 1956,0

1314, 65650, 1052, 1024, 4069, 3865, 364, 1918,0
1315, 65700, 1086, 991, 4068, 3881, 385, 1880,0
1316, 65750, 1119, 959, 4067, 3897, 408, 1843,0
1317, 65800, 1153, 927, 4065, 3912, 431, 1805,0
1318, 65850, 1187, 896, 4062, 3926, 454, 1767,0
1319, 65900, 1222, 865, 4058, 3940, 478, 1730,0
1320, 65950, 1257, 834, 4054, 3952, 503, 1692,0
1321, 66000, 1292, 804, 4049, 3965, 528, 1655,0
1322, 66050, 1328, 774, 4044, 3976, 553, 1618,0
1323, 66100, 1363, 744, 4037, 3987, 580, 1581,0
1324, 66150, 1399, 716, 4030, 3997, 606, 1544,0
1325, 66200, 1435, 687, 4023, 4007, 633, 1508,0
1326, 66250, 1472, 659, 4014, 4015, 661, 1471,0
1327, 66300, 1508, 632, 4005, 4023, 689, 1435,0
1328, 66350, 1545, 605, 3995, 4031, 718, 1399,0
1329, 66400, 1582, 578, 3985, 4037, 747, 1363,0
1330, 66450, 1619, 552, 3973, 4043, 776, 1328,0
1331, 66500, 1657, 527, 3961, 4048, 807, 1293,0
1332, 66550, 1694, 502, 3949, 4053, 837, 1258,0
1333, 66600, 1732, 478, 3936, 4057, 868, 1223,0
1334, 66650, 1769, 454, 3922, 4060, 899, 1189,0
1335, 66700, 1807, 431, 3907, 4062, 931, 1154,0
1336, 66750, 1845, 408, 3892, 4064, 963, 1121,0

1337, 66800, 1883, 386, 3876, 4065, 995, 1087,0
1338, 66850, 1921, 365, 3859, 4065, 1028, 1054,0
1339, 66900, 1959, 344, 3842, 4064, 1061, 1022,0
1340, 66950, 1997, 324, 3824, 4063, 1095, 989,0
1341, 67000, 2035, 304, 3806, 4061, 1129, 957,0
1342, 67050, 2073, 285, 3787, 4059, 1163, 926,0
1343, 67100, 2111, 267, 3767, 4055, 1197, 895,0
1344, 67150, 2149, 249, 3747, 4051, 1232, 864,0
1345, 67200, 2187, 232, 3726, 4046, 1267, 834,0
1346, 67250, 2225, 216, 3704, 4041, 1303, 804,0
1347, 67300, 2263, 200, 3682, 4035, 1338, 775,0
1348, 67350, 2301, 185, 3659, 4028, 1374, 746,0
1349, 67400, 2339, 170, 3636, 4020, 1410, 717,0
1350, 67450, 2377, 156, 3612, 4012, 1446, 689,0
1351, 67500, 2414, 143, 3588, 4003, 1483, 662,0
1352, 67550, 2452, 131, 3563, 3993, 1520, 635,0
1353, 67600, 2489, 119, 3537, 3983, 1557, 608,0
1354, 67650, 2526, 108, 3511, 3971, 1594, 582,0
1355, 67700, 2563, 98, 3485, 3960, 1631, 557,0
1356, 67750, 2600, 88, 3458, 3947, 1668, 532,0
1357, 67800, 2636, 79, 3430, 3934, 1706, 507,0
1358, 67850, 2673, 70, 3402, 3920, 1743, 484,0
1359, 67900, 2709, 63, 3374, 3906, 1781, 460,0

1360, 67950, 2745, 56, 3345, 3890, 1819, 438,0
1361, 68000, 2780, 50, 3315, 3875, 1857, 416,0
1362, 68050, 2816, 44, 3285, 3858, 1895, 394,0
1363, 68100, 2851, 39, 3255, 3841, 1933, 373,0
1364, 68150, 2886, 35, 3224, 3823, 1971, 353,0
1365, 68200, 2920, 32, 3193, 3805, 2009, 333,0
1366, 68250, 2955, 29, 3161, 3786, 2047, 314,0
1367, 68300, 2988, 27, 3129, 3766, 2085, 296,0
1368, 68350, 3022, 26, 3097, 3746, 2123, 278,0
1369, 68400, 3055, 26, 3064, 3725, 2161, 261,0
1370, 68450, 3088, 26, 3031, 3704, 2199, 244,0
1371, 68500, 3121, 27, 2998, 3682, 2237, 228,0
1372, 68550, 3153, 29, 2964, 3659, 2274, 213,0
1373, 68600, 3185, 31, 2930, 3636, 2312, 198,0
1374, 68650, 3216, 34, 2895, 3612, 2350, 184,0
1375, 68700, 3247, 38, 2861, 3588, 2387, 171,0
1376, 68750, 3277, 42, 2826, 3563, 2425, 159,0
1377, 68800, 3307, 48, 2790, 3538, 2462, 147,0
1378, 68850, 3337, 54, 2755, 3512, 2499, 135,0
1379, 68900, 3366, 60, 2719, 3485, 2536, 125,0
1380, 68950, 3395, 68, 2683, 3458, 2573, 115,0
1381, 69000, 3423, 76, 2646, 3431, 2609, 106,0
1382, 69050, 3451, 85, 2610, 3403, 2646, 97,0

1383, 69100, 3478, 94, 2573, 3374, 2682, 90,0
1384, 69150, 3505, 104, 2536, 3345, 2718, 83,0
1385, 69200, 3531, 115, 2499, 3316, 2753, 76,0
1386, 69250, 3557, 127, 2462, 3286, 2789, 71,0
1387, 69300, 3582, 139, 2425, 3256, 2824, 66,0
1388, 69350, 3606, 152, 2387, 3225, 2859, 61,0
1389, 69400, 3630, 165, 2349, 3194, 2893, 58,0
1390, 69450, 3654, 180, 2312, 3162, 2928, 55,0
1391, 69500, 3677, 194, 2274, 3130, 2962, 53,0
1392, 69550, 3699, 210, 2236, 3098, 2995, 52,0
1393, 69600, 3721, 226, 2198, 3065, 3028, 51,0
1394, 69650, 3742, 243, 2160, 3032, 3061, 51,0
1395, 69700, 3763, 261, 2122, 2999, 3094, 52,0
1396, 69750, 3783, 279, 2084, 2965, 3126, 53,0
1397, 69800, 3802, 298, 2046, 2931, 3158, 56,0
1398, 69850, 3821, 317, 2007, 2897, 3189, 59,0
1399, 69900, 3839, 337, 1969, 2862, 3220, 62,0
1400, 69950, 3856, 358, 1931, 2827, 3251, 67,0
1401, 70000, 3873, 379, 1893, 2792, 3281, 72,0
1402, 70050, 3889, 401, 1855, 2756, 3311, 77,0
1403, 70100, 3905, 423, 1817, 2720, 3340, 84,0
1404, 70150, 3919, 446, 1779, 2684, 3369, 91,0
1405, 70200, 3934, 470, 1742, 2648, 3397, 99,0

1406, 70250, 3947, 494, 1704, 2612, 3425, 108,0
1407, 70300, 3960, 518, 1666, 2575, 3452, 117,0
1408, 70350, 3972, 544, 1629, 2538, 3479, 127,0
1409, 70400, 3984, 569, 1592, 2501, 3505, 138,0
1410, 70450, 3994, 596, 1555, 2464, 3531, 149,0
1411, 70500, 4004, 622, 1518, 2426, 3556, 161,0
1412, 70550, 4014, 650, 1481, 2389, 3581, 174,0
1413, 70600, 4022, 677, 1445, 2351, 3605, 187,0
1414, 70650, 4030, 706, 1408, 2313, 3628, 201,0
1415, 70700, 4038, 735, 1372, 2276, 3651, 216,0
1416, 70750, 4044, 764, 1336, 2238, 3674, 231,0
1417, 70800, 4050, 793, 1301, 2200, 3696, 247,0
1418, 70850, 4055, 824, 1266, 2162, 3717, 264,0
1419, 70900, 4060, 854, 1231, 2124, 3738, 281,0
1420, 70950, 4064, 885, 1196, 2085, 3758, 299,0
1421, 71000, 4067, 917, 1161, 2047, 3777, 318,0
1422, 71050, 4069, 948, 1127, 2009, 3796, 337,0
1423, 71100, 4070, 981, 1093, 1971, 3814, 357,0
1424, 71150, 4071, 1013, 1060, 1933, 3832, 378,0
1425, 71200, 4072, 1046, 1027, 1895, 3849, 399,0
1426, 71250, 4071, 1079, 994, 1857, 3865, 420,0
1427, 71300, 4070, 1113, 962, 1819, 3881, 442,0
1428, 71350, 4068, 1147, 930, 1781, 3896, 465,0

1429, 71400, 4065, 1181, 898, 1743, 3910, 489,0
1430, 71450, 4061, 1216, 867, 1706, 3924, 513,0
1431, 71500, 4057, 1251, 836, 1668, 3936, 537,0
1432, 71550, 4052, 1286, 806, 1631, 3949, 562,0
1433, 71600, 4047, 1321, 776, 1593, 3960, 588,0
1434, 71650, 4041, 1357, 746, 1556, 3971, 614,0
1435, 71700, 4034, 1393, 717, 1519, 3982, 640,0
1436, 71750, 4026, 1429, 689, 1483, 3991, 668,0
1437, 71800, 4017, 1466, 661, 1446, 4000, 695,0
1438, 71850, 4008, 1502, 633, 1410, 4008, 723,0
1439, 71900, 3999, 1539, 606, 1374, 4016, 752,0
1440, 71950, 3988, 1576, 580, 1338, 4022, 781,0
1441, 72000, 3977, 1613, 554, 1302, 4028, 810,0
1442, 72050, 3965, 1651, 528, 1267, 4034, 840,0
1443, 72100, 3952, 1688, 503, 1232, 4038, 871,0
1444, 72150, 3939, 1726, 479, 1197, 4042, 902,0
1445, 72200, 3925, 1764, 455, 1162, 4045, 933,0
1446, 72250, 3911, 1801, 432, 1128, 4048, 964,0
1447, 72300, 3895, 1839, 409, 1094, 4050, 997,0
1448, 72350, 3880, 1877, 387, 1061, 4051, 1029,0
1449, 72400, 3863, 1915, 365, 1028, 4051, 1062,0
1450, 72450, 3846, 1953, 344, 995, 4051, 1095,0
1451, 72500, 3828, 1992, 324, 962, 4049, 1128,0

1452, 72550, 3809, 2030, 304, 930, 4048, 1162,0
1453, 72600, 3790, 2068, 285, 899, 4045, 1196,0
1454, 72650, 3771, 2106, 267, 867, 4042, 1231,0
1455, 72700, 3750, 2144, 249, 836, 4038, 1266,0
1456, 72750, 3729, 2182, 232, 806, 4033, 1301,0
1457, 72800, 3708, 2220, 215, 776, 4028, 1336,0
1458, 72850, 3686, 2258, 199, 747, 4022, 1372,0
1459, 72900, 3663, 2296, 184, 717, 4015, 1407,0
1460, 72950, 3640, 2334, 170, 689, 4007, 1443,0
1461, 73000, 3616, 2372, 156, 661, 3999, 1480,0
1462, 73050, 3592, 2409, 142, 633, 3990, 1516,0
1463, 73100, 3567, 2447, 130, 606, 3980, 1553,0
1464, 73150, 3541, 2484, 118, 579, 3970, 1590,0
1465, 73200, 3515, 2521, 107, 553, 3959, 1627,0
1466, 73250, 3489, 2558, 96, 528, 3947, 1664,0
1467, 73300, 3462, 2595, 86, 503, 3935, 1701,0
1468, 73350, 3434, 2632, 77, 478, 3922, 1739,0
1469, 73400, 3406, 2668, 69, 454, 3908, 1777,0
1470, 73450, 3377, 2705, 61, 431, 3894, 1814,0
1471, 73500, 3348, 2741, 54, 408, 3879, 1852,0
1472, 73550, 3319, 2776, 48, 386, 3863, 1890,0
1473, 73600, 3289, 2812, 42, 364, 3847, 1928,0
1474, 73650, 3259, 2847, 37, 343, 3830, 1966,0

1475, 73700, 3228, 2882, 33, 323, 3812, 2004,0
1476, 73750, 3197, 2917, 30, 303, 3794, 2042,0
1477, 73800, 3165, 2951, 27, 284, 3775, 2080,0
1478, 73850, 3133, 2985, 25, 265, 3755, 2118,0
1479, 73900, 3101, 3019, 24, 247, 3735, 2156,0
1480, 73950, 3068, 3052, 23, 230, 3714, 2194,0
1481, 74000, 3035, 3085, 23, 213, 3693, 2232,0
1482, 74050, 3001, 3118, 24, 197, 3671, 2270,0
1483, 74100, 2967, 3150, 26, 182, 3649, 2308,0
1484, 74150, 2933, 3182, 28, 167, 3625, 2346,0
1485, 74200, 2899, 3213, 31, 153, 3602, 2383,0
1486, 74250, 2864, 3244, 35, 140, 3578, 2421,0
1487, 74300, 2829, 3275, 39, 127, 3553, 2458,0
1488, 74350, 2794, 3305, 44, 115, 3527, 2496,0
1489, 74400, 2758, 3335, 50, 104, 3502, 2533,0
1490, 74450, 2722, 3364, 57, 93, 3475, 2570,0
1491, 74500, 2686, 3393, 64, 83, 3448, 2606,0
1492, 74550, 2650, 3421, 72, 74, 3421, 2643,0
1493, 74600, 2613, 3449, 81, 66, 3393, 2679,0
1494, 74650, 2576, 3476, 90, 58, 3365, 2716,0
1495, 74700, 2539, 3503, 100, 51, 3336, 2752,0
1496, 74750, 2502, 3529, 111, 44, 3307, 2787,0
1497, 74800, 2465, 3555, 123, 39, 3277, 2823,0

1498, 74850, 2428, 3580, 135, 34, 3247, 2858,0
1499, 74900, 2390, 3605, 148, 29, 3216, 2893,0
1500, 74950, 2352, 3629, 161, 26, 3185, 2927,0
1501, 75000, 2315, 3653, 175, 23, 3153, 2962,0
1502, 75050, 2277, 3676, 190, 21, 3122, 2996,0
1503, 75100, 2239, 3698, 206, 19, 3089, 3029,0
1504, 75150, 2201, 3720, 222, 19, 3057, 3063,0
1505, 75200, 2163, 3741, 239, 19, 3024, 3096,0
1506, 75250, 2124, 3762, 256, 20, 2990, 3128,0
1507, 75300, 2086, 3782, 274, 21, 2957, 3161,0
1508, 75350, 2048, 3801, 293, 23, 2923, 3192,0
1509, 75400, 2010, 3820, 312, 26, 2888, 3224,0
1510, 75450, 1972, 3838, 332, 30, 2854, 3255,0
1511, 75500, 1934, 3856, 353, 34, 2819, 3286,0
1512, 75550, 1896, 3873, 374, 39, 2783, 3316,0
1513, 75600, 1857, 3889, 396, 45, 2748, 3345,0
1514, 75650, 1820, 3905, 418, 51, 2712, 3375,0
1515, 75700, 1782, 3920, 441, 59, 2676, 3404,0
1516, 75750, 1744, 3934, 465, 66, 2640, 3432,0
1517, 75800, 1706, 3948, 489, 75, 2604, 3460,0
1518, 75850, 1669, 3961, 513, 84, 2567, 3487,0
1519, 75900, 1631, 3973, 539, 94, 2530, 3514,0
1520, 75950, 1594, 3984, 564, 105, 2493, 3540,0

1521, 76000, 1557, 3995, 591, 116, 2456, 3566,0
1522, 76050, 1520, 4006, 617, 128, 2419, 3592,0
1523, 76100, 1483, 4015, 645, 141, 2381, 3616,0
1524, 76150, 1446, 4024, 672, 155, 2344, 3640,0
1525, 76200, 1410, 4032, 701, 169, 2306, 3664,0
1526, 76250, 1374, 4039, 729, 183, 2268, 3687,0
1527, 76300, 1338, 4046, 759, 199, 2230, 3710,0
1528, 76350, 1302, 4052, 788, 215, 2192, 3732,0
1529, 76400, 1267, 4057, 818, 232, 2154, 3753,0
1530, 76450, 1232, 4062, 849, 249, 2116, 3774,0
1531, 76500, 1197, 4066, 880, 267, 2078, 3794,0
1532, 76550, 1162, 4069, 911, 286, 2040, 3813,0
1533, 76600, 1128, 4071, 943, 305, 2002, 3832,0
1534, 76650, 1094, 4073, 975, 325, 1964, 3851,0
1535, 76700, 1061, 4074, 1008, 345, 1926, 3868,0
1536, 76750, 1028, 4074, 1041, 366, 1888, 3885,0
1537, 76800, 995, 4074, 1074, 388, 1850, 3902,0
1538, 76850, 962, 4072, 1108, 410, 1812, 3917,0
1539, 76900, 930, 4070, 1142, 433, 1774, 3932,0
1540, 76950, 899, 4068, 1176, 457, 1736, 3947,0
1541, 77000, 867, 4065, 1211, 481, 1698, 3960,0
1542, 77050, 837, 4060, 1246, 505, 1661, 3973,0
1543, 77100, 806, 4056, 1281, 530, 1624, 3986,0

1544, 77150, 776, 4050, 1316, 556, 1586, 3998,0
1545, 77200, 747, 4044, 1352, 582, 1549, 4009,0
1546, 77250, 718, 4037, 1388, 609, 1512, 4019,0
1547, 77300, 689, 4029, 1424, 636, 1475, 4028,0
1548, 77350, 661, 4021, 1461, 664, 1439, 4037,0
1549, 77400, 633, 4012, 1497, 692, 1403, 4046,0
1550, 77450, 606, 4002, 1534, 721, 1366, 4053,0
1551, 77500, 580, 3992, 1571, 750, 1331, 4060,0
1552, 77550, 554, 3981, 1608, 779, 1295, 4066,0
1553, 77600, 528, 3969, 1646, 809, 1260, 4071,0
1554, 77650, 503, 3957, 1683, 840, 1224, 4076,0
1555, 77700, 479, 3943, 1721, 871, 1190, 4080,0
1556, 77750, 455, 3930, 1759, 902, 1155, 4083,0
1557, 77800, 431, 3915, 1797, 934, 1121, 4086,0
1558, 77850, 408, 3900, 1834, 966, 1087, 4088,0
1559, 77900, 386, 3884, 1872, 998, 1053, 4089,0
1560, 77950, 365, 3868, 1911, 1031, 1020, 4089,0
1561, 78000, 344, 3850, 1949, 1065, 987, 4089,0
1562, 78050, 323, 3833, 1987, 1098, 955, 4088,0
1563, 78100, 304, 3814, 2025, 1132, 923, 4086,0
1564, 78150, 284, 3795, 2063, 1166, 891, 4084,0
1565, 78200, 266, 3776, 2101, 1201, 860, 4080,0
1566, 78250, 248, 3755, 2140, 1236, 829, 4077,0

1567, 78300, 231, 3734, 2178, 1271, 798, 4072,0
1568, 78350, 214, 3713, 2216, 1307, 768, 4067,0
1569, 78400, 198, 3691, 2254, 1342, 739, 4061,0
1570, 78450, 183, 3668, 2292, 1378, 710, 4054,0
1571, 78500, 168, 3645, 2330, 1414, 681, 4046,0
1572, 78550, 154, 3621, 2368, 1451, 653, 4038,0
1573, 78600, 141, 3597, 2405, 1487, 625, 4029,0
1574, 78650, 128, 3572, 2443, 1524, 598, 4020,0
1575, 78700, 116, 3547, 2480, 1561, 571, 4009,0
1576, 78750, 105, 3521, 2517, 1598, 545, 3998,0
1577, 78800, 95, 3494, 2555, 1636, 520, 3987,0
1578, 78850, 85, 3467, 2591, 1673, 495, 3975,0
1579, 78900, 75, 3440, 2628, 1711, 470, 3962,0
1580, 78950, 67, 3412, 2665, 1749, 446, 3948,0
1581, 79000, 59, 3383, 2701, 1786, 423, 3934,0
1582, 79050, 52, 3354, 2737, 1824, 400, 3919,0
1583, 79100, 46, 3325, 2773, 1862, 377, 3903,0
1584, 79150, 40, 3295, 2808, 1901, 356, 3887,0
1585, 79200, 35, 3264, 2844, 1939, 335, 3870,0
1586, 79250, 31, 3234, 2879, 1977, 314, 3852,0
1587, 79300, 28, 3202, 2913, 2015, 294, 3834,0
1588, 79350, 25, 3171, 2948, 2053, 275, 3815,0
1589, 79400, 23, 3139, 2982, 2091, 256, 3795,0

1590, 79450, 21, 3106, 3016, 2130, 238, 3775,0
1591, 79500, 21, 3074, 3049, 2168, 221, 3755,0
1592, 79550, 21, 3041, 3082, 2206, 204, 3733,0
1593, 79600, 22, 3007, 3115, 2244, 188, 3711,0
1594, 79650, 23, 2973, 3147, 2282, 173, 3689,0
1595, 79700, 25, 2939, 3179, 2320, 158, 3666,0
1596, 79750, 28, 2905, 3211, 2358, 144, 3642,0
1597, 79800, 32, 2870, 3242, 2395, 131, 3618,0
1598, 79850, 36, 2835, 3272, 2433, 118, 3593,0
1599, 79900, 42, 2799, 3303, 2470, 106, 3568,0
1600, 79950, 47, 2764, 3333, 2508, 94, 3542,0
1601, 80000, 54, 2728, 3362, 2545, 84, 3516,0
1602, 80050, 61, 2692, 3391, 2582, 74, 3489,0
1603, 80100, 69, 2655, 3419, 2619, 64, 3462,0
1604, 80150, 78, 2619, 3447, 2655, 56, 3434,0
1605, 80200, 87, 2582, 3475, 2691, 48, 3406,0
1606, 80250, 97, 2545, 3501, 2728, 41, 3377,0
1607, 80300, 108, 2508, 3528, 2763, 34, 3347,0
1608, 80350, 120, 2471, 3554, 2799, 28, 3318,0
1609, 80400, 132, 2433, 3579, 2834, 23, 3288,0
1610, 80450, 144, 2396, 3604, 2869, 19, 3257,0
1611, 80500, 158, 2358, 3628, 2904, 15, 3226,0
1612, 80550, 172, 2320, 3652, 2939, 12, 3194,0

1613, 80600, 187, 2282, 3675, 2973, 10, 3163,0
1614, 80650, 202, 2244, 3697, 3007, 8, 3130,0
1615, 80700, 219, 2206, 3719, 3040, 8, 3098,0
1616, 80750, 235, 2168, 3741, 3073, 8, 3065,0
1617, 80800, 253, 2130, 3762, 3106, 8, 3031,0
1618, 80850, 271, 2092, 3782, 3138, 10, 2998,0
1619, 80900, 290, 2053, 3801, 3170, 12, 2964,0
1620, 80950, 309, 2015, 3820, 3202, 15, 2929,0
1621, 81000, 329, 1977, 3838, 3233, 18, 2895,0
1622, 81050, 349, 1939, 3856, 3264, 22, 2860,0
1623, 81100, 371, 1901, 3873, 3294, 27, 2825,0
1624, 81150, 392, 1863, 3889, 3324, 33, 2789,0
1625, 81200, 415, 1825, 3905, 3354, 39, 2753,0
1626, 81250, 438, 1787, 3920, 3383, 46, 2717,0
1627, 81300, 461, 1749, 3935, 3411, 54, 2681,0
1628, 81350, 485, 1711, 3948, 3439, 63, 2645,0
1629, 81400, 510, 1673, 3961, 3467, 72, 2608,0
1630, 81450, 535, 1636, 3974, 3494, 82, 2571,0
1631, 81500, 561, 1598, 3985, 3520, 92, 2534,0
1632, 81550, 587, 1561, 3996, 3546, 104, 2497,0
1633, 81600, 614, 1524, 4007, 3571, 116, 2460,0
1634, 81650, 641, 1487, 4016, 3596, 128, 2422,0
1635, 81700, 669, 1451, 4025, 3621, 142, 2384,0

1636, 81750, 697, 1414, 4033, 3644, 156, 2347,0
1637, 81800, 726, 1378, 4041, 3668, 170, 2309,0
1638, 81850, 755, 1342, 4048, 3690, 186, 2271,0
1639, 81900, 785, 1306, 4054, 3712, 201, 2233,0
1640, 81950, 815, 1271, 4059, 3734, 218, 2195,0
1641, 82000, 845, 1236, 4064, 3755, 235, 2157,0
1642, 82050, 876, 1201, 4068, 3775, 253, 2119,0
1643, 82100, 908, 1166, 4071, 3795, 272, 2081,0
1644, 82150, 940, 1132, 4073, 3814, 291, 2042,0
1645, 82200, 972, 1098, 4075, 3832, 311, 2004,0
1646, 82250, 1004, 1064, 4076, 3850, 331, 1966,0
1647, 82300, 1037, 1031, 4076, 3867, 352, 1928,0
1648, 82350, 1071, 998, 4076, 3883, 374, 1890,0
1649, 82400, 1104, 966, 4075, 3899, 396, 1852,0
1650, 82450, 1138, 934, 4073, 3914, 419, 1814,0
1651, 82500, 1173, 902, 4071, 3929, 442, 1776,0
1652, 82550, 1207, 870, 4067, 3943, 466, 1739,0
1653, 82600, 1242, 839, 4063, 3956, 490, 1701,0
1654, 82650, 1277, 809, 4059, 3968, 515, 1664,0
1655, 82700, 1313, 779, 4053, 3980, 541, 1626,0
1656, 82750, 1349, 749, 4047, 3991, 567, 1589,0
1657, 82800, 1385, 720, 4040, 4002, 594, 1552,0
1658, 82850, 1421, 691, 4033, 4011, 621, 1515,0

1659, 82900, 1457, 663, 4025, 4020, 648, 1479,0
1660, 82950, 1494, 635, 4016, 4029, 676, 1442,0
1661, 83000, 1531, 608, 4006, 4036, 705, 1406,0
1662, 83050, 1568, 582, 3996, 4043, 734, 1370,0
1663, 83100, 1605, 555, 3985, 4049, 764, 1335,0
1664, 83150, 1643, 530, 3973, 4055, 794, 1299,0
1665, 83200, 1680, 505, 3960, 4060, 824, 1264,0
1666, 83250, 1718, 480, 3947, 4064, 855, 1229,0
1667, 83300, 1756, 456, 3934, 4067, 886, 1194,0
1668, 83350, 1794, 433, 3919, 4069, 918, 1160,0
1669, 83400, 1832, 410, 3904, 4071, 950, 1126,0
1670, 83450, 1870, 387, 3888, 4073, 982, 1093,0
1671, 83500, 1908, 366, 3872, 4073, 1015, 1059,0
1672, 83550, 1946, 345, 3855, 4073, 1048, 1026,0
1673, 83600, 1984, 324, 3837, 4072, 1082, 994,0
1674, 83650, 2022, 304, 3819, 4070, 1116, 962,0
1675, 83700, 2061, 285, 3800, 4068, 1150, 930,0
1676, 83750, 2099, 266, 3780, 4064, 1184, 898,0
1677, 83800, 2137, 248, 3760, 4061, 1219, 868,0
1678, 83850, 2175, 231, 3739, 4056, 1254, 837,0
1679, 83900, 2213, 214, 3718, 4051, 1290, 807,0
1680, 83950, 2251, 198, 3696, 4045, 1325, 777,0
1681, 84000, 2289, 183, 3673, 4038, 1361, 748,0

1682, 84050, 2327, 168, 3650, 4031, 1397, 719,0
1683, 84100, 2365, 154, 3626, 4022, 1434, 691,0
1684, 84150, 2403, 141, 3602, 4014, 1470, 663,0
1685, 84200, 2441, 128, 3577, 4004, 1507, 636,0
1686, 84250, 2478, 116, 3552, 3994, 1544, 609,0
1687, 84300, 2515, 104, 3526, 3983, 1581, 583,0
1688, 84350, 2552, 94, 3499, 3971, 1619, 557,0
1689, 84400, 2589, 84, 3472, 3959, 1656, 532,0
1690, 84450, 2626, 75, 3445, 3946, 1694, 507,0
1691, 84500, 2663, 66, 3417, 3932, 1731, 483,0
1692, 84550, 2699, 58, 3388, 3918, 1769, 460,0
1693, 84600, 2735, 51, 3359, 3903, 1807, 437,0
1694, 84650, 2771, 44, 3330, 3887, 1845, 415,0
1695, 84700, 2807, 39, 3300, 3871, 1883, 393,0
1696, 84750, 2842, 34, 3270, 3854, 1921, 372,0
1697, 84800, 2877, 29, 3239, 3836, 1959, 351,0
1698, 84850, 2912, 26, 3208, 3818, 1998, 331,0
1699, 84900, 2946, 23, 3176, 3799, 2036, 312,0
1700, 84950, 2981, 21, 3144, 3780, 2074, 293,0
1701, 85000, 3014, 19, 3112, 3760, 2112, 275,0
1702, 85050, 3048, 18, 3079, 3739, 2150, 257,0
1703, 85100, 3081, 18, 3046, 3718, 2188, 241,0
1704, 85150, 3114, 19, 3012, 3696, 2226, 224,0

1705,	85200,	3146,	21,	2979,	3673,	2264,	209,0
1706,	85250,	3178,	23,	2944,	3650,	2302,	194,0
1707,	85300,	3210,	26,	2910,	3626,	2340,	180,0
1708,	85350,	3241,	29,	2875,	3602,	2378,	166,0
1709,	85400,	3272,	34,	2840,	3577,	2415,	153,0
1710,	85450,	3302,	39,	2805,	3552,	2453,	141,0
1711,	85500,	3332,	44,	2769,	3526,	2490,	130,0
1712,	85550,	3361,	51,	2733,	3500,	2527,	119,0
1713,	85600,	3390,	58,	2697,	3473,	2564,	109,0
1714,	85650,	3419,	66,	2661,	3446,	2601,	99,0
1715,	85700,	3447,	74,	2624,	3418,	2637,	91,0
1716,	85750,	3474,	84,	2587,	3389,	2674,	83,0
1717,	85800,	3501,	94,	2550,	3360,	2710,	75,0
1718,	85850,	3528,	104,	2513,	3331,	2746,	69,0
1719,	85900,	3553,	116,	2476,	3301,	2781,	63,0
1720,	85950,	3579,	128,	2438,	3271,	2817,	58,0
1721,	86000,	3604,	141,	2401,	3240,	2852,	53,0
1722,	86050,	3628,	154,	2363,	3209,	2887,	49,0
1723,	86100,	3652,	168,	2325,	3178,	2921,	46,0
1724,	86150,	3675,	183,	2287,	3146,	2955,	44,0
1725,	86200,	3698,	198,	2249,	3113,	2989,	42,0
1726,	86250,	3720,	214,	2211,	3081,	3023,	41,0
1727,	86300,	3741,	231,	2173,	3048,	3056,	41,0

1728, 86350, 3762, 248, 2135, 3014, 3089, 42,0
1729, 86400, 3782, 266, 2097, 2981, 3121, 43,0
1730, 86450, 3802, 285, 2058, 2946, 3153, 45,0
1731, 86500, 3821, 304, 2020, 2912, 3185, 48,0
1732, 86550, 3839, 324, 1982, 2877, 3216, 51,0
1733, 86600, 3857, 345, 1944, 2842, 3247, 55,0
1734, 86650, 3874, 366, 1905, 2807, 3277, 60,0
1735, 86700, 3890, 387, 1867, 2771, 3307, 66,0
1736, 86750, 3906, 410, 1829, 2735, 3337, 72,0
1737, 86800, 3921, 433, 1791, 2699, 3366, 79,0
1738, 86850, 3936, 456, 1753, 2663, 3394, 87,0
1739, 86900, 3949, 480, 1715, 2627, 3422, 95,0
1740, 86950, 3962, 505, 1678, 2590, 3450, 104,0
1741, 87000, 3975, 530, 1640, 2553, 3477, 114,0
1742, 87050, 3987, 555, 1603, 2516, 3503, 125,0
1743, 87100, 3998, 582, 1565, 2478, 3529, 136,0
1744, 87150, 4008, 608, 1528, 2441, 3555, 148,0
1745, 87200, 4018, 636, 1491, 2403, 3580, 160,0
1746, 87250, 4027, 663, 1455, 2366, 3604, 173,0
1747, 87300, 4035, 692, 1418, 2328, 3628, 187,0
1748, 87350, 4042, 720, 1382, 2290, 3651, 202,0
1749, 87400, 4049, 749, 1346, 2252, 3674, 217,0
1750, 87450, 4055, 779, 1310, 2214, 3696, 233,0

1751, 87500, 4061, 809, 1275, 2176, 3718, 250,0
1752, 87550, 4065, 840, 1239, 2137, 3739, 267,0
1753, 87600, 4069, 871, 1204, 2099, 3759, 285,0
1754, 87650, 4073, 902, 1170, 2061, 3779, 303,0
1755, 87700, 4075, 934, 1135, 2023, 3798, 322,0
1756, 87750, 4077, 966, 1101, 1984, 3816, 342,0
1757, 87800, 4078, 999, 1068, 1946, 3834, 362,0
1758, 87850, 4079, 1032, 1034, 1908, 3851, 383,0
1759, 87900, 4078, 1065, 1001, 1870, 3868, 405,0
1760, 87950, 4077, 1099, 969, 1832, 3884, 427,0
1761, 88000, 4075, 1132, 936, 1794, 3899, 449,0
1762, 88050, 4073, 1167, 905, 1756, 3914, 473,0
1763, 88100, 4070, 1201, 873, 1718, 3927, 496,0
1764, 88150, 4066, 1236, 842, 1680, 3941, 521,0
1765, 88200, 4061, 1272, 812, 1643, 3953, 546,0
1766, 88250, 4056, 1307, 781, 1605, 3965, 571,0
1767, 88300, 4050, 1343, 752, 1568, 3976, 597,0
1768, 88350, 4043, 1379, 722, 1531, 3987, 624,0
1769, 88400, 4035, 1415, 694, 1494, 3997, 651,0
1770, 88450, 4027, 1452, 665, 1457, 4006, 678,0
1771, 88500, 4018, 1488, 638, 1420, 4014, 706,0
1772, 88550, 4008, 1525, 610, 1384, 4022, 735,0
1773, 88600, 3998, 1562, 583, 1348, 4029, 764,0

1774, 88650, 3987, 1600, 557, 1312, 4035, 793,0
1775, 88700, 3975, 1637, 531, 1277, 4041, 823,0
1776, 88750, 3963, 1674, 506, 1241, 4046, 854,0
1777, 88800, 3950, 1712, 482, 1206, 4050, 885,0
1778, 88850, 3936, 1750, 458, 1172, 4053, 916,0
1779, 88900, 3922, 1788, 434, 1137, 4056, 947,0
1780, 88950, 3907, 1826, 411, 1103, 4058, 979,0
1781, 89000, 3891, 1864, 389, 1069, 4059, 1012,0
1782, 89050, 3875, 1902, 367, 1036, 4060, 1045,0
1783, 89100, 3858, 1940, 346, 1003, 4060, 1078,0
1784, 89150, 3840, 1979, 325, 970, 4059, 1111,0
1785, 89200, 3822, 2017, 305, 938, 4057, 1145,0
1786, 89250, 3803, 2055, 286, 906, 4055, 1179,0
1787, 89300, 3783, 2093, 267, 874, 4052, 1214,0
1788, 89350, 3763, 2132, 249, 843, 4048, 1248,0
1789, 89400, 3742, 2170, 231, 813, 4044, 1284,0
1790, 89450, 3721, 2208, 215, 783, 4038, 1319,0
1791, 89500, 3699, 2246, 198, 753, 4032, 1354,0
1792, 89550, 3676, 2284, 183, 723, 4026, 1390,0
1793, 89600, 3653, 2322, 168, 695, 4018, 1426,0
1794, 89650, 3629, 2360, 154, 666, 4010, 1463,0
1795, 89700, 3605, 2398, 140, 638, 4002, 1499,0
1796, 89750, 3580, 2436, 128, 611, 3992, 1536,0

1797, 89800, 3555, 2473, 115, 584, 3982, 1573,0
1798, 89850, 3529, 2511, 104, 558, 3971, 1610,0
1799, 89900, 3502, 2548, 93, 532, 3960, 1647,0
1800, 89950, 3475, 2585, 83, 507, 3948, 1685,0
1801, 90000, 3448, 2622, 74, 482, 3935, 1722,0
1802, 90050, 3420, 2658, 65, 458, 3921, 1760,0
1803, 90100, 3391, 2695, 57, 434, 3907, 1798,0
1804, 90150, 3362, 2731, 50, 411, 3892, 1836,0
1805, 90200, 3333, 2767, 43, 388, 3877, 1874,0
1806, 90250, 3303, 2802, 37, 367, 3860, 1912,0
1807, 90300, 3273, 2838, 32, 345, 3844, 1950,0
1808, 90350, 3242, 2873, 28, 325, 3826, 1988,0
1809, 90400, 3211, 2908, 24, 305, 3808, 2026,0
1810, 90450, 3179, 2942, 21, 285, 3789, 2064,0
1811, 90500, 3147, 2977, 19, 266, 3770, 2103,0
1812, 90550, 3115, 3011, 17, 248, 3750, 2141,0
1813, 90600, 3082, 3044, 17, 230, 3729, 2179,0
1814, 90650, 3049, 3077, 17, 214, 3708, 2217,0
1815, 90700, 3016, 3110, 17, 197, 3686, 2255,0
1816, 90750, 2982, 3143, 19, 182, 3664, 2293,0
1817, 90800, 2948, 3175, 21, 167, 3641, 2331,0
1818, 90850, 2913, 3206, 23, 152, 3617, 2369,0
1819, 90900, 2878, 3238, 27, 139, 3593, 2407,0

1820, 90950, 2843, 3268, 31, 126, 3568, 2444,0
1821, 91000, 2808, 3299, 36, 114, 3543, 2482,0
1822, 91050, 2772, 3329, 42, 102, 3517, 2519,0
1823, 91100, 2736, 3358, 48, 91, 3491, 2556,0
1824, 91150, 2700, 3387, 55, 81, 3464, 2593,0
1825, 91200, 2664, 3416, 63, 71, 3437, 2630,0
1826, 91250, 2627, 3444, 72, 63, 3409, 2666,0
1827, 91300, 2590, 3472, 81, 55, 3381, 2703,0
1828, 91350, 2553, 3499, 91, 47, 3352, 2739,0
1829, 91400, 2516, 3525, 101, 41, 3323, 2775,0
1830, 91450, 2479, 3551, 113, 35, 3293, 2811,0
1831, 91500, 2441, 3577, 125, 29, 3263, 2846,0
1832, 91550, 2404, 3602, 137, 25, 3232, 2881,0
1833, 91600, 2366, 3626, 151, 21, 3201, 2916,0
1834, 91650, 2328, 3650, 165, 18, 3170, 2950,0
1835, 91700, 2290, 3673, 179, 16, 3138, 2985,0
1836, 91750, 2252, 3696, 195, 14, 3106, 3018,0
1837, 91800, 2214, 3718, 211, 13, 3073, 3052,0
1838, 91850, 2176, 3740, 227, 13, 3040, 3085,0
1839, 91900, 2137, 3761, 245, 13, 3007, 3118,0
1840, 91950, 2099, 3781, 263, 14, 2973, 3151,0
1841, 92000, 2061, 3801, 281, 16, 2939, 3183,0
1842, 92050, 2023, 3820, 300, 19, 2905, 3214,0

1843, 92100, 1984, 3838, 320, 22, 2870, 3246,0
1844, 92150, 1946, 3856, 341, 27, 2835, 3276,0
1845, 92200, 1908, 3873, 362, 31, 2800, 3307,0
1846, 92250, 1870, 3890, 383, 37, 2765, 3337,0
1847, 92300, 1831, 3906, 406, 43, 2729, 3366,0
1848, 92350, 1793, 3921, 428, 50, 2693, 3395,0
1849, 92400, 1755, 3935, 452, 58, 2656, 3424,0
1850, 92450, 1718, 3949, 476, 66, 2620, 3452,0
1851, 92500, 1680, 3962, 500, 75, 2583, 3480,0
1852, 92550, 1642, 3975, 525, 85, 2546, 3507,0
1853, 92600, 1605, 3987, 551, 96, 2509, 3534,0
1854, 92650, 1568, 3998, 577, 107, 2472, 3560,0
1855, 92700, 1530, 4008, 604, 119, 2435, 3585,0
1856, 92750, 1493, 4018, 631, 131, 2397, 3610,0
1857, 92800, 1457, 4027, 659, 145, 2360, 3635,0
1858, 92850, 1420, 4035, 687, 158, 2322, 3659,0
1859, 92900, 1384, 4043, 716, 173, 2284, 3682,0
1860, 92950, 1348, 4050, 745, 188, 2246, 3705,0
1861, 93000, 1312, 4056, 774, 204, 2208, 3727,0
1862, 93050, 1276, 4062, 804, 221, 2170, 3748,0
1863, 93100, 1241, 4067, 835, 238, 2132, 3769,0
1864, 93150, 1206, 4071, 866, 256, 2093, 3790,0
1865, 93200, 1171, 4074, 897, 274, 2055, 3810,0

1866, 93250, 1137, 4077, 929, 293, 2017, 3829,0
1867, 93300, 1103, 4079, 961, 313, 1979, 3847,0
1868, 93350, 1069, 4080, 994, 333, 1940, 3865,0
1869, 93400, 1036, 4080, 1027, 354, 1902, 3883,0
1870, 93450, 1003, 4080, 1060, 376, 1864, 3899,0
1871, 93500, 970, 4079, 1094, 398, 1826, 3915,0
1872, 93550, 938, 4077, 1128, 421, 1788, 3930,0
1873, 93600, 906, 4075, 1162, 444, 1750, 3945,0
1874, 93650, 874, 4072, 1196, 468, 1712, 3959,0
1875, 93700, 843, 4068, 1231, 492, 1675, 3972,0
1876, 93750, 812, 4063, 1267, 517, 1637, 3985,0
1877, 93800, 782, 4058, 1302, 543, 1600, 3997,0
1878, 93850, 753, 4052, 1338, 569, 1562, 4008,0
1879, 93900, 723, 4046, 1374, 596, 1525, 4019,0
1880, 93950, 694, 4038, 1410, 623, 1488, 4029,0
1881, 94000, 666, 4030, 1447, 650, 1452, 4038,0
1882, 94050, 638, 4021, 1483, 678, 1415, 4046,0
1883, 94100, 611, 4012, 1520, 707, 1379, 4054,0
1884, 94150, 584, 4001, 1557, 736, 1343, 4061,0
1885, 94200, 558, 3990, 1595, 766, 1307, 4068,0
1886, 94250, 532, 3979, 1632, 796, 1271, 4073,0
1887, 94300, 507, 3967, 1670, 826, 1236, 4078,0
1888, 94350, 482, 3954, 1707, 857, 1201, 4082,0

1889, 94400, 458, 3940, 1745, 888, 1166, 4086,0
1890, 94450, 434, 3926, 1783, 920, 1132, 4089,0
1891, 94500, 411, 3911, 1821, 952, 1098, 4091,0
1892, 94550, 389, 3895, 1859, 985, 1064, 4092,0
1893, 94600, 367, 3879, 1897, 1017, 1031, 4093,0
1894, 94650, 346, 3862, 1936, 1051, 997, 4093,0
1895, 94700, 325, 3844, 1974, 1084, 965, 4092,0
1896, 94750, 305, 3826, 2012, 1118, 932, 4090,0
1897, 94800, 285, 3807, 2051, 1152, 901, 4088,0
1898, 94850, 267, 3787, 2089, 1187, 869, 4085,0
1899, 94900, 249, 3767, 2127, 1222, 838, 4081,0
1900, 94950, 231, 3747, 2165, 1257, 807, 4077,0
1901, 95000, 214, 3725, 2204, 1293, 777, 4072,0
1902, 95050, 198, 3703, 2242, 1328, 747, 4066,0
1903, 95100, 182, 3681, 2280, 1364, 718, 4060,0
1904, 95150, 167, 3658, 2318, 1401, 689, 4052,0
1905, 95200, 153, 3634, 2356, 1437, 660, 4044,0
1906, 95250, 140, 3610, 2394, 1474, 633, 4036,0
1907, 95300, 127, 3585, 2431, 1510, 605, 4026,0
1908, 95350, 115, 3560, 2469, 1548, 578, 4016,0
1909, 95400, 103, 3534, 2506, 1585, 552, 4006,0
1910, 95450, 92, 3507, 2544, 1622, 526, 3994,0
1911, 95500, 82, 3480, 2581, 1660, 501, 3982,0

1912, 95550, 73, 3453, 2618, 1697, 476, 3969,0
1913, 95600, 64, 3425, 2654, 1735, 452, 3956,0
1914, 95650, 56, 3397, 2691, 1773, 428, 3942,0
1915, 95700, 49, 3368, 2727, 1811, 405, 3927,0
1916, 95750, 42, 3338, 2763, 1849, 382, 3911,0
1917, 95800, 36, 3308, 2799, 1887, 360, 3895,0
1918, 95850, 31, 3278, 2834, 1926, 339, 3878,0
1919, 95900, 26, 3247, 2869, 1964, 318, 3861,0
1920, 95950, 23, 3216, 2904, 2002, 298, 3843,0
1921, 96000, 20, 3185, 2939, 2041, 279, 3824,0
1922, 96050, 17, 3153, 2973, 2079, 260, 3805,0
1923, 96100, 16, 3120, 3007, 2117, 241, 3785,0
1924, 96150, 15, 3088, 3041, 2156, 224, 3764,0
1925, 96200, 15, 3055, 3074, 2194, 207, 3743,0
1926, 96250, 15, 3021, 3107, 2232, 190, 3721,0
1927, 96300, 17, 2987, 3140, 2270, 175, 3699,0
1928, 96350, 19, 2953, 3172, 2308, 160, 3676,0
1929, 96400, 21, 2919, 3204, 2346, 145, 3653,0
1930, 96450, 25, 2884, 3235, 2384, 132, 3628,0
1931, 96500, 29, 2849, 3266, 2422, 119, 3604,0
1932, 96550, 34, 2813, 3296, 2459, 106, 3579,0
1933, 96600, 40, 2778, 3326, 2497, 95, 3553,0
1934, 96650, 46, 2742, 3356, 2534, 84, 3527,0

1935, 96700, 53, 2706, 3385, 2571, 73, 3500,0
1936, 96750, 61, 2669, 3414, 2608, 64, 3473,0
1937, 96800, 69, 2633, 3442, 2645, 55, 3445,0
1938, 96850, 78, 2596, 3469, 2681, 47, 3417,0
1939, 96900, 88, 2559, 3497, 2718, 39, 3388,0
1940, 96950, 99, 2522, 3523, 2754, 32, 3359,0
1941, 97000, 110, 2484, 3549, 2789, 26, 3329,0
1942, 97050, 122, 2447, 3575, 2825, 21, 3299,0
1943, 97100, 135, 2409, 3600, 2860, 16, 3268,0
1944, 97150, 148, 2372, 3625, 2895, 13, 3237,0
1945, 97200, 162, 2334, 3649, 2930, 9, 3206,0
1946, 97250, 177, 2296, 3672, 2964, 7, 3174,0
1947, 97300, 192, 2258, 3695, 2998, 5, 3142,0
1948, 97350, 208, 2219, 3717, 3032, 4, 3109,0
1949, 97400, 225, 2181, 3739, 3065, 4, 3076,0
1950, 97450, 242, 2143, 3760, 3098, 4, 3043,0
1951, 97500, 260, 2105, 3780, 3131, 5, 3009,0
1952, 97550, 278, 2066, 3800, 3163, 7, 2975,0
1953, 97600, 297, 2028, 3819, 3195, 10, 2941,0
1954, 97650, 317, 1990, 3837, 3226, 13, 2906,0
1955, 97700, 338, 1951, 3855, 3257, 17, 2872,0
1956, 97750, 359, 1913, 3873, 3288, 22, 2836,0
1957, 97800, 380, 1875, 3889, 3318, 27, 2801,0

1958, 97850, 403, 1837, 3905, 3348, 33, 2765,0
1959, 97900, 425, 1799, 3921, 3377, 40, 2729,0
1960, 97950, 449, 1761, 3935, 3406, 48, 2693,0
1961, 98000, 473, 1723, 3949, 3434, 56, 2656,0
1962, 98050, 497, 1685, 3962, 3462, 65, 2620,0
1963, 98100, 522, 1647, 3975, 3489, 75, 2583,0
1964, 98150, 548, 1610, 3987, 3516, 85, 2546,0
1965, 98200, 574, 1572, 3998, 3542, 96, 2508,0
1966, 98250, 601, 1535, 4009, 3567, 108, 2471,0
1967, 98300, 628, 1498, 4019, 3593, 121, 2433,0
1968, 98350, 656, 1461, 4028, 3617, 134, 2396,0
1969, 98400, 684, 1425, 4036, 3641, 147, 2358,0
1970, 98450, 712, 1388, 4044, 3665, 162, 2320,0
1971, 98500, 742, 1352, 4051, 3688, 177, 2282,0
1972, 98550, 771, 1316, 4057, 3710, 193, 2244,0
1973, 98600, 801, 1281, 4063, 3732, 209, 2206,0
1974, 98650, 832, 1245, 4068, 3753, 226, 2168,0
1975, 98700, 863, 1210, 4072, 3773, 244, 2130,0
1976, 98750, 894, 1175, 4075, 3793, 263, 2091,0
1977, 98800, 926, 1141, 4078, 3812, 282, 2053,0
1978, 98850, 958, 1107, 4080, 3831, 301, 2015,0
1979, 98900, 991, 1073, 4081, 3849, 321, 1977,0
1980, 98950, 1023, 1039, 4082, 3866, 342, 1938,0

1981, 99000, 1057, 1006, 4082, 3883, 364, 1900,0
1982, 99050, 1090, 974, 4081, 3899, 386, 1862,0
1983, 99100, 1124, 941, 4079, 3915, 408, 1824,0
1984, 99150, 1159, 909, 4077, 3929, 432, 1786,0
1985, 99200, 1193, 878, 4074, 3944, 455, 1748,0
1986, 99250, 1228, 846, 4070, 3957, 480, 1711,0
1987, 99300, 1264, 816, 4066, 3970, 505, 1673,0
1988, 99350, 1299, 785, 4061, 3982, 530, 1635,0
1989, 99400, 1335, 756, 4055, 3993, 556, 1598,0
1990, 99450, 1371, 726, 4048, 4004, 583, 1561,0
1991, 99500, 1407, 697, 4041, 4014, 610, 1524,0
1992, 99550, 1444, 669, 4033, 4023, 637, 1487,0
1993, 99600, 1480, 641, 4024, 4032, 665, 1451,0
1994, 99650, 1517, 613, 4015, 4039, 694, 1414,0
1995, 99700, 1554, 586, 4004, 4047, 723, 1378,0
1996, 99750, 1592, 560, 3994, 4053, 752, 1342,0
1997, 99800, 1629, 534, 3982, 4059, 782, 1307,0
1998, 99850, 1667, 509, 3970, 4064, 812, 1271,0
1999, 99900, 1704, 484, 3957, 4068, 843, 1236,0
2000, 99950, 1742, 460, 3943, 4072, 874, 1201,0
2001, 100000, 1780, 436, 3929, 4075, 906, 1167,0
2002, 100050, 1818, 413, 3914, 4077, 938, 1133,0
2003, 100100, 1856, 390, 3898, 4078, 970, 1099,0

2004, 100150, 1895, 368, 3882, 4079, 1003, 1066,0
2005, 100200, 1933, 347, 3865, 4079, 1036, 1032,0
2006, 100250, 1971, 326, 3848, 4078, 1070, 1000,0
2007, 100300, 2009, 306, 3830, 4077, 1104, 967,0
2008, 100350, 2048, 287, 3811, 4074, 1138, 935,0
2009, 100400, 2086, 268, 3791, 4071, 1172, 904,0
2010, 100450, 2125, 250, 3771, 4068, 1207, 872,0
2011, 100500, 2163, 232, 3751, 4063, 1242, 842,0
2012, 100550, 2201, 215, 3729, 4058, 1278, 811,0
2013, 100600, 2239, 199, 3707, 4053, 1313, 781,0
2014, 100650, 2277, 183, 3685, 4046, 1349, 752,0
2015, 100700, 2315, 168, 3662, 4039, 1385, 723,0
2016, 100750, 2353, 154, 3638, 4031, 1422, 695,0
2017, 100800, 2391, 140, 3614, 4022, 1458, 667,0
2018, 100850, 2429, 127, 3589, 4013, 1495, 639,0
2019, 100900, 2467, 115, 3564, 4003, 1532, 612,0
2020, 100950, 2504, 103, 3538, 3992, 1569, 586,0
2021, 101000, 2541, 92, 3512, 3981, 1607, 560,0
2022, 101050, 2579, 82, 3485, 3969, 1644, 534,0
2023, 101100, 2615, 72, 3458, 3956, 1682, 509,0
2024, 101150, 2652, 64, 3430, 3942, 1720, 485,0
2025, 101200, 2689, 55, 3401, 3928, 1758, 461,0
2026, 101250, 2725, 48, 3372, 3913, 1796, 438,0

2027, 101300, 2761, 41, 3343, 3898, 1834, 415,0
2028, 101350, 2797, 35, 3313, 3882, 1872, 393,0
2029, 101400, 2832, 30, 3283, 3865, 1910, 372,0
2030, 101450, 2868, 25, 3252, 3848, 1948, 351,0
2031, 101500, 2903, 22, 3221, 3829, 1986, 331,0
2032, 101550, 2937, 18, 3190, 3811, 2025, 311,0
2033, 101600, 2972, 16, 3158, 3791, 2063, 292,0
2034, 101650, 3006, 14, 3125, 3771, 2101, 274,0
2035, 101700, 3039, 13, 3093, 3751, 2140, 256,0
2036, 101750, 3073, 13, 3060, 3730, 2178, 239,0
2037, 101800, 3106, 14, 3026, 3708, 2216, 223,0
2038, 101850, 3138, 15, 2992, 3686, 2254, 207,0
2039, 101900, 3170, 17, 2958, 3663, 2292, 192,0
2040, 101950, 3202, 19, 2924, 3639, 2330, 177,0
2041, 102000, 3234, 23, 2889, 3615, 2368, 163,0
2042, 102050, 3265, 27, 2854, 3590, 2406, 150,0
2043, 102100, 3295, 32, 2819, 3565, 2443, 138,0
2044, 102150, 3325, 37, 2783, 3539, 2481, 126,0
2045, 102200, 3355, 43, 2747, 3513, 2518, 115,0
2046, 102250, 3384, 50, 2711, 3486, 2555, 105,0
2047, 102300, 3413, 58, 2674, 3459, 2592, 95,0
2048, 102350, 3441, 66, 2638, 3431, 2629, 86,0
2049, 102400, 3469, 76, 2601, 3403, 2665, 78,0

2050, 102450, 3496, 85, 2564, 3374, 2701, 70,0
2051, 102500, 3523, 96, 2527, 3345, 2737, 63,0
2052, 102550, 3549, 107, 2490, 3315, 2773, 57,0
2053, 102600, 3574, 119, 2452, 3285, 2809, 52,0
2054, 102650, 3599, 131, 2414, 3254, 2844, 47,0
2055, 102700, 3624, 145, 2377, 3223, 2879, 43,0
2056, 102750, 3648, 158, 2339, 3192, 2914, 40,0
2057, 102800, 3671, 173, 2301, 3160, 2948, 37,0
2058, 102850, 3694, 188, 2262, 3128, 2982, 35,0
2059, 102900, 3717, 204, 2224, 3095, 3016, 34,0
2060, 102950, 3738, 221, 2186, 3062, 3049, 34,0
2061, 103000, 3759, 238, 2148, 3029, 3082, 34,0
2062, 103050, 3780, 256, 2109, 2995, 3115, 35,0
2063, 103100, 3800, 274, 2071, 2961, 3147, 37,0
2064, 103150, 3819, 293, 2033, 2926, 3179, 39,0
2065, 103200, 3837, 313, 1994, 2892, 3210, 43,0
2066, 103250, 3855, 333, 1956, 2857, 3241, 46,0
2067, 103300, 3873, 354, 1918, 2821, 3272, 51,0
2068, 103350, 3889, 376, 1879, 2786, 3302, 56,0
2069, 103400, 3905, 398, 1841, 2750, 3332, 62,0
2070, 103450, 3921, 421, 1803, 2714, 3361, 69,0
2071, 103500, 3936, 444, 1765, 2677, 3390, 77,0
2072, 103550, 3950, 468, 1727, 2641, 3418, 85,0

2073, 103600, 3963, 493, 1689, 2604, 3446, 94,0
2074, 103650, 3976, 518, 1652, 2567, 3473, 103,0
2075, 103700, 3988, 543, 1614, 2530, 3500, 114,0
2076, 103750, 3999, 569, 1577, 2493, 3526, 125,0
2077, 103800, 4009, 596, 1539, 2455, 3552, 136,0
2078, 103850, 4019, 623, 1502, 2417, 3577, 149,0
2079, 103900, 4029, 651, 1466, 2380, 3602, 162,0
2080, 103950, 4037, 679, 1429, 2342, 3626, 175,0
2081, 104000, 4045, 707, 1392, 2304, 3649, 190,0
2082, 104050, 4052, 736, 1356, 2266, 3672, 205,0
2083, 104100, 4058, 766, 1320, 2228, 3695, 221,0
2084, 104150, 4064, 796, 1285, 2189, 3717, 237,0
2085, 104200, 4069, 826, 1249, 2151, 3738, 254,0
2086, 104250, 4073, 857, 1214, 2113, 3758, 272,0
2087, 104300, 4077, 889, 1179, 2074, 3778, 290,0
2088, 104350, 4079, 920, 1145, 2036, 3798, 309,0
2089, 104400, 4081, 953, 1110, 1998, 3816, 328,0
2090, 104450, 4083, 985, 1076, 1959, 3834, 349,0
2091, 104500, 4083, 1018, 1043, 1921, 3852, 369,0
2092, 104550, 4083, 1051, 1010, 1883, 3869, 391,0
2093, 104600, 4083, 1085, 977, 1844, 3885, 413,0
2094, 104650, 4081, 1119, 944, 1806, 3900, 435,0
2095, 104700, 4079, 1153, 912, 1768, 3915, 458,0

2096, 104750, 4076, 1188, 881, 1730, 3929, 482,0
2097, 104800, 4072, 1223, 849, 1692, 3943, 506,0
2098, 104850, 4068, 1258, 819, 1655, 3956, 531,0
2099, 104900, 4062, 1293, 788, 1617, 3968, 557,0
2100, 104950, 4057, 1329, 758, 1580, 3979, 582,0
2101, 105000, 4050, 1365, 729, 1542, 3990, 609,0
2102, 105050, 4043, 1401, 700, 1505, 4000, 636,0
2103, 105100, 4035, 1438, 671, 1468, 4010, 663,0
2104, 105150, 4026, 1475, 643, 1432, 4018, 691,0
2105, 105200, 4017, 1512, 616, 1395, 4026, 720,0
2106, 105250, 4006, 1549, 589, 1359, 4033, 749,0
2107, 105300, 3996, 1586, 562, 1323, 4040, 778,0
2108, 105350, 3984, 1623, 536, 1287, 4046, 808,0
2109, 105400, 3972, 1661, 511, 1252, 4051, 838,0
2110, 105450, 3959, 1699, 486, 1217, 4055, 869,0
2111, 105500, 3946, 1737, 462, 1182, 4059, 900,0
2112, 105550, 3931, 1775, 438, 1147, 4062, 931,0
2113, 105600, 3916, 1813, 415, 1113, 4064, 963,0
2114, 105650, 3901, 1851, 392, 1079, 4066, 996,0
2115, 105700, 3885, 1889, 370, 1045, 4066, 1029,0
2116, 105750, 3868, 1927, 349, 1012, 4067, 1062,0
2117, 105800, 3850, 1966, 328, 979, 4066, 1095,0
2118, 105850, 3832, 2004, 308, 947, 4065, 1129,0

2119, 105900, 3813, 2042, 288, 914, 4062, 1163,0
2120, 105950, 3794, 2081, 269, 883, 4060, 1198,0
2121, 106000, 3774, 2119, 251, 851, 4056, 1232,0
2122, 106050, 3753, 2157, 233, 821, 4052, 1267,0
2123, 106100, 3732, 2196, 216, 790, 4047, 1303,0
2124, 106150, 3710, 2234, 199, 760, 4041, 1338,0
2125, 106200, 3688, 2272, 184, 731, 4035, 1374,0
2126, 106250, 3665, 2310, 169, 702, 4028, 1410,0
2127, 106300, 3641, 2348, 154, 673, 4020, 1447,0
2128, 106350, 3617, 2386, 140, 645, 4011, 1483,0
2129, 106400, 3592, 2424, 127, 617, 4002, 1520,0
2130, 106450, 3567, 2462, 115, 590, 3992, 1557,0
2131, 106500, 3541, 2499, 103, 563, 3982, 1594,0
2132, 106550, 3515, 2536, 92, 537, 3970, 1631,0
2133, 106600, 3488, 2574, 82, 512, 3958, 1669,0
2134, 106650, 3460, 2611, 72, 487, 3946, 1707,0
2135, 106700, 3433, 2647, 63, 462, 3932, 1744,0
2136, 106750, 3404, 2684, 55, 439, 3918, 1782,0
2137, 106800, 3375, 2720, 48, 415, 3904, 1820,0
2138, 106850, 3346, 2756, 41, 393, 3888, 1858,0
2139, 106900, 3316, 2792, 35, 370, 3872, 1896,0
2140, 106950, 3286, 2828, 29, 349, 3855, 1934,0
2141, 107000, 3255, 2863, 25, 328, 3838, 1973,0

2142, 107050, 3224, 2898, 21, 308, 3820, 2011,0
2143, 107100, 3193, 2933, 17, 288, 3802, 2049,0
2144, 107150, 3161, 2967, 15, 269, 3782, 2087,0
2145, 107200, 3128, 3001, 13, 250, 3763, 2126,0
2146, 107250, 3096, 3035, 12, 233, 3742, 2164,0
2147, 107300, 3063, 3069, 12, 215, 3721, 2202,0
2148, 107350, 3029, 3102, 12, 199, 3699, 2240,0
2149, 107400, 2995, 3134, 13, 183, 3677, 2278,0
2150, 107450, 2961, 3167, 15, 168, 3654, 2316,0
2151, 107500, 2927, 3198, 18, 153, 3631, 2354,0
2152, 107550, 2892, 3230, 21, 139, 3607, 2392,0
2153, 107600, 2857, 3261, 25, 126, 3582, 2430,0
2154, 107650, 2821, 3292, 30, 114, 3557, 2468,0
2155, 107700, 2786, 3322, 35, 102, 3532, 2505,0
2156, 107750, 2750, 3352, 41, 91, 3505, 2542,0
2157, 107800, 2714, 3381, 48, 80, 3479, 2579,0
2158, 107850, 2677, 3410, 56, 70, 3452, 2616,0
2159, 107900, 2641, 3438, 64, 61, 3424, 2653,0
2160, 107950, 2604, 3466, 73, 53, 3396, 2690,0
2161, 108000, 2567, 3493, 83, 45, 3367, 2726,0
2162, 108050, 2530, 3520, 93, 39, 3338, 2762,0
2163, 108100, 2492, 3546, 104, 32, 3308, 2798,0
2164, 108150, 2455, 3572, 116, 27, 3278, 2833,0

2165, 108200, 2417, 3597, 129, 22, 3248, 2869,0
2166, 108250, 2379, 3622, 142, 18, 3217, 2904,0
2167, 108300, 2341, 3646, 155, 15, 3185, 2938,0
2168, 108350, 2303, 3669, 170, 12, 3153, 2973,0
2169, 108400, 2265, 3692, 185, 10, 3121, 3007,0
2170, 108450, 2227, 3715, 201, 9, 3089, 3041,0
2171, 108500, 2189, 3736, 217, 8, 3056, 3074,0
2172, 108550, 2150, 3758, 235, 9, 3022, 3107,0
2173, 108600, 2112, 3778, 252, 10, 2989, 3140,0
2174, 108650, 2074, 3798, 271, 11, 2955, 3172,0
2175, 108700, 2035, 3817, 290, 14, 2921, 3204,0
2176, 108750, 1997, 3836, 310, 17, 2886, 3235,0
2177, 108800, 1959, 3854, 330, 21, 2851, 3266,0
2178, 108850, 1920, 3872, 351, 26, 2816, 3297,0
2179, 108900, 1882, 3888, 372, 31, 2780, 3327,0
2180, 108950, 1844, 3904, 394, 37, 2744, 3357,0
2181, 109000, 1806, 3920, 417, 44, 2708, 3386,0
2182, 109050, 1768, 3935, 440, 51, 2672, 3415,0
2183, 109100, 1730, 3949, 464, 59, 2636, 3443,0
2184, 109150, 1692, 3962, 489, 68, 2599, 3471,0
2185, 109200, 1654, 3975, 514, 78, 2562, 3499,0
2186, 109250, 1616, 3987, 539, 88, 2525, 3525,0
2187, 109300, 1579, 3999, 565, 99, 2488, 3552,0

2188, 109350, 1542, 4009, 592, 111, 2450, 3578,0
2189, 109400, 1505, 4019, 619, 123, 2413, 3603,0
2190, 109450, 1468, 4029, 646, 136, 2375, 3628,0
2191, 109500, 1431, 4037, 674, 150, 2337, 3652,0
2192, 109550, 1394, 4045, 703, 164, 2299, 3675,0
2193, 109600, 1358, 4052, 732, 179, 2261, 3698,0
2194, 109650, 1322, 4059, 762, 195, 2223, 3721,0
2195, 109700, 1286, 4065, 792, 211, 2185, 3743,0
2196, 109750, 1251, 4070, 822, 228, 2147, 3764,0
2197, 109800, 1216, 4074, 853, 246, 2108, 3784,0
2198, 109850, 1181, 4077, 884, 264, 2070, 3805,0
2199, 109900, 1146, 4080, 916, 283, 2032, 3824,0
2200, 109950, 1112, 4083, 948, 303, 1993, 3843,0
2201, 110000, 1078, 4084, 980, 323, 1955, 3861,0
2202, 110050, 1044, 4085, 1013, 344, 1917, 3878,0
2203, 110100, 1011, 4085, 1047, 365, 1879, 3895,0
2204, 110150, 978, 4084, 1080, 387, 1841, 3912,0
2205, 110200, 946, 4083, 1114, 410, 1802, 3927,0
2206, 110250, 914, 4080, 1148, 433, 1764, 3942,0
2207, 110300, 882, 4077, 1183, 457, 1726, 3956,0
2208, 110350, 851, 4074, 1218, 481, 1689, 3970,0
2209, 110400, 820, 4069, 1253, 506, 1651, 3983,0
2210, 110450, 790, 4064, 1289, 531, 1613, 3995,0

2211, 110500, 760, 4059, 1324, 557, 1576, 4006,0
2212, 110550, 730, 4052, 1360, 584, 1539, 4017,0
2213, 110600, 701, 4045, 1397, 611, 1502, 4027,0
2214, 110650, 672, 4037, 1433, 638, 1465, 4037,0
2215, 110700, 644, 4028, 1470, 666, 1428, 4046,0
2216, 110750, 617, 4019, 1507, 695, 1392, 4054,0
2217, 110800, 590, 4009, 1544, 724, 1355, 4061,0
2218, 110850, 563, 3998, 1581, 753, 1319, 4068,0
2219, 110900, 537, 3987, 1619, 783, 1284, 4073,0
2220, 110950, 512, 3975, 1656, 813, 1248, 4079,0
2221, 111000, 487, 3962, 1694, 844, 1213, 4083,0
2222, 111050, 462, 3949, 1732, 876, 1178, 4087,0
2223, 111100, 438, 3935, 1770, 907, 1143, 4090,0
2224, 111150, 415, 3920, 1808, 939, 1109, 4092,0
2225, 111200, 393, 3904, 1846, 972, 1075, 4094,0
2226, 111250, 370, 3888, 1884, 1004, 1042, 4095,0
2227, 111300, 349, 3871, 1923, 1038, 1008, 4095,0
2228, 111350, 328, 3854, 1961, 1071, 975, 4094,0
2229, 111400, 308, 3836, 1999, 1105, 943, 4093,0
2230, 111450, 288, 3817, 2038, 1139, 911, 4091,0
2231, 111500, 269, 3798, 2076, 1174, 879, 4088,0
2232, 111550, 251, 3778, 2115, 1209, 848, 4085,0
2233, 111600, 233, 3757, 2153, 1244, 817, 4081,0

2234, 111650, 216, 3736, 2191, 1279, 786, 4076,0
2235, 111700, 199, 3714, 2229, 1315, 756, 4070,0
2236, 111750, 184, 3692, 2268, 1351, 727, 4064,0
2237, 111800, 168, 3669, 2306, 1387, 698, 4057,0
2238, 111850, 154, 3645, 2344, 1424, 669, 4049,0
2239, 111900, 140, 3621, 2382, 1460, 641, 4041,0
2240, 111950, 127, 3597, 2420, 1497, 613, 4031,0
2241, 112000, 114, 3571, 2457, 1534, 586, 4022,0
2242, 112050, 103, 3546, 2495, 1572, 559, 4011,0
2243, 112100, 92, 3519, 2532, 1609, 533, 4000,0
2244, 112150, 81, 3492, 2569, 1647, 508, 3988,0
2245, 112200, 72, 3465, 2607, 1684, 483, 3975,0
2246, 112250, 63, 3437, 2643, 1722, 458, 3962,0
2247, 112300, 54, 3409, 2680, 1760, 434, 3948,0
2248, 112350, 47, 3380, 2716, 1798, 411, 3933,0
2249, 112400, 40, 3351, 2753, 1836, 388, 3918,0
2250, 112450, 34, 3321, 2788, 1875, 366, 3902,0
2251, 112500, 28, 3291, 2824, 1913, 344, 3886,0
2252, 112550, 24, 3260, 2859, 1951, 323, 3868,0
2253, 112600, 20, 3229, 2895, 1990, 303, 3850,0
2254, 112650, 16, 3198, 2929, 2028, 283, 3832,0
2255, 112700, 14, 3166, 2964, 2066, 264, 3813,0
2256, 112750, 12, 3134, 2998, 2105, 246, 3793,0

2257, 112800, 11, 3101, 3032, 2143, 228, 3773,0
2258, 112850, 11, 3068, 3065, 2181, 211, 3752,0
2259, 112900, 11, 3034, 3098, 2220, 194, 3730,0
2260, 112950, 12, 3001, 3131, 2258, 178, 3708,0
2261, 113000, 14, 2966, 3163, 2296, 163, 3685,0
2262, 113050, 16, 2932, 3195, 2334, 148, 3662,0
2263, 113100, 20, 2897, 3227, 2372, 134, 3638,0
2264, 113150, 23, 2862, 3258, 2410, 121, 3613,0
2265, 113200, 28, 2827, 3289, 2448, 108, 3588,0
2266, 113250, 34, 2791, 3319, 2485, 96, 3563,0
2267, 113300, 40, 2755, 3349, 2523, 85, 3536,0
2268, 113350, 46, 2719, 3378, 2560, 75, 3510,0
2269, 113400, 54, 2683, 3407, 2597, 65, 3483,0
2270, 113450, 62, 2646, 3435, 2634, 56, 3455,0
2271, 113500, 71, 2609, 3463, 2671, 47, 3427,0
2272, 113550, 81, 2572, 3491, 2707, 40, 3398,0
2273, 113600, 91, 2535, 3517, 2743, 32, 3369,0
2274, 113650, 102, 2498, 3544, 2779, 26, 3339,0
2275, 113700, 114, 2460, 3570, 2815, 21, 3309,0
2276, 113750, 126, 2423, 3595, 2850, 16, 3279,0
2277, 113800, 140, 2385, 3620, 2885, 12, 3248,0
2278, 113850, 153, 2347, 3644, 2920, 8, 3217,0
2279, 113900, 168, 2309, 3667, 2955, 5, 3185,0

2280, 113950, 183, 2271, 3690, 2989, 3, 3153,0
2281, 114000, 199, 2232, 3713, 3023, 2, 3120,0
2282, 114050, 215, 2194, 3735, 3056, 2, 3087,0
2283, 114100, 232, 2156, 3756, 3090, 2, 3054,0
2284, 114150, 250, 2117, 3777, 3122, 3, 3021,0
2285, 114200, 268, 2079, 3797, 3155, 4, 2987,0
2286, 114250, 287, 2041, 3816, 3187, 7, 2952,0
2287, 114300, 307, 2002, 3835, 3218, 10, 2918,0
2288, 114350, 327, 1964, 3853, 3250, 14, 2883,0
2289, 114400, 348, 1926, 3871, 3280, 18, 2848,0
2290, 114450, 370, 1887, 3887, 3311, 23, 2812,0
2291, 114500, 392, 1849, 3904, 3341, 29, 2776,0
2292, 114550, 414, 1811, 3919, 3370, 36, 2740,0
2293, 114600, 438, 1773, 3934, 3399, 43, 2704,0
2294, 114650, 462, 1735, 3948, 3427, 51, 2668,0
2295, 114700, 486, 1697, 3962, 3455, 60, 2631,0
2296, 114750, 511, 1659, 3975, 3483, 69, 2594,0
2297, 114800, 536, 1621, 3987, 3510, 80, 2557,0
2298, 114850, 562, 1584, 3998, 3536, 91, 2520,0
2299, 114900, 589, 1547, 4009, 3562, 102, 2482,0
2300, 114950, 616, 1509, 4019, 3588, 114, 2445,0
2301, 115000, 644, 1472, 4029, 3612, 127, 2407,0
2302, 115050, 672, 1436, 4037, 3637, 141, 2369,0

2303, 115100, 700, 1399, 4045, 3660, 155, 2331,0
2304, 115150, 729, 1363, 4053, 3684, 170, 2293,0
2305, 115200, 759, 1327, 4059, 3706, 186, 2255,0
2306, 115250, 789, 1291, 4065, 3728, 202, 2217,0
2307, 115300, 819, 1255, 4070, 3749, 219, 2179,0
2308, 115350, 850, 1220, 4075, 3770, 236, 2140,0
2309, 115400, 881, 1185, 4078, 3790, 255, 2102,0
2310, 115450, 913, 1151, 4081, 3810, 274, 2064,0
2311, 115500, 945, 1116, 4084, 3829, 293, 2025,0
2312, 115550, 978, 1082, 4085, 3847, 313, 1987,0
2313, 115600, 1010, 1049, 4086, 3865, 334, 1949,0
2314, 115650, 1044, 1015, 4086, 3882, 355, 1911,0
2315, 115700, 1077, 982, 4085, 3898, 377, 1872,0
2316, 115750, 1111, 950, 4084, 3914, 399, 1834,0
2317, 115800, 1145, 918, 4082, 3929, 422, 1796,0
2318, 115850, 1180, 886, 4079, 3943, 446, 1758,0
2319, 115900, 1215, 854, 4076, 3957, 470, 1720,0
2320, 115950, 1250, 824, 4071, 3970, 495, 1683,0
2321, 116000, 1286, 793, 4066, 3982, 520, 1645,0
2322, 116050, 1321, 763, 4061, 3993, 546, 1608,0
2323, 116100, 1357, 733, 4054, 4004, 573, 1570,0
2324, 116150, 1394, 704, 4047, 4015, 600, 1533,0
2325, 116200, 1430, 676, 4039, 4024, 627, 1496,0

2326, 116250, 1467, 647, 4031, 4033, 655, 1460,0
2327, 116300, 1504, 620, 4022, 4041, 683, 1423,0
2328, 116350, 1541, 593, 4012, 4049, 712, 1387,0
2329, 116400, 1578, 566, 4001, 4055, 741, 1351,0
2330, 116450, 1616, 540, 3990, 4061, 771, 1315,0
2331, 116500, 1653, 514, 3978, 4066, 802, 1280,0
2332, 116550, 1691, 489, 3965, 4071, 832, 1244,0
2333, 116600, 1729, 465, 3952, 4075, 863, 1209,0
2334, 116650, 1767, 441, 3937, 4078, 895, 1175,0
2335, 116700, 1805, 417, 3923, 4080, 927, 1140,0
2336, 116750, 1843, 395, 3907, 4082, 959, 1106,0
2337, 116800, 1882, 373, 3891, 4083, 992, 1073,0
2338, 116850, 1920, 351, 3875, 4083, 1025, 1039,0
2339, 116900, 1958, 330, 3857, 4083, 1059, 1006,0
2340, 116950, 1997, 310, 3839, 4081, 1092, 974,0
2341, 117000, 2035, 290, 3820, 4079, 1126, 942,0
2342, 117050, 2073, 271, 3801, 4077, 1161, 910,0
2343, 117100, 2112, 252, 3781, 4073, 1196, 878,0
2344, 117150, 2150, 234, 3761, 4069, 1231, 847,0
2345, 117200, 2189, 217, 3740, 4064, 1266, 817,0
2346, 117250, 2227, 200, 3718, 4059, 1302, 787,0
2347, 117300, 2265, 185, 3696, 4053, 1338, 757,0
2348, 117350, 2303, 169, 3673, 4046, 1374, 728,0

2349, 117400, 2341, 155, 3649, 4038, 1410, 699,0
2350, 117450, 2379, 141, 3625, 4029, 1447, 671,0
2351, 117500, 2417, 128, 3601, 4020, 1484, 643,0
2352, 117550, 2455, 115, 3575, 4010, 1521, 616,0
2353, 117600, 2493, 103, 3550, 4000, 1558, 589,0
2354, 117650, 2530, 92, 3523, 3989, 1595, 563,0
2355, 117700, 2567, 81, 3497, 3977, 1633, 538,0
2356, 117750, 2604, 72, 3469, 3964, 1670, 513,0
2357, 117800, 2641, 63, 3442, 3951, 1708, 488,0
2358, 117850, 2678, 54, 3413, 3937, 1746, 464,0
2359, 117900, 2714, 47, 3385, 3922, 1784, 441,0
2360, 117950, 2750, 40, 3355, 3907, 1822, 418,0
2361, 118000, 2786, 33, 3326, 3891, 1860, 395,0
2362, 118050, 2822, 28, 3295, 3875, 1899, 374,0
2363, 118100, 2857, 23, 3265, 3857, 1937, 353,0
2364, 118150, 2893, 19, 3234, 3839, 1975, 332,0
2365, 118200, 2927, 16, 3202, 3821, 2014, 312,0
2366, 118250, 2962, 13, 3170, 3802, 2052, 293,0
2367, 118300, 2996, 11, 3138, 3782, 2090, 274,0
2368, 118350, 3030, 10, 3106, 3761, 2129, 256,0
2369, 118400, 3063, 9, 3073, 3740, 2167, 239,0
2370, 118450, 3097, 10, 3039, 3719, 2205, 222,0
2371, 118500, 3129, 11, 3005, 3697, 2243, 206,0

2372, 118550, 3162, 12, 2971, 3674, 2281, 191,0
2373, 118600, 3194, 15, 2937, 3650, 2320, 176,0
2374, 118650, 3225, 18, 2902, 3626, 2357, 162,0
2375, 118700, 3256, 22, 2867, 3602, 2395, 149,0
2376, 118750, 3287, 26, 2832, 3577, 2433, 136,0
2377, 118800, 3318, 32, 2796, 3551, 2471, 124,0
2378, 118850, 3347, 38, 2760, 3525, 2508, 113,0
2379, 118900, 3377, 44, 2724, 3498, 2545, 102,0
2380, 118950, 3406, 52, 2688, 3471, 2582, 92,0
2381, 119000, 3434, 60, 2651, 3444, 2619, 83,0
2382, 119050, 3462, 69, 2614, 3415, 2656, 75,0
2383, 119100, 3489, 78, 2577, 3387, 2692, 67,0
2384, 119150, 3516, 89, 2540, 3358, 2728, 60,0
2385, 119200, 3543, 100, 2503, 3328, 2764, 53,0
2386, 119250, 3569, 111, 2465, 3298, 2800, 48,0
2387, 119300, 3594, 124, 2428, 3267, 2835, 43,0
2388, 119350, 3619, 137, 2390, 3236, 2871, 38,0
2389, 119400, 3643, 150, 2352, 3205, 2905, 35,0
2390, 119450, 3667, 165, 2314, 3173, 2940, 32,0
2391, 119500, 3690, 180, 2276, 3141, 2974, 30,0
2392, 119550, 3712, 195, 2237, 3108, 3008, 29,0
2393, 119600, 3734, 212, 2199, 3075, 3042, 28,0
2394, 119650, 3755, 229, 2161, 3042, 3075, 28,0

2395, 119700, 3776, 246, 2122, 3008, 3108, 29,0
2396, 119750, 3796, 265, 2084, 2974, 3140, 30,0
2397, 119800, 3816, 284, 2046, 2940, 3172, 33,0
2398, 119850, 3835, 303, 2007, 2905, 3204, 36,0
2399, 119900, 3853, 323, 1969, 2870, 3235, 39,0
2400, 119950, 3870, 344, 1930, 2835, 3266, 44,0
2401, 120000, 3887, 366, 1892, 2800, 3296, 49,0
2402, 120050, 3904, 388, 1854, 2764, 3326, 55,0
2403, 120100, 3919, 410, 1815, 2728, 3355, 61,0
2404, 120150, 3934, 433, 1777, 2691, 3384, 68,0
2405, 120200, 3948, 457, 1739, 2655, 3413, 76,0
2406, 120250, 3962, 482, 1701, 2618, 3441, 85,0
2407, 120300, 3975, 506, 1663, 2581, 3468, 94,0
2408, 120350, 3987, 532, 1626, 2544, 3495, 104,0
2409, 120400, 3999, 558, 1588, 2506, 3522, 115,0
2410, 120450, 4009, 584, 1551, 2469, 3548, 127,0
2411, 120500, 4020, 611, 1514, 2431, 3573, 139,0
2412, 120550, 4029, 639, 1477, 2393, 3598, 152,0
2413, 120600, 4038, 667, 1440, 2356, 3622, 165,0
2414, 120650, 4046, 695, 1403, 2318, 3646, 179,0
2415, 120700, 4053, 724, 1367, 2279, 3669, 194,0
2416, 120750, 4060, 754, 1331, 2241, 3692, 210,0
2417, 120800, 4066, 784, 1295, 2203, 3714, 226,0

2418, 120850, 4071, 814, 1259, 2165, 3736, 243,0
2419, 120900, 4075, 845, 1224, 2126, 3756, 260,0
2420, 120950, 4079, 876, 1189, 2088, 3777, 278,0
2421, 121000, 4082, 908, 1154, 2049, 3796, 297,0
2422, 121050, 4084, 940, 1120, 2011, 3815, 316,0
2423, 121100, 4086, 972, 1086, 1972, 3833, 336,0
2424, 121150, 4087, 1005, 1052, 1934, 3851, 357,0
2425, 121200, 4087, 1038, 1019, 1896, 3868, 378,0
2426, 121250, 4086, 1072, 986, 1857, 3885, 400,0
2427, 121300, 4085, 1106, 953, 1819, 3900, 422,0
2428, 121350, 4083, 1140, 921, 1781, 3915, 445,0
2429, 121400, 4080, 1175, 889, 1743, 3930, 469,0
2430, 121450, 4077, 1210, 858, 1705, 3944, 493,0
2431, 121500, 4073, 1245, 827, 1667, 3957, 518,0
2432, 121550, 4068, 1280, 796, 1630, 3969, 543,0
2433, 121600, 4062, 1316, 766, 1592, 3981, 569,0
2434, 121650, 4056, 1352, 736, 1555, 3992, 595,0
2435, 121700, 4049, 1388, 707, 1517, 4002, 622,0
2436, 121750, 4041, 1425, 678, 1480, 4012, 649,0
2437, 121800, 4032, 1461, 650, 1443, 4021, 677,0
2438, 121850, 4023, 1498, 623, 1407, 4029, 705,0
2439, 121900, 4013, 1535, 595, 1370, 4036, 734,0
2440, 121950, 4003, 1573, 569, 1334, 4043, 763,0

2441, 122000, 3991, 1610, 542, 1298, 4049, 793,0
2442, 122050, 3979, 1648, 517, 1263, 4055, 823,0
2443, 122100, 3967, 1686, 492, 1227, 4059, 854,0
2444, 122150, 3953, 1723, 467, 1192, 4063, 885,0
2445, 122200, 3939, 1761, 443, 1158, 4066, 917,0
2446, 122250, 3925, 1800, 420, 1123, 4069, 948,0
2447, 122300, 3909, 1838, 397, 1089, 4071, 981,0
2448, 122350, 3893, 1876, 374, 1055, 4072, 1013,0
2449, 122400, 3877, 1914, 353, 1022, 4072, 1046,0
2450, 122450, 3859, 1953, 332, 989, 4072, 1080,0
2451, 122500, 3841, 1991, 311, 956, 4070, 1114,0
2452, 122550, 3823, 2030, 291, 924, 4069, 1148,0
2453, 122600, 3803, 2068, 272, 892, 4066, 1182,0
2454, 122650, 3784, 2106, 254, 860, 4063, 1217,0
2455, 122700, 3763, 2145, 236, 829, 4059, 1252,0
2456, 122750, 3742, 2183, 218, 799, 4054, 1287,0
2457, 122800, 3720, 2222, 202, 768, 4048, 1323,0
2458, 122850, 3698, 2260, 186, 739, 4042, 1359,0
2459, 122900, 3675, 2298, 170, 709, 4035, 1395,0
2460, 122950, 3652, 2336, 156, 681, 4028, 1431,0
2461, 123000, 3628, 2374, 142, 652, 4020, 1468,0
2462, 123050, 3603, 2412, 128, 624, 4011, 1504,0
2463, 123100, 3578, 2450, 116, 597, 4001, 1541,0

2464, 123150, 3552, 2487, 104, 570, 3990, 1579,0
2465, 123200, 3526, 2525, 92, 544, 3979, 1616,0
2466, 123250, 3499, 2562, 82, 518, 3968, 1653,0
2467, 123300, 3472, 2599, 72, 493, 3955, 1691,0
2468, 123350, 3444, 2636, 63, 468, 3942, 1729,0
2469, 123400, 3416, 2673, 54, 444, 3928, 1767,0
2470, 123450, 3387, 2709, 47, 421, 3914, 1805,0
2471, 123500, 3358, 2746, 40, 398, 3898, 1843,0
2472, 123550, 3328, 2782, 33, 375, 3883, 1881,0
2473, 123600, 3298, 2817, 28, 354, 3866, 1919,0
2474, 123650, 3268, 2853, 23, 332, 3849, 1957,0
2475, 123700, 3237, 2888, 19, 312, 3831, 1996,0
2476, 123750, 3205, 2923, 15, 292, 3813, 2034,0
2477, 123800, 3173, 2957, 12, 273, 3794, 2072,0
2478, 123850, 3141, 2992, 10, 254, 3774, 2111,0
2479, 123900, 3108, 3026, 9, 236, 3754, 2149,0
2480, 123950, 3075, 3059, 8, 218, 3733, 2187,0
2481, 124000, 3042, 3092, 9, 202, 3711, 2226,0
2482, 124050, 3008, 3125, 9, 186, 3689, 2264,0
2483, 124100, 2974, 3158, 11, 170, 3667, 2302,0
2484, 124150, 2940, 3190, 13, 155, 3643, 2340,0
2485, 124200, 2905, 3221, 16, 141, 3619, 2378,0
2486, 124250, 2870, 3253, 20, 128, 3595, 2416,0

2487, 124300, 2835, 3283, 25, 115, 3570, 2453,0
2488, 124350, 2799, 3314, 30, 103, 3545, 2491,0
2489, 124400, 2763, 3344, 36, 91, 3519, 2528,0
2490, 124450, 2727, 3373, 43, 81, 3492, 2565,0
2491, 124500, 2691, 3402, 50, 71, 3465, 2603,0
2492, 124550, 2654, 3431, 58, 62, 3437, 2639,0
2493, 124600, 2617, 3459, 67, 53, 3409, 2676,0
2494, 124650, 2580, 3486, 76, 45, 3381, 2713,0
2495, 124700, 2543, 3513, 86, 38, 3352, 2749,0
2496, 124750, 2506, 3540, 97, 31, 3322, 2785,0
2497, 124800, 2468, 3566, 109, 26, 3292, 2820,0
2498, 124850, 2430, 3591, 121, 21, 3262, 2856,0
2499, 124900, 2393, 3616, 134, 16, 3231, 2891,0
2500, 124950, 2355, 3640, 148, 13, 3200, 2926,0
2501, 125000, 2316, 3664, 162, 10, 3168, 2960,0
2502, 125050, 2278, 3687, 177, 8, 3136, 2995,0
2503, 125100, 2240, 3710, 193, 6, 3103, 3029,0
2504, 125150, 2202, 3732, 209, 6, 3070, 3062,0
2505, 125200, 2163, 3753, 226, 6, 3037, 3095,0
2506, 125250, 2125, 3774, 243, 6, 3004, 3128,0
2507, 125300, 2087, 3794, 262, 8, 2970, 3161,0
2508, 125350, 2048, 3814, 281, 10, 2935, 3193,0
2509, 125400, 2010, 3833, 300, 13, 2901, 3224,0

2510, 125450, 1971, 3851, 320, 17, 2866, 3256,0
2511, 125500, 1933, 3869, 341, 21, 2831, 3286,0
2512, 125550, 1894, 3886, 362, 26, 2795, 3317,0
2513, 125600, 1856, 3902, 384, 32, 2760, 3347,0
2514, 125650, 1818, 3918, 407, 38, 2724, 3376,0
2515, 125700, 1780, 3933, 430, 46, 2687, 3405,0
2516, 125750, 1742, 3947, 454, 54, 2651, 3434,0
2517, 125800, 1704, 3961, 478, 62, 2614, 3462,0
2518, 125850, 1666, 3974, 503, 72, 2577, 3490,0
2519, 125900, 1628, 3986, 528, 82, 2540, 3517,0
2520, 125950, 1591, 3998, 554, 92, 2503, 3543,0
2521, 126000, 1553, 4009, 580, 104, 2465, 3569,0
2522, 126050, 1516, 4019, 607, 116, 2428, 3595,0
2523, 126100, 1479, 4029, 635, 129, 2390, 3620,0
2524, 126150, 1442, 4038, 663, 142, 2352, 3644,0
2525, 126200, 1406, 4046, 691, 157, 2314, 3668,0
2526, 126250, 1369, 4053, 720, 171, 2276, 3691,0
2527, 126300, 1333, 4060, 750, 187, 2238, 3714,0
2528, 126350, 1297, 4066, 780, 203, 2200, 3736,0
2529, 126400, 1262, 4071, 810, 220, 2162, 3757,0
2530, 126450, 1226, 4076, 841, 238, 2123, 3778,0
2531, 126500, 1191, 4080, 872, 256, 2085, 3798,0
2532, 126550, 1156, 4083, 903, 274, 2047, 3818,0

2533, 126600, 1122, 4085, 935, 294, 2008, 3837,0
2534, 126650, 1088, 4087, 968, 314, 1970, 3855,0
2535, 126700, 1054, 4088, 1001, 334, 1931, 3873,0
2536, 126750, 1021, 4088, 1034, 356, 1893, 3890,0
2537, 126800, 988, 4088, 1067, 378, 1855, 3907,0
2538, 126850, 955, 4086, 1101, 400, 1817, 3923,0
2539, 126900, 923, 4084, 1136, 423, 1779, 3938,0
2540, 126950, 891, 4082, 1170, 447, 1741, 3952,0
2541, 127000, 859, 4078, 1205, 471, 1703, 3966,0
2542, 127050, 828, 4074, 1240, 495, 1665, 3979,0
2543, 127100, 798, 4069, 1276, 521, 1627, 3992,0
2544, 127150, 768, 4064, 1311, 547, 1590, 4003,0
2545, 127200, 738, 4058, 1347, 573, 1552, 4015,0
2546, 127250, 709, 4051, 1383, 600, 1515, 4025,0
2547, 127300, 680, 4043, 1420, 627, 1478, 4035,0
2548, 127350, 652, 4034, 1457, 655, 1441, 4044,0
2549, 127400, 624, 4025, 1494, 683, 1405, 4052,0
2550, 127450, 596, 4016, 1531, 712, 1368, 4059,0
2551, 127500, 570, 4005, 1568, 742, 1332, 4066,0
2552, 127550, 543, 3994, 1605, 771, 1296, 4072,0
2553, 127600, 518, 3982, 1643, 802, 1261, 4078,0
2554, 127650, 493, 3969, 1681, 832, 1225, 4083,0
2555, 127700, 468, 3956, 1719, 863, 1190, 4087,0

2556, 127750, 444, 3942, 1757, 895, 1156, 4090,0
2557, 127800, 420, 3928, 1795, 927, 1121, 4092,0
2558, 127850, 397, 3912, 1833, 959, 1087, 4094,0
2559, 127900, 375, 3896, 1871, 992, 1053, 4095,0
2560, 127950, 353, 3880, 1910, 1025, 1020, 4096,0
2561, 128000, 332, 3863, 1948, 1059, 987, 4096,0
2562, 128050, 312, 3845, 1986, 1092, 954, 4094,0
2563, 128100, 292, 3826, 2025, 1127, 922, 4093,0
2564, 128150, 273, 3807, 2063, 1161, 890, 4090,0
2565, 128200, 254, 3787, 2102, 1196, 858, 4087,0
2566, 128250, 236, 3767, 2140, 1231, 827, 4083,0
2567, 128300, 219, 3746, 2179, 1266, 797, 4078,0
2568, 128350, 202, 3724, 2217, 1302, 766, 4073,0
2569, 128400, 186, 3702, 2255, 1338, 737, 4067,0
2570, 128450, 170, 3679, 2293, 1374, 707, 4060,0
2571, 128500, 156, 3656, 2332, 1411, 678, 4053,0
2572, 128550, 142, 3632, 2370, 1447, 650, 4044,0
2573, 128600, 128, 3607, 2408, 1484, 622, 4035,0
2574, 128650, 116, 3582, 2445, 1521, 595, 4026,0
2575, 128700, 104, 3556, 2483, 1559, 568, 4016,0
2576, 128750, 92, 3530, 2521, 1596, 542, 4004,0
2577, 128800, 82, 3504, 2558, 1634, 516, 3993,0
2578, 128850, 72, 3476, 2595, 1671, 491, 3980,0

2579, 128900, 63, 3449, 2632, 1709, 466, 3967,0
2580, 128950, 54, 3421, 2669, 1747, 442, 3954,0
2581, 129000, 46, 3392, 2705, 1785, 418, 3939,0
2582, 129050, 39, 3363, 2742, 1823, 395, 3924,0
2583, 129100, 33, 3333, 2778, 1862, 373, 3908,0
2584, 129150, 27, 3303, 2813, 1900, 351, 3892,0
2585, 129200, 22, 3272, 2849, 1938, 330, 3875,0
2586, 129250, 18, 3241, 2884, 1977, 309, 3857,0
2587, 129300, 14, 3210, 2919, 2015, 289, 3839,0
2588, 129350, 12, 3178, 2954, 2054, 270, 3820,0
2589, 129400, 10, 3146, 2988, 2092, 251, 3800,0
2590, 129450, 8, 3113, 3022, 2131, 233, 3780,0
2591, 129500, 8, 3080, 3056, 2169, 215, 3759,0
2592, 129550, 8, 3047, 3089, 2207, 199, 3738,0
2593, 129600, 8, 3013, 3122, 2246, 182, 3716,0
2594, 129650, 10, 2979, 3154, 2284, 167, 3693,0
2595, 129700, 12, 2945, 3186, 2322, 152, 3670,0
2596, 129750, 15, 2910, 3218, 2360, 138, 3646,0
2597, 129800, 19, 2875, 3249, 2398, 124, 3622,0
2598, 129850, 24, 2840, 3280, 2436, 111, 3597,0
2599, 129900, 29, 2804, 3311, 2474, 99, 3571,0
2600, 129950, 35, 2768, 3341, 2511, 88, 3545,0
2601, 130000, 41, 2732, 3370, 2549, 77, 3519,0

2602, 130050, 48, 2696, 3399, 2586, 67, 3492,0
2603, 130100, 57, 2659, 3428, 2623, 58, 3464,0
2604, 130150, 65, 2623, 3456, 2659, 49, 3436,0
2605, 130200, 75, 2586, 3484, 2696, 41, 3408,0
2606, 130250, 85, 2548, 3511, 2732, 34, 3379,0
2607, 130300, 96, 2511, 3537, 2768, 27, 3349,0
2608, 130350, 107, 2473, 3563, 2804, 21, 3319,0
2609, 130400, 119, 2436, 3589, 2840, 16, 3289,0
2610, 130450, 132, 2398, 3614, 2875, 12, 3258,0
2611, 130500, 146, 2360, 3638, 2910, 8, 3227,0
2612, 130550, 160, 2322, 3662, 2945, 5, 3195,0
2613, 130600, 175, 2284, 3685, 2979, 3, 3163,0
2614, 130650, 191, 2246, 3708, 3013, 1, 3131,0
2615, 130700, 207, 2207, 3730, 3047, 1, 3098,0
2616, 130750, 224, 2169, 3751, 3080, 1, 3065,0
2617, 130800, 241, 2130, 3772, 3113, 1, 3031,0
2618, 130850, 260, 2092, 3793, 3146, 3, 2997,0
2619, 130900, 278, 2053, 3812, 3178, 5, 2963,0
2620, 130950, 298, 2015, 3831, 3210, 7, 2928,0
2621, 131000, 318, 1977, 3850, 3241, 11, 2894,0
2622, 131050, 339, 1938, 3867, 3272, 15, 2858,0
2623, 131100, 360, 1900, 3885, 3303, 20, 2823,0
2624, 131150, 382, 1861, 3901, 3333, 26, 2787,0

2625, 131200, 404, 1823, 3917, 3362, 32, 2751,0
2626, 131250, 428, 1785, 3932, 3392, 40, 2715,0
2627, 131300, 451, 1747, 3946, 3420, 47, 2679,0
2628, 131350, 475, 1709, 3960, 3448, 56, 2642,0
2629, 131400, 500, 1671, 3973, 3476, 65, 2605,0
2630, 131450, 526, 1633, 3986, 3503, 75, 2568,0
2631, 131500, 551, 1596, 3997, 3530, 86, 2531,0
2632, 131550, 578, 1558, 4008, 3556, 97, 2493,0
2633, 131600, 605, 1521, 4019, 3582, 109, 2456,0
2634, 131650, 632, 1484, 4028, 3607, 122, 2418,0
2635, 131700, 660, 1447, 4037, 3631, 135, 2380,0
2636, 131750, 689, 1410, 4046, 3655, 149, 2342,0
2637, 131800, 718, 1374, 4053, 3678, 164, 2304,0
2638, 131850, 747, 1338, 4060, 3701, 180, 2266,0
2639, 131900, 777, 1302, 4066, 3723, 196, 2228,0
2640, 131950, 807, 1266, 4071, 3745, 212, 2190,0
2641, 132000, 838, 1231, 4076, 3766, 230, 2151,0
2642, 132050, 869, 1196, 4080, 3786, 248, 2113,0
2643, 132100, 901, 1161, 4083, 3806, 266, 2075,0
2644, 132150, 933, 1126, 4086, 3825, 286, 2036,0
2645, 132200, 965, 1092, 4088, 3844, 306, 1998,0
2646, 132250, 998, 1058, 4089, 3862, 326, 1959,0
2647, 132300, 1031, 1025, 4089, 3879, 347, 1921,0

2648, 132350, 1065, 992, 4089, 3895, 369, 1883,0
2649, 132400, 1099, 959, 4087, 3911, 391, 1845,0
2650, 132450, 1133, 927, 4086, 3927, 414, 1807,0
2651, 132500, 1167, 895, 4083, 3941, 438, 1769,0
2652, 132550, 1202, 863, 4080, 3955, 462, 1731,0
2653, 132600, 1237, 832, 4076, 3968, 486, 1693,0
2654, 132650, 1273, 801, 4071, 3981, 511, 1655,0
2655, 132700, 1308, 771, 4065, 3993, 537, 1618,0
2656, 132750, 1344, 741, 4059, 4004, 563, 1580,0
2657, 132800, 1381, 712, 4052, 4014, 590, 1543,0
2658, 132850, 1417, 683, 4045, 4024, 617, 1506,0
2659, 132900, 1454, 655, 4036, 4033, 645, 1469,0
2660, 132950, 1491, 627, 4027, 4042, 673, 1432,0
2661, 133000, 1528, 600, 4018, 4049, 702, 1396,0
2662, 133050, 1565, 573, 4007, 4056, 731, 1360,0
2663, 133100, 1603, 546, 3996, 4062, 761, 1324,0
2664, 133150, 1640, 521, 3984, 4068, 791, 1288,0
2665, 133200, 1678, 495, 3972, 4073, 822, 1253,0
2666, 133250, 1716, 471, 3959, 4077, 853, 1218,0
2667, 133300, 1754, 447, 3945, 4080, 884, 1183,0
2668, 133350, 1792, 423, 3930, 4083, 916, 1149,0
2669, 133400, 1830, 400, 3915, 4085, 949, 1114,0
2670, 133450, 1869, 378, 3899, 4086, 981, 1081,0

2671, 133500, 1907, 356, 3883, 4086, 1014, 1047,0
2672, 133550, 1945, 335, 3865, 4086, 1048, 1014,0
2673, 133600, 1984, 314, 3848, 4085, 1081, 981,0
2674, 133650, 2022, 294, 3829, 4083, 1115, 949,0
2675, 133700, 2061, 275, 3810, 4081, 1150, 917,0
2676, 133750, 2099, 256, 3790, 4078, 1185, 885,0
2677, 133800, 2138, 238, 3770, 4074, 1220, 854,0
2678, 133850, 2176, 220, 3749, 4069, 1255, 823,0
2679, 133900, 2214, 203, 3728, 4064, 1290, 793,0
2680, 133950, 2253, 187, 3705, 4058, 1326, 763,0
2681, 134000, 2291, 172, 3683, 4051, 1362, 734,0
2682, 134050, 2329, 157, 3659, 4044, 1399, 705,0
2683, 134100, 2367, 143, 3635, 4035, 1435, 677,0
2684, 134150, 2405, 129, 3611, 4026, 1472, 649,0
2685, 134200, 2443, 117, 3586, 4017, 1509, 621,0
2686, 134250, 2481, 104, 3560, 4007, 1546, 594,0
2687, 134300, 2518, 93, 3534, 3996, 1584, 568,0
2688, 134350, 2555, 82, 3508, 3984, 1621, 542,0
2689, 134400, 2593, 72, 3480, 3971, 1659, 517,0
2690, 134450, 2630, 63, 3453, 3958, 1697, 492,0
2691, 134500, 2666, 54, 3425, 3945, 1735, 468,0
2692, 134550, 2703, 46, 3396, 3930, 1773, 444,0
2693, 134600, 2739, 39, 3367, 3915, 1811, 421,0

2694, 134650, 2775, 33, 3337, 3899, 1849, 399,0
2695, 134700, 2811, 27, 3307, 3883, 1887, 377,0
2696, 134750, 2847, 22, 3277, 3866, 1926, 355,0
2697, 134800, 2882, 18, 3246, 3848, 1964, 335,0
2698, 134850, 2917, 14, 3214, 3830, 2002, 315,0
2699, 134900, 2952, 11, 3183, 3811, 2041, 295,0
2700, 134950, 2986, 9, 3151, 3791, 2079, 276,0
2701, 135000, 3020, 7, 3118, 3771, 2118, 258,0
2702, 135050, 3054, 7, 3085, 3750, 2156, 240,0
2703, 135100, 3087, 7, 3052, 3729, 2194, 223,0
2704, 135150, 3120, 7, 3018, 3707, 2233, 207,0
2705, 135200, 3152, 9, 2984, 3684, 2271, 192,0
2706, 135250, 3185, 11, 2950, 3661, 2309, 177,0
2707, 135300, 3216, 14, 2915, 3637, 2347, 162,0
2708, 135350, 3248, 18, 2880, 3613, 2385, 149,0
2709, 135400, 3279, 22, 2845, 3588, 2423, 136,0
2710, 135450, 3309, 27, 2809, 3562, 2460, 124,0
2711, 135500, 3339, 33, 2773, 3536, 2498, 112,0
2712, 135550, 3369, 39, 2737, 3510, 2535, 101,0
2713, 135600, 3398, 47, 2701, 3483, 2572, 91,0
2714, 135650, 3426, 55, 2664, 3455, 2609, 81,0
2715, 135700, 3455, 63, 2627, 3427, 2646, 73,0
2716, 135750, 3482, 72, 2590, 3399, 2682, 65,0

2717, 135800, 3509, 83, 2553, 3369, 2719, 57,0
2718, 135850, 3536, 93, 2516, 3340, 2755, 51,0
2719, 135900, 3562, 105, 2478, 3310, 2791, 45,0
2720, 135950, 3588, 117, 2441, 3280, 2826, 40,0
2721, 136000, 3613, 130, 2403, 3249, 2862, 35,0
2722, 136050, 3637, 143, 2365, 3217, 2897, 31,0
2723, 136100, 3661, 157, 2327, 3186, 2931, 28,0
2724, 136150, 3684, 172, 2289, 3154, 2966, 26,0
2725, 136200, 3707, 188, 2250, 3121, 3000, 24,0
2726, 136250, 3729, 204, 2212, 3088, 3033, 23,0
2727, 136300, 3751, 221, 2174, 3055, 3067, 23,0
2728, 136350, 3772, 238, 2135, 3021, 3100, 24,0
2729, 136400, 3792, 256, 2097, 2987, 3132, 25,0
2730, 136450, 3812, 275, 2058, 2953, 3164, 27,0
2731, 136500, 3831, 294, 2020, 2919, 3196, 30,0
2732, 136550, 3849, 314, 1981, 2884, 3228, 33,0
2733, 136600, 3867, 335, 1943, 2848, 3259, 37,0
2734, 136650, 3884, 356, 1905, 2813, 3289, 42,0
2735, 136700, 3901, 378, 1866, 2777, 3319, 48,0
2736, 136750, 3916, 401, 1828, 2741, 3349, 54,0
2737, 136800, 3932, 424, 1790, 2705, 3378, 61,0
2738, 136850, 3946, 447, 1752, 2668, 3407, 69,0
2739, 136900, 3960, 471, 1714, 2631, 3435, 77,0

2740, 136950, 3973, 496, 1676, 2594, 3463, 87,0
2741, 137000, 3986, 521, 1638, 2557, 3490, 96,0
2742, 137050, 3997, 547, 1600, 2520, 3517, 107,0
2743, 137100, 4008, 574, 1563, 2482, 3543, 118,0
2744, 137150, 4019, 600, 1525, 2445, 3568, 130,0
2745, 137200, 4029, 628, 1488, 2407, 3594, 143,0
2746, 137250, 4038, 656, 1451, 2369, 3618, 156,0
2747, 137300, 4046, 684, 1415, 2331, 3642, 170,0
2748, 137350, 4053, 713, 1378, 2293, 3665, 185,0
2749, 137400, 4060, 742, 1342, 2255, 3688, 200,0
2750, 137450, 4066, 772, 1306, 2216, 3711, 216,0
2751, 137500, 4072, 802, 1270, 2178, 3732, 233,0
2752, 137550, 4077, 833, 1235, 2140, 3753, 250,0
2753, 137600, 4081, 864, 1200, 2101, 3774, 268,0
2754, 137650, 4084, 896, 1165, 2063, 3794, 286,0
2755, 137700, 4086, 928, 1130, 2024, 3813, 306,0
2756, 137750, 4088, 960, 1096, 1986, 3831, 325,0
2757, 137800, 4089, 993, 1062, 1947, 3849, 346,0
2758, 137850, 4090, 1026, 1029, 1909, 3867, 367,0
2759, 137900, 4089, 1059, 996, 1870, 3883, 388,0
2760, 137950, 4088, 1093, 963, 1832, 3899, 411,0
2761, 138000, 4086, 1128, 930, 1794, 3914, 434,0
2762, 138050, 4084, 1162, 898, 1756, 3929, 457,0

2763, 138100, 4081, 1197, 867, 1718, 3943, 481,0
2764, 138150, 4077, 1232, 836, 1680, 3956, 505,0
2765, 138200, 4072, 1267, 805, 1642, 3969, 531,0
2766, 138250, 4067, 1303, 774, 1604, 3981, 556,0
2767, 138300, 4060, 1339, 745, 1567, 3992, 582,0
2768, 138350, 4054, 1375, 715, 1530, 4003, 609,0
2769, 138400, 4046, 1412, 686, 1492, 4013, 636,0
2770, 138450, 4038, 1448, 658, 1455, 4022, 664,0
2771, 138500, 4029, 1485, 630, 1419, 4030, 692,0
2772, 138550, 4019, 1522, 602, 1382, 4038, 721,0
2773, 138600, 4009, 1560, 576, 1346, 4045, 750,0
2774, 138650, 3998, 1597, 549, 1310, 4051, 780,0
2775, 138700, 3986, 1635, 523, 1274, 4057, 810,0
2776, 138750, 3973, 1672, 498, 1239, 4062, 840,0
2777, 138800, 3960, 1710, 473, 1203, 4066, 871,0
2778, 138850, 3946, 1748, 449, 1169, 4070, 902,0
2779, 138900, 3932, 1787, 425, 1134, 4072, 934,0
2780, 138950, 3917, 1825, 402, 1100, 4074, 966,0
2781, 139000, 3901, 1863, 380, 1066, 4076, 999,0
2782, 139050, 3884, 1901, 358, 1032, 4076, 1032,0
2783, 139100, 3867, 1940, 337, 999, 4076, 1065,0
2784, 139150, 3850, 1978, 316, 966, 4075, 1099,0
2785, 139200, 3831, 2017, 296, 934, 4073, 1133,0

2786, 139250, 3812, 2055, 276, 902, 4071, 1167,0
2787, 139300, 3792, 2094, 258, 870, 4068, 1202,0
2788, 139350, 3772, 2132, 239, 839, 4064, 1237,0
2789, 139400, 3751, 2171, 222, 808, 4060, 1272,0
2790, 139450, 3730, 2209, 205, 777, 4055, 1308,0
2791, 139500, 3707, 2247, 189, 747, 4049, 1344,0
2792, 139550, 3685, 2286, 173, 718, 4042, 1380,0
2793, 139600, 3661, 2324, 158, 689, 4035, 1416,0
2794, 139650, 3638, 2362, 144, 660, 4027, 1453,0
2795, 139700, 3613, 2400, 130, 632, 4018, 1489,0
2796, 139750, 3588, 2438, 117, 605, 4008, 1526,0
2797, 139800, 3563, 2475, 105, 578, 3998, 1563,0
2798, 139850, 3537, 2513, 94, 551, 3987, 1601,0
2799, 139900, 3510, 2550, 83, 525, 3976, 1638,0
2800, 139950, 3483, 2588, 73, 500, 3963, 1676,0
2801, 140000, 3455, 2625, 63, 475, 3950, 1714,0
2802, 140050, 3427, 2661, 55, 451, 3937, 1751,0
2803, 140100, 3398, 2698, 47, 427, 3922, 1789,0
2804, 140150, 3369, 2734, 39, 404, 3908, 1828,0
2805, 140200, 3340, 2771, 33, 381, 3892, 1866,0
2806, 140250, 3310, 2806, 27, 359, 3876, 1904,0
2807, 140300, 3279, 2842, 22, 338, 3859, 1942,0
2808, 140350, 3248, 2877, 17, 317, 3841, 1981,0

2809, 140400, 3217, 2912, 14, 297, 3823, 2019,0
2810, 140450, 3185, 2947, 11, 277, 3804, 2057,0
2811, 140500, 3153, 2981, 8, 258, 3784, 2096,0
2812, 140550, 3121, 3016, 7, 240, 3764, 2134,0
2813, 140600, 3088, 3049, 6, 222, 3744, 2172,0
2814, 140650, 3054, 3083, 6, 205, 3722, 2211,0
2815, 140700, 3021, 3116, 7, 189, 3700, 2249,0
2816, 140750, 2987, 3148, 8, 173, 3678, 2287,0
2817, 140800, 2952, 3180, 10, 158, 3655, 2325,0
2818, 140850, 2918, 3212, 13, 144, 3631, 2363,0
2819, 140900, 2883, 3244, 17, 130, 3607, 2401,0
2820, 140950, 2847, 3275, 21, 117, 3582, 2439,0
2821, 141000, 2812, 3305, 26, 105, 3557, 2477,0
2822, 141050, 2776, 3335, 31, 93, 3531, 2514,0
2823, 141100, 2740, 3365, 38, 82, 3504, 2552,0
2824, 141150, 2704, 3394, 45, 72, 3477, 2589,0
2825, 141200, 2667, 3423, 53, 63, 3450, 2626,0
2826, 141250, 2630, 3451, 61, 54, 3422, 2662,0
2827, 141300, 2593, 3479, 71, 46, 3394, 2699,0
2828, 141350, 2556, 3506, 81, 38, 3365, 2735,0
2829, 141400, 2519, 3533, 91, 31, 3335, 2771,0
2830, 141450, 2481, 3559, 103, 26, 3305, 2807,0
2831, 141500, 2443, 3585, 115, 20, 3275, 2843,0

2832, 141550, 2406, 3610, 127, 16, 3244, 2878,0
2833, 141600, 2368, 3634, 141, 12, 3213, 2913,0
2834, 141650, 2330, 3658, 155, 9, 3182, 2948,0
2835, 141700, 2291, 3682, 170, 6, 3150, 2982,0
2836, 141750, 2253, 3704, 185, 5, 3117, 3016,0
2837, 141800, 2215, 3727, 201, 4, 3084, 3050,0
2838, 141850, 2176, 3748, 218, 4, 3051, 3083,0
2839, 141900, 2138, 3769, 235, 4, 3018, 3116,0
2840, 141950, 2099, 3790, 253, 5, 2984, 3149,0
2841, 142000, 2061, 3809, 272, 7, 2950, 3181,0
2842, 142050, 2022, 3829, 291, 10, 2915, 3213,0
2843, 142100, 1984, 3847, 311, 13, 2880, 3245,0
2844, 142150, 1946, 3865, 332, 18, 2845, 3276,0
2845, 142200, 1907, 3882, 353, 22, 2810, 3306,0
2846, 142250, 1869, 3899, 375, 28, 2774, 3336,0
2847, 142300, 1830, 3915, 397, 34, 2738, 3366,0
2848, 142350, 1792, 3930, 420, 41, 2702, 3395,0
2849, 142400, 1754, 3945, 444, 49, 2666, 3424,0
2850, 142450, 1716, 3959, 468, 57, 2629, 3452,0
2851, 142500, 1678, 3972, 493, 67, 2592, 3480,0
2852, 142550, 1640, 3984, 518, 76, 2555, 3507,0
2853, 142600, 1603, 3996, 544, 87, 2518, 3534,0
2854, 142650, 1565, 4008, 570, 98, 2480, 3560,0

2855, 142700, 1528, 4018, 597, 110, 2443, 3586,0
2856, 142750, 1491, 4028, 624, 123, 2405, 3611,0
2857, 142800, 1454, 4037, 652, 136, 2367, 3636,0
2858, 142850, 1417, 4045, 680, 150, 2329, 3660,0
2859, 142900, 1381, 4053, 709, 165, 2291, 3683,0
2860, 142950, 1344, 4060, 738, 180, 2253, 3706,0
2861, 143000, 1308, 4066, 768, 196, 2215, 3728,0
2862, 143050, 1272, 4072, 798, 213, 2176, 3750,0
2863, 143100, 1237, 4077, 829, 230, 2138, 3771,0
2864, 143150, 1202, 4081, 860, 248, 2100, 3792,0
2865, 143200, 1167, 4084, 892, 266, 2061, 3811,0
2866, 143250, 1132, 4087, 923, 286, 2023, 3831,0
2867, 143300, 1098, 4089, 956, 305, 1984, 3849,0
2868, 143350, 1064, 4090, 989, 326, 1946, 3867,0
2869, 143400, 1031, 4090, 1022, 347, 1908, 3885,0
2870, 143450, 997, 4090, 1055, 369, 1869, 3901,0
2871, 143500, 965, 4089, 1089, 391, 1831, 3917,0
2872, 143550, 932, 4087, 1123, 414, 1793, 3933,0
2873, 143600, 900, 4085, 1158, 437, 1755, 3948,0
2874, 143650, 868, 4082, 1192, 461, 1717, 3962,0
2875, 143700, 837, 4078, 1227, 486, 1679, 3975,0
2876, 143750, 806, 4073, 1263, 511, 1641, 3988,0
2877, 143800, 776, 4068, 1298, 536, 1603, 4000,0

2878, 143850, 746, 4062, 1334, 563, 1566, 4011,0
2879, 143900, 717, 4055, 1371, 589, 1529, 4022,0
2880, 143950, 688, 4048, 1407, 617, 1492, 4032,0
2881, 144000, 659, 4040, 1444, 644, 1455, 4041,0
2882, 144050, 631, 4031, 1481, 673, 1418, 4049,0
2883, 144100, 604, 4021, 1518, 701, 1382, 4057,0
2884, 144150, 577, 4011, 1555, 731, 1345, 4064,0
2885, 144200, 550, 4000, 1592, 760, 1309, 4071,0
2886, 144250, 525, 3988, 1630, 790, 1274, 4076,0
2887, 144300, 499, 3976, 1668, 821, 1238, 4081,0
2888, 144350, 474, 3963, 1706, 852, 1203, 4086,0
2889, 144400, 450, 3949, 1744, 883, 1168, 4089,0
2890, 144450, 426, 3935, 1782, 915, 1133, 4092,0
2891, 144500, 403, 3920, 1820, 948, 1099, 4094,0
2892, 144550, 381, 3904, 1858, 980, 1065, 4095,0
2893, 144600, 359, 3887, 1897, 1013, 1032, 4096,0
2894, 144650, 337, 3870, 1935, 1047, 998, 4096,0
2895, 144700, 317, 3853, 1974, 1080, 966, 4095,0
2896, 144750, 297, 3834, 2012, 1114, 933, 4094,0
2897, 144800, 277, 3815, 2051, 1149, 901, 4091,0
2898, 144850, 258, 3796, 2089, 1184, 869, 4088,0
2899, 144900, 240, 3775, 2127, 1219, 838, 4085,0
2900, 144950, 222, 3755, 2166, 1254, 807, 4080,0

2901, 145000, 205, 3733, 2204, 1290, 777, 4075,0
2902, 145050, 189, 3711, 2243, 1326, 747, 4069,0
2903, 145100, 174, 3688, 2281, 1362, 717, 4063,0
2904, 145150, 159, 3665, 2319, 1398, 688, 4055,0
2905, 145200, 144, 3641, 2357, 1435, 660, 4047,0
2906, 145250, 131, 3617, 2395, 1472, 632, 4039,0
2907, 145300, 118, 3592, 2433, 1509, 604, 4029,0
2908, 145350, 105, 3567, 2471, 1546, 577, 4019,0
2909, 145400, 94, 3541, 2509, 1583, 551, 4008,0
2910, 145450, 83, 3514, 2546, 1621, 525, 3997,0
2911, 145500, 73, 3487, 2583, 1659, 499, 3985,0
2912, 145550, 63, 3460, 2620, 1696, 474, 3972,0
2913, 145600, 55, 3431, 2657, 1734, 450, 3958,0
2914, 145650, 47, 3403, 2694, 1773, 426, 3944,0
2915, 145700, 39, 3374, 2730, 1811, 403, 3929,0
2916, 145750, 33, 3344, 2766, 1849, 380, 3914,0
2917, 145800, 27, 3314, 2802, 1887, 358, 3897,0
2918, 145850, 22, 3284, 2838, 1926, 337, 3880,0
2919, 145900, 17, 3253, 2873, 1964, 316, 3863,0
2920, 145950, 13, 3222, 2908, 2003, 296, 3845,0
2921, 146000, 10, 3190, 2943, 2041, 276, 3826,0
2922, 146050, 8, 3158, 2978, 2080, 257, 3807,0
2923, 146100, 6, 3125, 3012, 2118, 239, 3787,0

2924, 146150, 5, 3093, 3045, 2157, 221, 3766,0
2925, 146200, 5, 3059, 3079, 2195, 204, 3745,0
2926, 146250, 6, 3026, 3112, 2233, 187, 3723,0
2927, 146300, 7, 2992, 3145, 2272, 172, 3700,0
2928, 146350, 9, 2957, 3177, 2310, 157, 3677,0
2929, 146400, 12, 2923, 3209, 2348, 142, 3654,0
2930, 146450, 16, 2888, 3240, 2386, 128, 3630,0
2931, 146500, 20, 2853, 3271, 2424, 115, 3605,0
2932, 146550, 25, 2817, 3302, 2462, 103, 3580,0
2933, 146600, 30, 2781, 3332, 2499, 91, 3554,0
2934, 146650, 37, 2745, 3362, 2537, 80, 3527,0
2935, 146700, 44, 2709, 3391, 2574, 70, 3500,0
2936, 146750, 52, 2672, 3420, 2611, 60, 3473,0
2937, 146800, 60, 2635, 3448, 2648, 51, 3445,0
2938, 146850, 69, 2599, 3476, 2685, 43, 3417,0
2939, 146900, 79, 2561, 3503, 2721, 36, 3388,0
2940, 146950, 90, 2524, 3530, 2757, 29, 3359,0
2941, 147000, 101, 2486, 3556, 2793, 23, 3329,0
2942, 147050, 113, 2449, 3582, 2829, 17, 3298,0
2943, 147100, 126, 2411, 3607, 2865, 13, 3268,0
2944, 147150, 139, 2373, 3632, 2900, 9, 3237,0
2945, 147200, 153, 2335, 3656, 2935, 6, 3205,0
2946, 147250, 168, 2297, 3679, 2969, 3, 3173,0

2947, 147300, 184, 2258, 3702, 3003, 1, 3141,0
2948, 147350, 200, 2220, 3724, 3037, 0, 3108,0
2949, 147400, 216, 2182, 3746, 3071, 0, 3075,0
2950, 147450, 234, 2143, 3767, 3104, 0, 3042,0
2951, 147500, 252, 2105, 3788, 3136, 2, 3008,0
2952, 147550, 270, 2066, 3808, 3169, 3, 2974,0
2953, 147600, 290, 2028, 3827, 3201, 6, 2939,0
2954, 147650, 309, 1989, 3845, 3232, 9, 2904,0
2955, 147700, 330, 1951, 3863, 3263, 13, 2869,0
2956, 147750, 351, 1912, 3881, 3294, 18, 2834,0
2957, 147800, 373, 1874, 3898, 3324, 24, 2798,0
2958, 147850, 395, 1836, 3914, 3354, 30, 2762,0
2959, 147900, 418, 1797, 3929, 3383, 37, 2726,0
2960, 147950, 442, 1759, 3944, 3412, 44, 2690,0
2961, 148000, 466, 1721, 3958, 3441, 53, 2653,0
2962, 148050, 490, 1683, 3971, 3469, 62, 2616,0
2963, 148100, 516, 1645, 3984, 3496, 71, 2579,0
2964, 148150, 541, 1608, 3996, 3523, 82, 2542,0
2965, 148200, 568, 1570, 4007, 3549, 93, 2504,0
2966, 148250, 594, 1533, 4017, 3575, 105, 2467,0
2967, 148300, 622, 1496, 4027, 3600, 117, 2429,0
2968, 148350, 649, 1459, 4037, 3625, 130, 2391,0
2969, 148400, 678, 1422, 4045, 3649, 144, 2353,0

2970, 148450, 707, 1385, 4053, 3673, 159, 2315,0
2971, 148500, 736, 1349, 4060, 3696, 174, 2277,0
2972, 148550, 766, 1313, 4066, 3718, 190, 2239,0
2973, 148600, 796, 1277, 4072, 3740, 206, 2201,0
2974, 148650, 826, 1242, 4077, 3761, 224, 2162,0
2975, 148700, 857, 1206, 4081, 3782, 241, 2124,0
2976, 148750, 889, 1172, 4084, 3802, 260, 2085,0
2977, 148800, 921, 1137, 4087, 3821, 279, 2047,0
2978, 148850, 953, 1103, 4089, 3840, 299, 2009,0
2979, 148900, 986, 1069, 4090, 3858, 319, 1970,0
2980, 148950, 1019, 1035, 4091, 3875, 340, 1932,0
2981, 149000, 1052, 1002, 4091, 3892, 362, 1894,0
2982, 149050, 1086, 969, 4090, 3908, 384, 1855,0
2983, 149100, 1120, 936, 4088, 3924, 406, 1817,0
2984, 149150, 1155, 904, 4086, 3939, 430, 1779,0
2985, 149200, 1190, 873, 4083, 3953, 454, 1741,0
2986, 149250, 1225, 841, 4079, 3966, 478, 1703,0
2987, 149300, 1260, 810, 4075, 3979, 503, 1665,0
2988, 149350, 1296, 780, 4069, 3991, 529, 1628,0
2989, 149400, 1332, 750, 4063, 4002, 555, 1590,0
2990, 149450, 1368, 720, 4057, 4013, 581, 1553,0
2991, 149500, 1404, 691, 4049, 4023, 608, 1516,0
2992, 149550, 1441, 663, 4041, 4033, 636, 1479,0

2993, 149600, 1478, 635, 4032, 4041, 664, 1442,0
2994, 149650, 1515, 607, 4023, 4049, 693, 1406,0
2995, 149700, 1552, 580, 4013, 4056, 722, 1369,0
2996, 149750, 1590, 554, 4002, 4063, 752, 1333,0
2997, 149800, 1627, 528, 3990, 4068, 782, 1298,0
2998, 149850, 1665, 502, 3978, 4073, 812, 1262,0
2999, 149900, 1703, 477, 3965, 4078, 843, 1227,0
3000, 149950, 1741, 453, 3951, 4081, 874, 1192,0
3001, 150000, 1779, 429, 3937, 4084, 906, 1157,0
3002, 150050, 1817, 406, 3922, 4086, 938, 1123,0
3003, 150100, 1856, 383, 3906, 4088, 971, 1089,0
3004, 150150, 1894, 361, 3890, 4089, 1004, 1055,0
3005, 150200, 1932, 340, 3873, 4088, 1037, 1022,0
3006, 150250, 1971, 319, 3855, 4088, 1071, 989,0
3007, 150300, 2009, 299, 3837, 4086, 1105, 957,0
3008, 150350, 2048, 279, 3818, 4084, 1139, 924,0
3009, 150400, 2086, 260, 3799, 4081, 1174, 893,0
3010, 150450, 2125, 242, 3779, 4077, 1209, 861,0
3011, 150500, 2163, 224, 3758, 4073, 1244, 831,0
3012, 150550, 2202, 207, 3736, 4068, 1279, 800,0
3013, 150600, 2240, 191, 3714, 4062, 1315, 770,0
3014, 150650, 2278, 175, 3692, 4056, 1351, 740,0
3015, 150700, 2317, 160, 3669, 4048, 1388, 711,0

3016, 150750, 2355, 146, 3645, 4040, 1424, 683,0
3017, 150800, 2393, 132, 3621, 4032, 1461, 655,0
3018, 150850, 2431, 119, 3596, 4022, 1498, 627,0
3019, 150900, 2468, 107, 3570, 4012, 1535, 600,0
3020, 150950, 2506, 95, 3544, 4002, 1572, 573,0
3021, 151000, 2544, 84, 3518, 3990, 1610, 547,0
3022, 151050, 2581, 74, 3491, 3978, 1647, 522,0
3023, 151100, 2618, 64, 3463, 3965, 1685, 497,0
3024, 151150, 2655, 55, 3435, 3952, 1723, 472,0
3025, 151200, 2691, 47, 3407, 3937, 1761, 448,0
3026, 151250, 2728, 40, 3378, 3922, 1799, 425,0
3027, 151300, 2764, 33, 3348, 3907, 1838, 402,0
3028, 151350, 2800, 27, 3319, 3891, 1876, 380,0
3029, 151400, 2836, 22, 3288, 3874, 1914, 359,0
3030, 151450, 2871, 17, 3257, 3856, 1953, 338,0
3031, 151500, 2906, 13, 3226, 3838, 1991, 318,0
3032, 151550, 2941, 10, 3194, 3819, 2029, 298,0
3033, 151600, 2975, 8, 3162, 3800, 2068, 279,0
3034, 151650, 3010, 6, 3130, 3780, 2106, 260,0
3035, 151700, 3043, 5, 3097, 3759, 2145, 243,0
3036, 151750, 3077, 5, 3064, 3738, 2183, 225,0
3037, 151800, 3110, 5, 3030, 3716, 2221, 209,0
3038, 151850, 3143, 6, 2996, 3694, 2260, 193,0

3039, 151900, 3175, 8, 2962, 3671, 2298, 178,0
3040, 151950, 3207, 11, 2927, 3647, 2336, 163,0
3041, 152000, 3238, 14, 2892, 3623, 2374, 149,0
3042, 152050, 3270, 19, 2857, 3598, 2412, 136,0
3043, 152100, 3300, 23, 2822, 3573, 2450, 124,0
3044, 152150, 3330, 29, 2786, 3547, 2487, 112,0
3045, 152200, 3360, 35, 2750, 3520, 2525, 101,0
3046, 152250, 3389, 42, 2714, 3494, 2562, 91,0
3047, 152300, 3418, 50, 2677, 3466, 2599, 81,0
3048, 152350, 3447, 58, 2640, 3438, 2636, 72,0
3049, 152400, 3474, 67, 2603, 3410, 2672, 63,0
3050, 152450, 3502, 77, 2566, 3381, 2709, 56,0
3051, 152500, 3529, 88, 2529, 3351, 2745, 49,0
3052, 152550, 3555, 99, 2491, 3322, 2781, 43,0
3053, 152600, 3581, 111, 2454, 3291, 2817, 37,0
3054, 152650, 3606, 124, 2416, 3261, 2852, 33,0
3055, 152700, 3630, 137, 2378, 3229, 2887, 29,0
3056, 152750, 3655, 151, 2340, 3198, 2922, 25,0
3057, 152800, 3678, 165, 2302, 3166, 2957, 23,0
3058, 152850, 3701, 181, 2263, 3133, 2991, 21,0
3059, 152900, 3723, 197, 2225, 3101, 3025, 20,0
3060, 152950, 3745, 213, 2187, 3067, 3058, 19,0
3061, 153000, 3766, 231, 2148, 3034, 3091, 20,0

3062, 153050, 3787, 249, 2110, 3000, 3124, 21,0
3063, 153100, 3807, 267, 2071, 2966, 3156, 22,0
3064, 153150, 3826, 286, 2033, 2931, 3188, 25,0
3065, 153200, 3845, 306, 1994, 2896, 3220, 28,0
3066, 153250, 3863, 327, 1956, 2861, 3251, 32,0
3067, 153300, 3880, 348, 1917, 2826, 3282, 37,0
3068, 153350, 3897, 369, 1879, 2790, 3312, 42,0
3069, 153400, 3913, 392, 1840, 2754, 3342, 48,0
3070, 153450, 3928, 414, 1802, 2718, 3371, 55,0
3071, 153500, 3943, 438, 1764, 2681, 3400, 62,0
3072, 153550, 3957, 462, 1726, 2645, 3429, 71,0
3073, 153600, 3971, 486, 1688, 2608, 3456, 80,0
3074, 153650, 3983, 511, 1650, 2571, 3484, 89,0
3075, 153700, 3995, 537, 1612, 2533, 3511, 100,0
3076, 153750, 4007, 563, 1575, 2496, 3537, 111,0
3077, 153800, 4017, 590, 1537, 2458, 3563, 122,0
3078, 153850, 4027, 617, 1500, 2420, 3588, 135,0
3079, 153900, 4036, 645, 1463, 2382, 3613, 148,0
3080, 153950, 4045, 673, 1426, 2344, 3637, 162,0
3081, 154000, 4053, 702, 1390, 2306, 3661, 176,0
3082, 154050, 4060, 731, 1353, 2268, 3684, 191,0
3083, 154100, 4066, 761, 1317, 2230, 3706, 207,0
3084, 154150, 4072, 791, 1282, 2191, 3728, 223,0

3085, 154200, 4077, 822, 1246, 2153, 3749, 240,0
3086, 154250, 4081, 853, 1211, 2114, 3770, 258,0
3087, 154300, 4085, 884, 1176, 2076, 3790, 277,0
3088, 154350, 4087, 916, 1141, 2037, 3810, 296,0
3089, 154400, 4089, 948, 1107, 1999, 3828, 315,0
3090, 154450, 4091, 981, 1073, 1960, 3847, 335,0
3091, 154500, 4091, 1014, 1039, 1922, 3864, 356,0
3092, 154550, 4091, 1047, 1006, 1884, 3881, 378,0
3093, 154600, 4090, 1081, 973, 1845, 3897, 400,0
3094, 154650, 4089, 1115, 940, 1807, 3913, 422,0
3095, 154700, 4087, 1150, 908, 1769, 3928, 446,0
3096, 154750, 4084, 1184, 876, 1731, 3942, 469,0
3097, 154800, 4080, 1220, 845, 1693, 3955, 494,0
3098, 154850, 4075, 1255, 814, 1655, 3968, 519,0
3099, 154900, 4070, 1290, 783, 1617, 3980, 544,0
3100, 154950, 4064, 1326, 753, 1579, 3992, 570,0
3101, 155000, 4058, 1363, 724, 1542, 4003, 597,0
3102, 155050, 4050, 1399, 695, 1505, 4013, 624,0
3103, 155100, 4042, 1436, 666, 1468, 4022, 651,0
3104, 155150, 4034, 1472, 638, 1431, 4031, 679,0
3105, 155200, 4024, 1510, 610, 1394, 4039, 708,0
3106, 155250, 4014, 1547, 583, 1358, 4046, 737,0
3107, 155300, 4003, 1584, 557, 1322, 4053, 766,0

3108, 155350, 3992, 1622, 531, 1286, 4059, 796,0
3109, 155400, 3979, 1660, 505, 1250, 4064, 827,0
3110, 155450, 3966, 1697, 480, 1215, 4068, 858,0
3111, 155500, 3953, 1735, 456, 1180, 4072, 889,0
3112, 155550, 3939, 1774, 432, 1145, 4075, 921,0
3113, 155600, 3924, 1812, 408, 1111, 4077, 953,0
3114, 155650, 3908, 1850, 386, 1077, 4079, 985,0
3115, 155700, 3892, 1888, 364, 1043, 4079, 1018,0
3116, 155750, 3875, 1927, 342, 1009, 4079, 1051,0
3117, 155800, 3857, 1965, 321, 976, 4079, 1085,0
3118, 155850, 3839, 2004, 301, 944, 4077, 1119,0
3119, 155900, 3820, 2042, 281, 912, 4075, 1153,0
3120, 155950, 3801, 2081, 262, 880, 4073, 1188,0
3121, 156000, 3780, 2119, 244, 848, 4069, 1223,0
3122, 156050, 3760, 2158, 226, 817, 4065, 1258,0
3123, 156100, 3738, 2196, 209, 787, 4060, 1293,0
3124, 156150, 3716, 2235, 192, 757, 4054, 1329,0
3125, 156200, 3694, 2273, 177, 727, 4048, 1365,0
3126, 156250, 3671, 2311, 161, 698, 4040, 1401,0
3127, 156300, 3647, 2349, 147, 669, 4033, 1438,0
3128, 156350, 3623, 2387, 133, 641, 4024, 1474,0
3129, 156400, 3598, 2425, 120, 613, 4015, 1511,0
3130, 156450, 3573, 2463, 108, 586, 4005, 1549,0

3131, 156500, 3547, 2501, 96, 559, 3994, 1586,0
3132, 156550, 3520, 2538, 85, 533, 3983, 1623,0
3133, 156600, 3493, 2576, 74, 507, 3971, 1661,0
3134, 156650, 3466, 2613, 65, 482, 3958, 1699,0
3135, 156700, 3438, 2650, 56, 458, 3945, 1737,0
3136, 156750, 3409, 2686, 48, 434, 3931, 1775,0
3137, 156800, 3380, 2723, 40, 410, 3916, 1813,0
3138, 156850, 3351, 2759, 33, 388, 3900, 1851,0
3139, 156900, 3321, 2795, 27, 365, 3884, 1889,0
3140, 156950, 3291, 2831, 22, 344, 3868, 1927,0
3141, 157000, 3260, 2866, 17, 323, 3850, 1966,0
3142, 157050, 3229, 2901, 13, 302, 3832, 2004,0
3143, 157100, 3197, 2936, 10, 283, 3813, 2043,0
3144, 157150, 3165, 2971, 7, 263, 3794, 2081,0
3145, 157200, 3132, 3005, 6, 245, 3774, 2119,0
3146, 157250, 3099, 3039, 5, 227, 3754, 2158,0
3147, 157300, 3066, 3072, 4, 210, 3733, 2196,0
3148, 157350, 3033, 3106, 5, 193, 3711, 2234,0
3149, 157400, 2999, 3138, 6, 177, 3688, 2273,0
3150, 157450, 2964, 3171, 8, 162, 3666, 2311,0
3151, 157500, 2930, 3203, 10, 147, 3642, 2349,0
3152, 157550, 2895, 3234, 14, 133, 3618, 2387,0
3153, 157600, 2860, 3265, 18, 120, 3593, 2425,0

3154, 157650, 2824, 3296, 22, 108, 3568, 2462,0
3155, 157700, 2789, 3326, 28, 96, 3542, 2500,0
3156, 157750, 2752, 3356, 34, 85, 3516, 2538,0
3157, 157800, 2716, 3386, 41, 74, 3489, 2575,0
3158, 157850, 2680, 3415, 49, 64, 3462, 2612,0
3159, 157900, 2643, 3443, 57, 55, 3434, 2649,0
3160, 157950, 2606, 3471, 66, 47, 3406, 2685,0
3161, 158000, 2569, 3498, 76, 39, 3377, 2722,0
3162, 158050, 2531, 3525, 86, 32, 3348, 2758,0
3163, 158100, 2494, 3552, 97, 26, 3318, 2794,0
3164, 158150, 2456, 3577, 109, 21, 3288, 2830,0
3165, 158200, 2418, 3603, 122, 16, 3257, 2865,0
3166, 158250, 2381, 3627, 135, 12, 3226, 2900,0
3167, 158300, 2342, 3652, 149, 8, 3195, 2935,0
3168, 158350, 2304, 3675, 163, 6, 3163, 2970,0
3169, 158400, 2266, 3698, 178, 4, 3131, 3004,0
3170, 158450, 2228, 3721, 194, 3, 3098, 3038,0
3171, 158500, 2189, 3742, 211, 2, 3065, 3071,0
3172, 158550, 2151, 3764, 228, 2, 3031, 3104,0
3173, 158600, 2112, 3784, 246, 3, 2998, 3137,0
3174, 158650, 2074, 3804, 264, 5, 2964, 3169,0
3175, 158700, 2035, 3824, 284, 8, 2929, 3201,0
3176, 158750, 1997, 3843, 303, 11, 2894, 3233,0

3177, 158800, 1958, 3861, 324, 15, 2859, 3264,0
3178, 158850, 1920, 3878, 345, 19, 2824, 3295,0
3179, 158900, 1881, 3895, 366, 25, 2788, 3325,0
3180, 158950, 1843, 3911, 388, 31, 2752, 3355,0
3181, 159000, 1805, 3927, 411, 37, 2716, 3385,0
3182, 159050, 1767, 3941, 435, 45, 2680, 3414,0
3183, 159100, 1728, 3956, 458, 53, 2643, 3442,0
3184, 159150, 1690, 3969, 483, 62, 2606, 3470,0
3185, 159200, 1653, 3982, 508, 72, 2569, 3497,0
3186, 159250, 1615, 3994, 534, 82, 2532, 3524,0
3187, 159300, 1577, 4006, 560, 93, 2495, 3551,0
3188, 159350, 1540, 4016, 586, 105, 2457, 3577,0
3189, 159400, 1503, 4026, 614, 117, 2419, 3602,0
3190, 159450, 1466, 4036, 641, 130, 2382, 3627,0
3191, 159500, 1429, 4044, 670, 144, 2344, 3651,0
3192, 159550, 1392, 4052, 698, 158, 2306, 3675,0
3193, 159600, 1356, 4059, 727, 174, 2267, 3698,0
3194, 159650, 1320, 4066, 757, 189, 2229, 3720,0
3195, 159700, 1284, 4072, 787, 206, 2191, 3742,0
3196, 159750, 1248, 4077, 818, 223, 2153, 3764,0
3197, 159800, 1213, 4081, 849, 241, 2114, 3784,0
3198, 159850, 1178, 4085, 880, 259, 2076, 3804,0
3199, 159900, 1143, 4088, 912, 278, 2037, 3824,0

3200, 159950, 1109, 4090, 944, 298, 1999, 3843,0
3201, 160000, 1075, 4091, 977, 318, 1960, 3861,0
3202, 160050, 1041, 4092, 1010, 339, 1922, 3879,0
3203, 160100, 1008, 4092, 1043, 360, 1884, 3895,0
3204, 160150, 975, 4091, 1077, 382, 1845, 3912,0
3205, 160200, 942, 4090, 1111, 405, 1807, 3927,0
3206, 160250, 910, 4087, 1145, 428, 1769, 3942,0
3207, 160300, 878, 4085, 1180, 452, 1731, 3957,0
3208, 160350, 847, 4081, 1215, 476, 1693, 3970,0
3209, 160400, 816, 4077, 1250, 501, 1655, 3983,0
3210, 160450, 785, 4071, 1286, 527, 1617, 3995,0
3211, 160500, 755, 4066, 1322, 553, 1580, 4007,0
3212, 160550, 726, 4059, 1358, 579, 1542, 4018,0
3213, 160600, 696, 4052, 1394, 607, 1505, 4028,0
3214, 160650, 668, 4044, 1431, 634, 1468, 4037,0
3215, 160700, 640, 4035, 1468, 662, 1431, 4046,0
3216, 160750, 612, 4026, 1505, 691, 1395, 4054,0
3217, 160800, 585, 4016, 1542, 720, 1358, 4062,0
3218, 160850, 558, 4005, 1580, 750, 1322, 4068,0
3219, 160900, 532, 3994, 1617, 780, 1286, 4074,0
3220, 160950, 506, 3982, 1655, 810, 1251, 4079,0
3221, 161000, 481, 3969, 1693, 841, 1216, 4084,0
3222, 161050, 457, 3955, 1731, 872, 1181, 4088,0

3223, 161100, 433, 3941, 1769, 904, 1146, 4091,0
3224, 161150, 410, 3926, 1807, 936, 1111, 4093,0
3225, 161200, 387, 3911, 1845, 969, 1077, 4095,0
3226, 161250, 365, 3894, 1884, 1002, 1044, 4096,0
3227, 161300, 343, 3878, 1922, 1035, 1010, 4096,0
3228, 161350, 322, 3860, 1961, 1069, 977, 4095,0
3229, 161400, 302, 3842, 1999, 1103, 945, 4094,0
3230, 161450, 282, 3823, 2038, 1137, 912, 4092,0
3231, 161500, 263, 3804, 2076, 1172, 881, 4089,0
3232, 161550, 245, 3784, 2115, 1207, 849, 4086,0
3233, 161600, 227, 3763, 2153, 1242, 818, 4081,0
3234, 161650, 210, 3742, 2192, 1277, 787, 4077,0
3235, 161700, 193, 3720, 2230, 1313, 757, 4071,0
3236, 161750, 177, 3697, 2268, 1349, 728, 4065,0
3237, 161800, 162, 3674, 2307, 1386, 698, 4058,0
3238, 161850, 147, 3651, 2345, 1422, 670, 4050,0
3239, 161900, 134, 3627, 2383, 1459, 642, 4041,0
3240, 161950, 120, 3602, 2421, 1496, 614, 4032,0
3241, 162000, 108, 3576, 2459, 1533, 587, 4022,0
3242, 162050, 96, 3551, 2496, 1571, 560, 4012,0
3243, 162100, 85, 3524, 2534, 1608, 534, 4000,0
3244, 162150, 75, 3497, 2571, 1646, 508, 3988,0
3245, 162200, 65, 3470, 2608, 1684, 483, 3976,0

3246, 162250, 56, 3442, 2645, 1722, 458, 3962,0
3247, 162300, 48, 3414, 2682, 1760, 434, 3948,0
3248, 162350, 40, 3385, 2719, 1798, 411, 3934,0
3249, 162400, 33, 3355, 2755, 1836, 388, 3918,0
3250, 162450, 27, 3325, 2791, 1875, 366, 3902,0
3251, 162500, 22, 3295, 2827, 1913, 344, 3886,0
3252, 162550, 17, 3264, 2862, 1952, 323, 3868,0
3253, 162600, 13, 3233, 2897, 1990, 303, 3850,0
3254, 162650, 10, 3202, 2932, 2029, 283, 3832,0
3255, 162700, 7, 3170, 2967, 2067, 263, 3813,0
3256, 162750, 5, 3137, 3001, 2106, 245, 3793,0
3257, 162800, 4, 3104, 3035, 2144, 227, 3772,0
3258, 162850, 4, 3071, 3069, 2183, 210, 3751,0
3259, 162900, 4, 3038, 3102, 2221, 193, 3730,0
3260, 162950, 5, 3004, 3135, 2259, 177, 3707,0
3261, 163000, 7, 2970, 3167, 2298, 162, 3684,0
3262, 163050, 10, 2935, 3199, 2336, 147, 3661,0
3263, 163100, 13, 2900, 3231, 2374, 133, 3637,0
3264, 163150, 17, 2865, 3262, 2412, 120, 3612,0
3265, 163200, 21, 2829, 3293, 2450, 107, 3587,0
3266, 163250, 27, 2794, 3323, 2487, 95, 3562,0
3267, 163300, 33, 2758, 3353, 2525, 84, 3535,0
3268, 163350, 40, 2721, 3382, 2562, 73, 3509,0

3269, 163400, 47, 2685, 3411, 2600, 63, 3481,0
3270, 163450, 56, 2648, 3440, 2637, 54, 3454,0
3271, 163500, 65, 2611, 3468, 2673, 46, 3426,0
3272, 163550, 74, 2574, 3495, 2710, 38, 3397,0
3273, 163600, 85, 2537, 3522, 2746, 31, 3368,0
3274, 163650, 96, 2499, 3549, 2782, 25, 3338,0
3275, 163700, 108, 2462, 3575, 2818, 19, 3308,0
3276, 163750, 120, 2424, 3600, 2854, 14, 3277,0
3277, 163800, 133, 2386, 3625, 2889, 10, 3246,0
3278, 163850, 147, 2348, 3649, 2924, 7, 3215,0
3279, 163900, 162, 2310, 3673, 2958, 4, 3183,0
3280, 163950, 177, 2271, 3696, 2993, 2, 3151,0
3281, 164000, 193, 2233, 3718, 3027, 1, 3118,0
3282, 164050, 209, 2195, 3740, 3060, 0, 3085,0
3283, 164100, 226, 2156, 3762, 3094, 0, 3052,0
3284, 164150, 244, 2118, 3782, 3127, 1, 3018,0
3285, 164200, 263, 2079, 3802, 3159, 3, 2984,0
3286, 164250, 282, 2041, 3822, 3191, 5, 2949,0
3287, 164300, 301, 2002, 3841, 3223, 8, 2915,0
3288, 164350, 322, 1964, 3859, 3254, 12, 2880,0
3289, 164400, 343, 1925, 3876, 3285, 16, 2844,0
3290, 164450, 364, 1887, 3893, 3316, 22, 2809,0
3291, 164500, 386, 1848, 3910, 3345, 28, 2773,0

3292, 164550, 409, 1810, 3925, 3375, 34, 2737,0
3293, 164600, 433, 1772, 3940, 3404, 42, 2700,0
3294, 164650, 456, 1734, 3954, 3433, 50, 2664,0
3295, 164700, 481, 1696, 3968, 3461, 59, 2627,0
3296, 164750, 506, 1658, 3981, 3488, 68, 2590,0
3297, 164800, 531, 1620, 3993, 3515, 78, 2553,0
3298, 164850, 558, 1582, 4005, 3542, 89, 2515,0
3299, 164900, 584, 1545, 4015, 3568, 101, 2478,0
3300, 164950, 611, 1508, 4026, 3593, 113, 2440,0
3301, 165000, 639, 1471, 4035, 3618, 126, 2402,0
3302, 165050, 667, 1434, 4044, 3642, 140, 2364,0
3303, 165100, 696, 1397, 4052, 3666, 154, 2326,0
3304, 165150, 725, 1361, 4059, 3689, 169, 2288,0
3305, 165200, 755, 1325, 4066, 3712, 185, 2250,0
3306, 165250, 785, 1289, 4071, 3734, 201, 2212,0
3307, 165300, 815, 1253, 4077, 3756, 218, 2173,0
3308, 165350, 846, 1218, 4081, 3776, 236, 2135,0
3309, 165400, 878, 1183, 4085, 3797, 254, 2097,0
3310, 165450, 909, 1148, 4088, 3816, 273, 2058,0
3311, 165500, 942, 1113, 4090, 3835, 292, 2020,0
3312, 165550, 974, 1079, 4092, 3853, 312, 1981,0
3313, 165600, 1007, 1045, 4092, 3871, 333, 1943,0
3314, 165650, 1041, 1012, 4092, 3888, 355, 1904,0

3315, 165700, 1074, 979, 4092, 3905, 377, 1866,0
3316, 165750, 1108, 946, 4090, 3920, 399, 1828,0
3317, 165800, 1143, 914, 4088, 3935, 422, 1790,0
3318, 165850, 1177, 882, 4085, 3950, 446, 1752,0
3319, 165900, 1212, 851, 4082, 3963, 470, 1714,0
3320, 165950, 1248, 820, 4078, 3976, 495, 1676,0
3321, 166000, 1283, 789, 4073, 3989, 520, 1638,0
3322, 166050, 1319, 759, 4067, 4000, 546, 1601,0
3323, 166100, 1355, 729, 4060, 4011, 573, 1563,0
3324, 166150, 1392, 700, 4053, 4022, 600, 1526,0
3325, 166200, 1428, 671, 4045, 4031, 627, 1489,0
3326, 166250, 1465, 643, 4037, 4040, 655, 1452,0
3327, 166300, 1502, 615, 4028, 4048, 684, 1416,0
3328, 166350, 1539, 588, 4018, 4056, 713, 1379,0
3329, 166400, 1577, 561, 4007, 4062, 742, 1343,0
3330, 166450, 1614, 535, 3996, 4068, 772, 1307,0
3331, 166500, 1652, 510, 3984, 4074, 802, 1271,0
3332, 166550, 1690, 484, 3971, 4078, 833, 1236,0
3333, 166600, 1728, 460, 3957, 4082, 864, 1201,0
3334, 166650, 1766, 436, 3943, 4085, 896, 1166,0
3335, 166700, 1804, 412, 3928, 4088, 928, 1132,0
3336, 166750, 1843, 390, 3913, 4089, 961, 1098,0
3337, 166800, 1881, 367, 3897, 4090, 993, 1064,0

3338, 166850, 1919, 346, 3880, 4090, 1027, 1031,0
3339, 166900, 1958, 325, 3863, 4090, 1060, 998,0
3340, 166950, 1996, 304, 3845, 4089, 1094, 965,0
3341, 167000, 2035, 284, 3826, 4087, 1128, 933,0
3342, 167050, 2074, 265, 3807, 4084, 1163, 901,0
3343, 167100, 2112, 247, 3787, 4080, 1198, 869,0
3344, 167150, 2151, 229, 3766, 4076, 1233, 838,0
3345, 167200, 2189, 212, 3745, 4071, 1268, 808,0
3346, 167250, 2227, 195, 3723, 4066, 1304, 777,0
3347, 167300, 2266, 179, 3701, 4060, 1340, 748,0
3348, 167350, 2304, 164, 3678, 4053, 1376, 718,0
3349, 167400, 2342, 149, 3654, 4045, 1413, 690,0
3350, 167450, 2380, 135, 3630, 4036, 1450, 661,0
3351, 167500, 2418, 122, 3605, 4027, 1487, 633,0
3352, 167550, 2456, 109, 3580, 4017, 1524, 606,0
3353, 167600, 2494, 97, 3554, 4007, 1561, 579,0
3354, 167650, 2531, 86, 3528, 3996, 1598, 553,0
3355, 167700, 2569, 76, 3501, 3984, 1636, 527,0
3356, 167750, 2606, 66, 3474, 3971, 1674, 502,0
3357, 167800, 2643, 57, 3446, 3958, 1712, 478,0
3358, 167850, 2680, 48, 3417, 3944, 1750, 453,0
3359, 167900, 2716, 41, 3389, 3929, 1788, 430,0
3360, 167950, 2752, 34, 3359, 3914, 1826, 407,0

3361, 168000, 2789, 27, 3329, 3898, 1864, 385,0
3362, 168050, 2824, 22, 3299, 3881, 1903, 363,0
3363, 168100, 2860, 17, 3268, 3864, 1941, 342,0
3364, 168150, 2895, 13, 3237, 3846, 1980, 321,0
3365, 168200, 2930, 10, 3206, 3827, 2018, 301,0
3366, 168250, 2965, 7, 3174, 3808, 2057, 282,0
3367, 168300, 2999, 5, 3141, 3788, 2095, 263,0
3368, 168350, 3033, 4, 3109, 3768, 2133, 245,0
3369, 168400, 3066, 3, 3076, 3747, 2172, 228,0
3370, 168450, 3100, 4, 3042, 3725, 2210, 211,0
3371, 168500, 3133, 5, 3008, 3703, 2249, 195,0
3372, 168550, 3165, 6, 2974, 3680, 2287, 180,0
3373, 168600, 3197, 9, 2939, 3656, 2325, 165,0
3374, 168650, 3229, 12, 2905, 3632, 2363, 151,0
3375, 168700, 3260, 16, 2870, 3608, 2401, 138,0
3376, 168750, 3291, 20, 2834, 3583, 2439, 125,0
3377, 168800, 3321, 26, 2798, 3557, 2476, 113,0
3378, 168850, 3351, 32, 2762, 3531, 2514, 101,0
3379, 168900, 3381, 38, 2726, 3504, 2551, 91,0
3380, 168950, 3410, 46, 2690, 3477, 2588, 81,0
3381, 169000, 3438, 54, 2653, 3449, 2625, 72,0
3382, 169050, 3466, 63, 2616, 3421, 2662, 63,0
3383, 169100, 3494, 73, 2579, 3392, 2699, 55,0

3384, 169150, 3521, 83, 2542, 3363, 2735, 48,0
3385, 169200, 3547, 94, 2504, 3333, 2771, 42,0
3386, 169250, 3573, 106, 2466, 3303, 2807, 36,0
3387, 169300, 3598, 118, 2429, 3272, 2842, 31,0
3388, 169350, 3623, 131, 2391, 3241, 2878, 27,0
3389, 169400, 3648, 145, 2353, 3210, 2913, 23,0
3390, 169450, 3671, 159, 2315, 3178, 2947, 20,0
3391, 169500, 3695, 174, 2276, 3145, 2981, 18,0
3392, 169550, 3717, 190, 2238, 3113, 3015, 17,0
3393, 169600, 3739, 206, 2200, 3080, 3049, 16,0
3394, 169650, 3760, 224, 2161, 3046, 3082, 16,0
3395, 169700, 3781, 241, 2123, 3012, 3115, 17,0
3396, 169750, 3801, 260, 2084, 2978, 3148, 19,0
3397, 169800, 3821, 279, 2045, 2944, 3180, 21,0
3398, 169850, 3840, 298, 2007, 2909, 3212, 24,0
3399, 169900, 3858, 319, 1968, 2874, 3243, 28,0
3400, 169950, 3876, 339, 1930, 2839, 3274, 32,0
3401, 170000, 3893, 361, 1891, 2803, 3304, 37,0
3402, 170050, 3909, 383, 1853, 2767, 3334, 43,0
3403, 170100, 3924, 406, 1815, 2731, 3364, 49,0
3404, 170150, 3939, 429, 1776, 2694, 3393, 57,0
3405, 170200, 3954, 453, 1738, 2658, 3421, 65,0
3406, 170250, 3967, 477, 1700, 2621, 3450, 73,0

3407, 170300, 3980, 502, 1662, 2584, 3477, 83,0
3408, 170350, 3993, 528, 1625, 2546, 3504, 93,0
3409, 170400, 4004, 554, 1587, 2509, 3531, 104,0
3410, 170450, 4015, 580, 1550, 2471, 3557, 115,0
3411, 170500, 4025, 607, 1512, 2434, 3582, 127,0
3412, 170550, 4035, 635, 1475, 2396, 3607, 140,0
3413, 170600, 4043, 663, 1438, 2358, 3632, 154,0
3414, 170650, 4052, 692, 1402, 2320, 3655, 168,0
3415, 170700, 4059, 721, 1365, 2281, 3679, 183,0
3416, 170750, 4066, 750, 1329, 2243, 3701, 199,0
3417, 170800, 4071, 780, 1293, 2205, 3723, 215,0
3418, 170850, 4077, 811, 1257, 2166, 3745, 232,0
3419, 170900, 4081, 842, 1222, 2128, 3766, 249,0
3420, 170950, 4085, 873, 1187, 2089, 3786, 267,0
3421, 171000, 4088, 905, 1152, 2051, 3806, 286,0
3422, 171050, 4090, 937, 1117, 2012, 3825, 306,0
3423, 171100, 4092, 969, 1083, 1974, 3843, 326,0
3424, 171150, 4093, 1002, 1049, 1935, 3861, 346,0
3425, 171200, 4093, 1036, 1016, 1897, 3878, 368,0
3426, 171250, 4092, 1069, 983, 1858, 3894, 389,0
3427, 171300, 4091, 1103, 950, 1820, 3910, 412,0
3428, 171350, 4089, 1138, 918, 1782, 3925, 435,0
3429, 171400, 4086, 1172, 886, 1743, 3940, 459,0

3430, 171450, 4082, 1207, 854, 1705, 3954, 483,0
3431, 171500, 4078, 1243, 823, 1667, 3967, 508,0
3432, 171550, 4073, 1278, 793, 1630, 3979, 533,0
3433, 171600, 4068, 1314, 763, 1592, 3991, 559,0
3434, 171650, 4061, 1350, 733, 1554, 4002, 585,0
3435, 171700, 4054, 1386, 703, 1517, 4012, 612,0
3436, 171750, 4046, 1423, 675, 1480, 4022, 639,0
3437, 171800, 4038, 1460, 646, 1443, 4031, 667,0
3438, 171850, 4029, 1497, 619, 1406, 4039, 696,0
3439, 171900, 4019, 1534, 591, 1370, 4047, 725,0
3440, 171950, 4008, 1571, 564, 1334, 4053, 754,0
3441, 172000, 3997, 1609, 538, 1298, 4059, 784,0
3442, 172050, 3985, 1647, 512, 1262, 4065, 814,0
3443, 172100, 3972, 1685, 487, 1226, 4070, 845,0
3444, 172150, 3959, 1723, 463, 1191, 4073, 876,0
3445, 172200, 3945, 1761, 439, 1156, 4077, 907,0
3446, 172250, 3930, 1799, 415, 1122, 4079, 939,0
3447, 172300, 3914, 1837, 392, 1088, 4081, 972,0
3448, 172350, 3898, 1876, 370, 1054, 4082, 1005,0
3449, 172400, 3882, 1914, 348, 1020, 4082, 1038,0
3450, 172450, 3864, 1952, 327, 987, 4082, 1071,0
3451, 172500, 3846, 1991, 306, 954, 4081, 1105,0
3452, 172550, 3827, 2030, 287, 922, 4079, 1139,0

3453, 172600, 3808, 2068, 267, 890, 4076, 1174,0
3454, 172650, 3788, 2107, 249, 858, 4073, 1209,0
3455, 172700, 3768, 2145, 231, 827, 4069, 1244,0
3456, 172750, 3747, 2184, 213, 796, 4064, 1279,0
3457, 172800, 3725, 2222, 197, 766, 4059, 1315,0
3458, 172850, 3702, 2260, 181, 736, 4053, 1351,0
3459, 172900, 3679, 2299, 165, 707, 4046, 1387,0
3460, 172950, 3656, 2337, 150, 678, 4038, 1423,0
3461, 173000, 3632, 2375, 136, 650, 4030, 1460,0
3462, 173050, 3607, 2413, 123, 622, 4021, 1497,0
3463, 173100, 3582, 2451, 110, 594, 4011, 1534,0
3464, 173150, 3556, 2489, 98, 567, 4001, 1571,0
3465, 173200, 3530, 2526, 87, 541, 3989, 1609,0
3466, 173250, 3503, 2564, 77, 515, 3978, 1646,0
3467, 173300, 3476, 2601, 67, 490, 3965, 1684,0
3468, 173350, 3448, 2638, 57, 465, 3952, 1722,0
3469, 173400, 3420, 2675, 49, 441, 3938, 1760,0
3470, 173450, 3391, 2711, 41, 418, 3923, 1798,0
3471, 173500, 3361, 2747, 34, 395, 3908, 1836,0
3472, 173550, 3332, 2784, 28, 372, 3892, 1874,0
3473, 173600, 3301, 2819, 22, 350, 3876, 1913,0
3474, 173650, 3271, 2855, 17, 329, 3859, 1951,0
3475, 173700, 3240, 2890, 13, 308, 3841, 1989,0

3476, 173750, 3208, 2925, 10, 288, 3822, 2028,0
3477, 173800, 3176, 2960, 7, 269, 3803, 2066,0
3478, 173850, 3144, 2994, 5, 250, 3784, 2105,0
3479, 173900, 3111, 3028, 4, 232, 3763, 2143,0
3480, 173950, 3078, 3062, 3, 215, 3742, 2182,0
3481, 174000, 3045, 3095, 3, 198, 3721, 2220,0
3482, 174050, 3011, 3128, 4, 182, 3699, 2258,0
3483, 174100, 2977, 3161, 6, 166, 3676, 2296,0
3484, 174150, 2942, 3193, 8, 151, 3652, 2335,0
3485, 174200, 2907, 3225, 11, 137, 3629, 2373,0
3486, 174250, 2872, 3256, 15, 124, 3604, 2411,0
3487, 174300, 2837, 3287, 19, 111, 3579, 2448,0
3488, 174350, 2801, 3317, 25, 99, 3554, 2486,0
3489, 174400, 2765, 3347, 31, 87, 3527, 2523,0
3490, 174450, 2729, 3377, 37, 77, 3501, 2561,0
3491, 174500, 2692, 3406, 45, 67, 3474, 2598,0
3492, 174550, 2656, 3434, 53, 57, 3446, 2635,0
3493, 174600, 2619, 3462, 62, 49, 3418, 2672,0
3494, 174650, 2582, 3490, 71, 41, 3389, 2708,0
3495, 174700, 2544, 3517, 81, 34, 3360, 2745,0
3496, 174750, 2507, 3544, 92, 27, 3330, 2781,0
3497, 174800, 2469, 3570, 104, 21, 3300, 2816,0
3498, 174850, 2431, 3595, 116, 16, 3270, 2852,0

3499, 174900, 2393, 3620, 129, 12, 3239, 2887,0
3500, 174950, 2355, 3645, 143, 8, 3208, 2922,0
3501, 175000, 2317, 3668, 157, 6, 3176, 2957,0
3502, 175050, 2279, 3692, 172, 3, 3144, 2991,0
3503, 175100, 2241, 3714, 188, 2, 3111, 3025,0
3504, 175150, 2202, 3736, 204, 1, 3078, 3059,0
3505, 175200, 2164, 3758, 221, 1, 3045, 3092,0
3506, 175250, 2125, 3779, 239, 2, 3011, 3125,0
3507, 175300, 2087, 3799, 257, 4, 2977, 3158,0
3508, 175350, 2048, 3818, 276, 6, 2943, 3190,0
3509, 175400, 2010, 3837, 296, 9, 2908, 3221,0
3510, 175450, 1971, 3856, 316, 12, 2873, 3253,0
3511, 175500, 1933, 3873, 337, 17, 2838, 3284,0
3512, 175550, 1894, 3890, 358, 22, 2802, 3314,0
3513, 175600, 1856, 3907, 380, 28, 2766, 3344,0
3514, 175650, 1817, 3923, 403, 34, 2730, 3374,0
3515, 175700, 1779, 3938, 426, 42, 2694, 3403,0
3516, 175750, 1741, 3952, 449, 49, 2657, 3432,0
3517, 175800, 1703, 3966, 474, 58, 2621, 3460,0
3518, 175850, 1665, 3979, 499, 68, 2584, 3487,0
3519, 175900, 1627, 3991, 524, 78, 2546, 3514,0
3520, 175950, 1589, 4003, 550, 88, 2509, 3541,0
3521, 176000, 1552, 4014, 577, 100, 2472, 3567,0

3522, 176050, 1515, 4024, 604, 112, 2434, 3593,0
3523, 176100, 1478, 4034, 631, 125, 2396, 3618,0
3524, 176150, 1441, 4043, 659, 139, 2358, 3642,0
3525, 176200, 1404, 4051, 688, 153, 2320, 3666,0
3526, 176250, 1367, 4058, 717, 168, 2282, 3689,0
3527, 176300, 1331, 4065, 746, 183, 2244, 3712,0
3528, 176350, 1295, 4071, 776, 199, 2205, 3734,0
3529, 176400, 1260, 4076, 807, 216, 2167, 3756,0
3530, 176450, 1224, 4081, 838, 234, 2128, 3777,0
3531, 176500, 1189, 4085, 869, 252, 2090, 3797,0
3532, 176550, 1154, 4088, 901, 271, 2052, 3817,0
3533, 176600, 1120, 4090, 933, 290, 2013, 3836,0
3534, 176650, 1085, 4092, 965, 310, 1975, 3854,0
3535, 176700, 1052, 4093, 998, 331, 1936, 3872,0
3536, 176750, 1018, 4093, 1031, 352, 1898, 3889,0
3537, 176800, 985, 4093, 1065, 374, 1859, 3906,0
3538, 176850, 952, 4091, 1099, 397, 1821, 3921,0
3539, 176900, 920, 4089, 1133, 420, 1783, 3937,0
3540, 176950, 888, 4087, 1168, 443, 1745, 3951,0
3541, 177000, 856, 4083, 1203, 468, 1707, 3965,0
3542, 177050, 825, 4079, 1238, 492, 1669, 3978,0
3543, 177100, 795, 4074, 1274, 518, 1631, 3991,0
3544, 177150, 764, 4069, 1309, 544, 1594, 4003,0

3545, 177200, 735, 4063, 1345, 570, 1556, 4014,0
3546, 177250, 705, 4056, 1382, 597, 1519, 4024,0
3547, 177300, 676, 4048, 1418, 624, 1482, 4034,0
3548, 177350, 648, 4039, 1455, 652, 1445, 4043,0
3549, 177400, 620, 4030, 1492, 681, 1408, 4051,0
3550, 177450, 593, 4020, 1529, 710, 1372, 4059,0
3551, 177500, 566, 4010, 1567, 739, 1335, 4066,0
3552, 177550, 540, 3999, 1604, 769, 1299, 4072,0
3553, 177600, 514, 3987, 1642, 799, 1264, 4077,0
3554, 177650, 489, 3974, 1680, 830, 1228, 4082,0
3555, 177700, 464, 3961, 1718, 861, 1193, 4086,0
3556, 177750, 440, 3947, 1756, 893, 1158, 4089,0
3557, 177800, 416, 3932, 1794, 925, 1124, 4092,0
3558, 177850, 393, 3917, 1832, 957, 1090, 4094,0
3559, 177900, 371, 3901, 1871, 990, 1056, 4095,0
3560, 177950, 349, 3884, 1909, 1023, 1022, 4095,0
3561, 178000, 328, 3867, 1948, 1057, 989, 4095,0
3562, 178050, 308, 3849, 1986, 1091, 956, 4094,0
3563, 178100, 288, 3830, 2025, 1125, 924, 4092,0
3564, 178150, 268, 3811, 2063, 1160, 892, 4089,0
3565, 178200, 250, 3791, 2102, 1195, 860, 4086,0
3566, 178250, 232, 3771, 2140, 1230, 829, 4082,0
3567, 178300, 214, 3750, 2179, 1265, 798, 4078,0

3568, 178350, 197, 3728, 2217, 1301, 768, 4072,0
3569, 178400, 181, 3706, 2256, 1337, 738, 4066,0
3570, 178450, 166, 3683, 2294, 1373, 709, 4059,0
3571, 178500, 151, 3660, 2332, 1410, 680, 4052,0
3572, 178550, 137, 3636, 2370, 1447, 652, 4044,0
3573, 178600, 124, 3611, 2408, 1484, 624, 4035,0
3574, 178650, 111, 3586, 2446, 1521, 596, 4025,0
3575, 178700, 99, 3560, 2484, 1558, 569, 4015,0
3576, 178750, 88, 3534, 2522, 1596, 543, 4004,0
3577, 178800, 77, 3507, 2559, 1633, 517, 3992,0
3578, 178850, 67, 3480, 2596, 1671, 492, 3979,0
3579, 178900, 58, 3452, 2633, 1709, 467, 3966,0
3580, 178950, 49, 3424, 2670, 1747, 443, 3952,0
3581, 179000, 41, 3395, 2707, 1785, 419, 3938,0
3582, 179050, 34, 3366, 2743, 1824, 396, 3923,0
3583, 179100, 28, 3336, 2779, 1862, 374, 3907,0
3584, 179150, 22, 3306, 2815, 1900, 352, 3891,0
3585, 179200, 17, 3275, 2851, 1939, 331, 3874,0
3586, 179250, 13, 3244, 2886, 1977, 310, 3856,0
3587, 179300, 10, 3213, 2921, 2016, 290, 3837,0
3588, 179350, 7, 3181, 2956, 2055, 270, 3818,0
3589, 179400, 5, 3149, 2990, 2093, 252, 3799,0
3590, 179450, 3, 3116, 3024, 2132, 233, 3778,0

3591, 179500, 3, 3083, 3058, 2170, 216, 3758,0
3592, 179550, 3, 3049, 3091, 2209, 199, 3736,0
3593, 179600, 4, 3016, 3124, 2247, 183, 3714,0
3594, 179650, 5, 2981, 3157, 2285, 167, 3691,0
3595, 179700, 8, 2947, 3189, 2324, 152, 3668,0
3596, 179750, 11, 2912, 3221, 2362, 138, 3644,0
3597, 179800, 14, 2877, 3252, 2400, 124, 3620,0
3598, 179850, 19, 2842, 3283, 2438, 112, 3595,0
3599, 179900, 24, 2806, 3314, 2475, 99, 3569,0
3600, 179950, 30, 2770, 3344, 2513, 88, 3543,0
3601, 180000, 36, 2734, 3373, 2550, 77, 3517,0
3602, 180050, 44, 2697, 3403, 2588, 67, 3490,0
3603, 180100, 52, 2661, 3431, 2625, 58, 3462,0
3604, 180150, 61, 2624, 3459, 2662, 49, 3434,0
3605, 180200, 70, 2587, 3487, 2698, 41, 3405,0
3606, 180250, 80, 2550, 3514, 2735, 34, 3376,0
3607, 180300, 91, 2512, 3541, 2771, 27, 3347,0
3608, 180350, 103, 2474, 3567, 2807, 21, 3317,0
3609, 180400, 115, 2437, 3592, 2842, 16, 3286,0
3610, 180450, 128, 2399, 3617, 2878, 12, 3255,0
3611, 180500, 142, 2361, 3642, 2913, 8, 3224,0
3612, 180550, 156, 2323, 3666, 2948, 5, 3192,0
3613, 180600, 171, 2284, 3689, 2982, 3, 3160,0

3614, 180650, 186, 2246, 3712, 3016, 1, 3128,0
3615, 180700, 203, 2208, 3734, 3050, 1, 3095,0
3616, 180750, 220, 2169, 3755, 3083, 0, 3062,0
3617, 180800, 237, 2131, 3776, 3116, 1, 3028,0
3618, 180850, 256, 2092, 3797, 3149, 3, 2994,0
3619, 180900, 274, 2054, 3816, 3181, 5, 2960,0
3620, 180950, 294, 2015, 3835, 3213, 7, 2925,0
3621, 181000, 314, 1976, 3854, 3245, 11, 2890,0
3622, 181050, 335, 1938, 3872, 3276, 15, 2855,0
3623, 181100, 356, 1899, 3889, 3306, 20, 2819,0
3624, 181150, 378, 1861, 3905, 3336, 26, 2784,0
3625, 181200, 401, 1823, 3921, 3366, 32, 2748,0
3626, 181250, 424, 1784, 3936, 3395, 40, 2711,0
3627, 181300, 448, 1746, 3951, 3424, 47, 2675,0
3628, 181350, 472, 1708, 3965, 3452, 56, 2638,0
3629, 181400, 497, 1670, 3978, 3480, 65, 2601,0
3630, 181450, 522, 1632, 3990, 3507, 75, 2564,0
3631, 181500, 548, 1595, 4002, 3534, 86, 2527,0
3632, 181550, 575, 1557, 4013, 3560, 97, 2489,0
3633, 181600, 602, 1520, 4023, 3586, 109, 2451,0
3634, 181650, 629, 1483, 4033, 3611, 122, 2414,0
3635, 181700, 657, 1446, 4042, 3636, 136, 2376,0
3636, 181750, 686, 1409, 4050, 3660, 150, 2338,0

3637, 181800, 715, 1372, 4058, 3683, 164, 2299,0
3638, 181850, 744, 1336, 4065, 3706, 180, 2261,0
3639, 181900, 774, 1300, 4071, 3728, 196, 2223,0
3640, 181950, 804, 1264, 4076, 3750, 213, 2185,0
3641, 182000, 835, 1229, 4081, 3771, 230, 2146,0
3642, 182050, 866, 1194, 4085, 3791, 248, 2108,0
3643, 182100, 898, 1159, 4088, 3811, 267, 2069,0
3644, 182150, 930, 1124, 4090, 3830, 286, 2031,0
3645, 182200, 963, 1090, 4092, 3849, 306, 1992,0
3646, 182250, 996, 1056, 4093, 3867, 327, 1954,0
3647, 182300, 1029, 1023, 4093, 3884, 348, 1915,0
3648, 182350, 1062, 989, 4093, 3900, 370, 1877,0
3649, 182400, 1096, 957, 4092, 3916, 392, 1839,0
3650, 182450, 1131, 924, 4090, 3932, 415, 1801,0
3651, 182500, 1165, 892, 4087, 3946, 439, 1763,0
3652, 182550, 1200, 861, 4084, 3960, 463, 1724,0
3653, 182600, 1235, 829, 4080, 3973, 487, 1687,0
3654, 182650, 1271, 799, 4075, 3986, 513, 1649,0
3655, 182700, 1307, 768, 4070, 3998, 538, 1611,0
3656, 182750, 1343, 738, 4064, 4009, 565, 1574,0
3657, 182800, 1379, 709, 4057, 4020, 591, 1536,0
3658, 182850, 1416, 680, 4049, 4029, 619, 1499,0
3659, 182900, 1453, 652, 4041, 4038, 647, 1462,0

3660, 182950, 1490, 624, 4032, 4047, 675, 1426,0
3661, 183000, 1527, 596, 4022, 4055, 704, 1389,0
3662, 183050, 1564, 570, 4012, 4061, 733, 1353,0
3663, 183100, 1602, 543, 4000, 4068, 763, 1317,0
3664, 183150, 1639, 517, 3989, 4073, 793, 1281,0
3665, 183200, 1677, 492, 3976, 4078, 824, 1246,0
3666, 183250, 1715, 467, 3963, 4082, 855, 1211,0
3667, 183300, 1753, 443, 3949, 4085, 886, 1176,0
3668, 183350, 1791, 419, 3934, 4088, 918, 1141,0
3669, 183400, 1830, 396, 3919, 4090, 951, 1107,0
3670, 183450, 1868, 374, 3903, 4091, 983, 1073,0
3671, 183500, 1907, 352, 3887, 4092, 1016, 1039,0
3672, 183550, 1945, 331, 3869, 4091, 1050, 1006,0
3673, 183600, 1984, 310, 3852, 4090, 1084, 973,0
3674, 183650, 2022, 290, 3833, 4089, 1118, 941,0
3675, 183700, 2061, 271, 3814, 4086, 1152, 909,0
3676, 183750, 2099, 252, 3794, 4083, 1187, 877,0
3677, 183800, 2138, 234, 3774, 4079, 1222, 846,0
3678, 183850, 2176, 216, 3753, 4074, 1258, 815,0
3679, 183900, 2215, 199, 3731, 4069, 1293, 785,0
3680, 183950, 2253, 183, 3709, 4063, 1329, 755,0
3681, 184000, 2291, 168, 3686, 4056, 1365, 726,0
3682, 184050, 2330, 153, 3663, 4049, 1402, 697,0

3683, 184100, 2368, 139, 3639, 4041, 1438, 668,0
3684, 184150, 2406, 125, 3614, 4032, 1475, 640,0
3685, 184200, 2444, 112, 3589, 4022, 1512, 613,0
3686, 184250, 2482, 100, 3564, 4012, 1550, 586,0
3687, 184300, 2519, 89, 3537, 4001, 1587, 559,0
3688, 184350, 2557, 78, 3511, 3989, 1625, 533,0
3689, 184400, 2594, 68, 3484, 3977, 1662, 508,0
3690, 184450, 2631, 59, 3456, 3964, 1700, 483,0
3691, 184500, 2668, 50, 3428, 3950, 1738, 459,0
3692, 184550, 2704, 42, 3399, 3935, 1776, 435,0
3693, 184600, 2741, 35, 3370, 3920, 1815, 412,0
3694, 184650, 2777, 28, 3340, 3904, 1853, 390,0
3695, 184700, 2813, 23, 3310, 3888, 1891, 368,0
3696, 184750, 2848, 18, 3279, 3871, 1930, 346,0
3697, 184800, 2884, 13, 3248, 3853, 1968, 326,0
3698, 184850, 2919, 10, 3217, 3835, 2007, 305,0
3699, 184900, 2954, 7, 3185, 3816, 2045, 286,0
3700, 184950, 2988, 5, 3153, 3796, 2084, 267,0
3701, 185000, 3022, 3, 3120, 3776, 2122, 249,0
3702, 185050, 3056, 2, 3087, 3755, 2161, 231,0
3703, 185100, 3089, 2, 3054, 3733, 2199, 214,0
3704, 185150, 3122, 3, 3020, 3711, 2237, 198,0
3705, 185200, 3155, 5, 2986, 3689, 2276, 182,0

3706, 185250, 3187, 7, 2951, 3665, 2314, 167,0
3707, 185300, 3219, 10, 2917, 3641, 2352, 153,0
3708, 185350, 3250, 13, 2882, 3617, 2390, 139,0
3709, 185400, 3281, 18, 2846, 3592, 2428, 126,0
3710, 185450, 3312, 23, 2811, 3567, 2465, 114,0
3711, 185500, 3342, 29, 2775, 3541, 2503, 102,0
3712, 185550, 3372, 35, 2739, 3514, 2540, 92,0
3713, 185600, 3401, 42, 2702, 3487, 2578, 81,0
3714, 185650, 3429, 50, 2666, 3459, 2615, 72,0
3715, 185700, 3458, 59, 2629, 3431, 2652, 63,0
3716, 185750, 3485, 68, 2592, 3402, 2688, 55,0
3717, 185800, 3512, 78, 2554, 3373, 2725, 48,0
3718, 185850, 3539, 89, 2517, 3344, 2761, 41,0
3719, 185900, 3565, 101, 2479, 3314, 2797, 35,0
3720, 185950, 3591, 113, 2441, 3283, 2832, 30,0
3721, 186000, 3616, 126, 2404, 3252, 2868, 25,0
3722, 186050, 3640, 139, 2366, 3221, 2903, 22,0
3723, 186100, 3664, 153, 2327, 3189, 2937, 19,0
3724, 186150, 3688, 168, 2289, 3157, 2972, 16,0
3725, 186200, 3710, 184, 2251, 3124, 3006, 15,0
3726, 186250, 3733, 200, 2212, 3092, 3040, 14,0
3727, 186300, 3754, 217, 2174, 3058, 3073, 13,0
3728, 186350, 3775, 234, 2135, 3025, 3106, 14,0

3729, 186400, 3795, 253, 2097, 2990, 3139, 15,0
3730, 186450, 3815, 271, 2058, 2956, 3171, 17,0
3731, 186500, 3834, 291, 2020, 2921, 3203, 20,0
3732, 186550, 3853, 311, 1981, 2886, 3235, 24,0
3733, 186600, 3871, 332, 1943, 2851, 3266, 28,0
3734, 186650, 3888, 353, 1904, 2816, 3296, 33,0
3735, 186700, 3904, 375, 1866, 2780, 3326, 38,0
3736, 186750, 3920, 397, 1827, 2744, 3356, 45,0
3737, 186800, 3935, 420, 1789, 2707, 3385, 52,0
3738, 186850, 3950, 444, 1751, 2671, 3414, 59,0
3739, 186900, 3964, 468, 1713, 2634, 3442, 68,0
3740, 186950, 3977, 493, 1675, 2597, 3470, 77,0
3741, 187000, 3990, 518, 1637, 2559, 3497, 87,0
3742, 187050, 4001, 544, 1599, 2522, 3524, 97,0
3743, 187100, 4012, 571, 1562, 2484, 3550, 109,0
3744, 187150, 4023, 597, 1524, 2447, 3576, 121,0
3745, 187200, 4033, 625, 1487, 2409, 3601, 133,0
3746, 187250, 4042, 653, 1450, 2371, 3626, 147,0
3747, 187300, 4050, 681, 1413, 2333, 3650, 161,0
3748, 187350, 4057, 710, 1377, 2295, 3673, 175,0
3749, 187400, 4064, 740, 1341, 2256, 3696, 191,0
3750, 187450, 4070, 770, 1305, 2218, 3718, 207,0
3751, 187500, 4076, 800, 1269, 2179, 3740, 223,0

3752, 187550, 4081, 831, 1233, 2141, 3761, 241,0
3753, 187600, 4085, 862, 1198, 2102, 3782, 259,0
3754, 187650, 4088, 893, 1163, 2064, 3802, 277,0
3755, 187700, 4090, 926, 1128, 2025, 3821, 296,0
3756, 187750, 4092, 958, 1094, 1987, 3839, 316,0
3757, 187800, 4093, 991, 1060, 1948, 3857, 337,0
3758, 187850, 4094, 1024, 1027, 1910, 3875, 358,0
3759, 187900, 4093, 1058, 993, 1871, 3891, 380,0
3760, 187950, 4092, 1091, 961, 1833, 3907, 402,0
3761, 188000, 4090, 1126, 928, 1795, 3923, 425,0
3762, 188050, 4088, 1160, 896, 1756, 3937, 448,0
3763, 188100, 4085, 1195, 864, 1718, 3951, 472,0
3764, 188150, 4081, 1230, 833, 1680, 3965, 497,0
3765, 188200, 4076, 1266, 802, 1642, 3977, 522,0
3766, 188250, 4071, 1302, 772, 1605, 3989, 548,0
3767, 188300, 4064, 1338, 742, 1567, 4001, 574,0
3768, 188350, 4058, 1374, 713, 1530, 4011, 601,0
3769, 188400, 4050, 1410, 684, 1492, 4021, 628,0
3770, 188450, 4042, 1447, 655, 1455, 4030, 656,0
3771, 188500, 4033, 1484, 627, 1419, 4039, 684,0
3772, 188550, 4023, 1521, 600, 1382, 4046, 713,0
3773, 188600, 4013, 1559, 573, 1346, 4054, 742,0
3774, 188650, 4001, 1596, 546, 1310, 4060, 771,0

3775, 188700, 3990, 1634, 520, 1274, 4065, 802,0
3776, 188750, 3977, 1672, 495, 1238, 4070, 832,0
3777, 188800, 3964, 1710, 470, 1203, 4075, 863,0
3778, 188850, 3950, 1748, 446, 1168, 4078, 895,0
3779, 188900, 3936, 1786, 422, 1133, 4081, 926,0
3780, 188950, 3920, 1824, 399, 1099, 4083, 959,0
3781, 189000, 3905, 1863, 376, 1065, 4084, 991,0
3782, 189050, 3888, 1901, 355, 1031, 4085, 1024,0
3783, 189100, 3871, 1940, 333, 998, 4084, 1058,0
3784, 189150, 3853, 1978, 312, 965, 4084, 1092,0
3785, 189200, 3835, 2017, 292, 932, 4082, 1126,0
3786, 189250, 3815, 2055, 273, 900, 4080, 1160,0
3787, 189300, 3796, 2094, 254, 869, 4077, 1195,0
3788, 189350, 3775, 2132, 236, 837, 4073, 1230,0
3789, 189400, 3754, 2171, 218, 806, 4068, 1265,0
3790, 189450, 3733, 2209, 201, 776, 4063, 1301,0
3791, 189500, 3711, 2248, 185, 746, 4057, 1337,0
3792, 189550, 3688, 2286, 169, 716, 4050, 1373,0
3793, 189600, 3665, 2324, 154, 687, 4043, 1409,0
3794, 189650, 3641, 2362, 140, 659, 4035, 1446,0
3795, 189700, 3616, 2401, 127, 631, 4026, 1483,0
3796, 189750, 3591, 2438, 114, 603, 4017, 1520,0
3797, 189800, 3566, 2476, 101, 576, 4006, 1557,0

3798, 189850, 3539, 2514, 90, 550, 3996, 1594,0
3799, 189900, 3513, 2551, 79, 523, 3984, 1632,0
3800, 189950, 3486, 2589, 69, 498, 3972, 1669,0
3801, 190000, 3458, 2626, 60, 473, 3959, 1707,0
3802, 190050, 3430, 2663, 51, 449, 3945, 1745,0
3803, 190100, 3401, 2699, 43, 425, 3931, 1783,0
3804, 190150, 3372, 2736, 36, 402, 3916, 1822,0
3805, 190200, 3342, 2772, 29, 379, 3900, 1860,0
3806, 190250, 3312, 2808, 23, 357, 3884, 1898,0
3807, 190300, 3282, 2844, 18, 336, 3867, 1936,0
3808, 190350, 3251, 2879, 14, 315, 3849, 1975,0
3809, 190400, 3219, 2914, 10, 295, 3831, 2013,0
3810, 190450, 3187, 2949, 7, 275, 3812, 2052,0
3811, 190500, 3155, 2983, 5, 256, 3792, 2090,0
3812, 190550, 3123, 3017, 3, 238, 3772, 2129,0
3813, 190600, 3090, 3051, 2, 220, 3751, 2167,0
3814, 190650, 3056, 3085, 2, 203, 3730, 2205,0
3815, 190700, 3022, 3118, 3, 187, 3708, 2244,0
3816, 190750, 2988, 3150, 4, 171, 3686, 2282,0
3817, 190800, 2954, 3183, 6, 156, 3662, 2320,0
3818, 190850, 2919, 3215, 9, 141, 3639, 2358,0
3819, 190900, 2884, 3246, 13, 128, 3614, 2396,0
3820, 190950, 2849, 3277, 17, 115, 3590, 2434,0

3821, 191000, 2813, 3308, 22, 102, 3564, 2472,0
3822, 191050, 2777, 3338, 28, 91, 3538, 2509,0
3823, 191100, 2741, 3368, 34, 80, 3512, 2547,0
3824, 191150, 2705, 3397, 41, 69, 3485, 2584,0
3825, 191200, 2668, 3426, 49, 60, 3457, 2621,0
3826, 191250, 2631, 3454, 58, 51, 3429, 2658,0
3827, 191300, 2594, 3482, 67, 43, 3401, 2695,0
3828, 191350, 2557, 3509, 77, 35, 3372, 2731,0
3829, 191400, 2519, 3536, 88, 29, 3342, 2767,0
3830, 191450, 2482, 3562, 99, 23, 3312, 2803,0
3831, 191500, 2444, 3587, 111, 17, 3282, 2839,0
3832, 191550, 2406, 3613, 124, 13, 3251, 2874,0
3833, 191600, 2368, 3637, 137, 9, 3220, 2909,0
3834, 191650, 2330, 3661, 151, 6, 3188, 2944,0
3835, 191700, 2292, 3685, 166, 3, 3156, 2978,0
3836, 191750, 2253, 3707, 182, 2, 3124, 3013,0
3837, 191800, 2215, 3730, 198, 1, 3091, 3046,0
3838, 191850, 2177, 3751, 215, 1, 3058, 3080,0
3839, 191900, 2138, 3772, 232, 1, 3024, 3113,0
3840, 191950, 2100, 3793, 250, 2, 2990, 3146,0
3841, 192000, 2061, 3813, 269, 4, 2956, 3178,0
3842, 192050, 2022, 3832, 288, 7, 2921, 3210,0
3843, 192100, 1984, 3850, 308, 11, 2887, 3241,0

3844, 192150, 1945, 3868, 329, 15, 2851, 3272,0
3845, 192200, 1907, 3886, 350, 20, 2816, 3303,0
3846, 192250, 1868, 3902, 372, 25, 2780, 3333,0
3847, 192300, 1830, 3918, 394, 31, 2744, 3363,0
3848, 192350, 1792, 3934, 417, 38, 2708, 3392,0
3849, 192400, 1753, 3948, 441, 46, 2671, 3421,0
3850, 192450, 1715, 3962, 465, 55, 2635, 3449,0
3851, 192500, 1677, 3975, 490, 64, 2598, 3477,0
3852, 192550, 1640, 3988, 515, 74, 2560, 3504,0
3853, 192600, 1602, 4000, 541, 84, 2523, 3531,0
3854, 192650, 1564, 4011, 567, 95, 2486, 3557,0
3855, 192700, 1527, 4022, 594, 107, 2448, 3583,0
3856, 192750, 1490, 4031, 621, 120, 2410, 3608,0
3857, 192800, 1453, 4041, 649, 133, 2372, 3633,0
3858, 192850, 1416, 4049, 678, 147, 2334, 3657,0
3859, 192900, 1379, 4057, 707, 162, 2296, 3681,0
3860, 192950, 1343, 4064, 736, 177, 2258, 3703,0
3861, 193000, 1307, 4070, 766, 193, 2220, 3726,0
3862, 193050, 1271, 4075, 796, 210, 2181, 3748,0
3863, 193100, 1236, 4080, 827, 227, 2143, 3769,0
3864, 193150, 1200, 4084, 858, 245, 2104, 3789,0
3865, 193200, 1165, 4088, 889, 264, 2066, 3809,0
3866, 193250, 1131, 4090, 921, 283, 2027, 3828,0

3867, 193300, 1096, 4092, 954, 303, 1989, 3847,0
3868, 193350, 1062, 4093, 987, 324, 1950, 3865,0
3869, 193400, 1029, 4094, 1020, 345, 1912, 3883,0
3870, 193450, 996, 4094, 1053, 366, 1874, 3899,0
3871, 193500, 963, 4093, 1087, 389, 1835, 3915,0
3872, 193550, 930, 4091, 1121, 412, 1797, 3931,0
3873, 193600, 898, 4089, 1156, 435, 1759, 3946,0
3874, 193650, 866, 4085, 1191, 459, 1721, 3960,0
3875, 193700, 835, 4082, 1226, 484, 1683, 3973,0
3876, 193750, 804, 4077, 1261, 509, 1645, 3986,0
3877, 193800, 774, 4072, 1297, 535, 1607, 3998,0
3878, 193850, 744, 4066, 1333, 561, 1570, 4009,0
3879, 193900, 714, 4059, 1369, 588, 1532, 4020,0
3880, 193950, 685, 4051, 1406, 615, 1495, 4030,0
3881, 194000, 657, 4043, 1443, 643, 1458, 4039,0
3882, 194050, 629, 4034, 1480, 671, 1422, 4048,0
3883, 194100, 601, 4025, 1517, 700, 1385, 4055,0
3884, 194150, 574, 4014, 1554, 729, 1349, 4062,0
3885, 194200, 548, 4003, 1592, 759, 1313, 4069,0
3886, 194250, 522, 3992, 1629, 789, 1277, 4075,0
3887, 194300, 496, 3979, 1667, 820, 1241, 4080,0
3888, 194350, 472, 3966, 1705, 851, 1206, 4084,0
3889, 194400, 447, 3952, 1743, 882, 1171, 4087,0

3890, 194450, 424, 3938, 1781, 914, 1136, 4090,0
3891, 194500, 400, 3923, 1820, 946, 1102, 4092,0
3892, 194550, 378, 3907, 1858, 979, 1068, 4094,0
3893, 194600, 356, 3891, 1896, 1012, 1034, 4094,0
3894, 194650, 334, 3874, 1935, 1046, 1001, 4094,0
3895, 194700, 314, 3856, 1973, 1079, 968, 4093,0
3896, 194750, 294, 3837, 2012, 1114, 936, 4092,0
3897, 194800, 274, 3818, 2051, 1148, 904, 4090,0
3898, 194850, 255, 3799, 2089, 1183, 872, 4087,0
3899, 194900, 237, 3778, 2128, 1218, 840, 4083,0
3900, 194950, 219, 3758, 2166, 1253, 810, 4078,0
3901, 195000, 202, 3736, 2205, 1289, 779, 4073,0
3902, 195050, 186, 3714, 2243, 1325, 749, 4067,0
3903, 195100, 170, 3691, 2281, 1361, 720, 4061,0
3904, 195150, 155, 3668, 2320, 1398, 690, 4054,0
3905, 195200, 141, 3644, 2358, 1434, 662, 4046,0
3906, 195250, 127, 3620, 2396, 1471, 634, 4037,0
3907, 195300, 114, 3595, 2434, 1508, 606, 4027,0
3908, 195350, 102, 3569, 2472, 1546, 579, 4017,0
3909, 195400, 91, 3543, 2509, 1583, 553, 4006,0
3910, 195450, 80, 3517, 2547, 1621, 526, 3995,0
3911, 195500, 69, 3490, 2584, 1659, 501, 3983,0
3912, 195550, 60, 3462, 2621, 1697, 476, 3970,0

3913, 195600, 51, 3434, 2658, 1735, 452, 3956,0
3914, 195650, 43, 3405, 2695, 1773, 428, 3942,0
3915, 195700, 36, 3376, 2731, 1811, 405, 3927,0
3916, 195750, 29, 3347, 2768, 1849, 382, 3912,0
3917, 195800, 23, 3317, 2804, 1888, 360, 3895,0
3918, 195850, 18, 3286, 2839, 1926, 338, 3878,0
3919, 195900, 14, 3255, 2875, 1965, 317, 3861,0
3920, 195950, 10, 3224, 2910, 2003, 297, 3843,0
3921, 196000, 7, 3192, 2945, 2042, 277, 3824,0
3922, 196050, 4, 3160, 2979, 2080, 258, 3804,0
3923, 196100, 3, 3127, 3013, 2119, 240, 3784,0
3924, 196150, 2, 3094, 3047, 2158, 222, 3764,0
3925, 196200, 2, 3061, 3081, 2196, 205, 3742,0
3926, 196250, 3, 3027, 3114, 2234, 189, 3720,0
3927, 196300, 4, 2993, 3146, 2273, 173, 3698,0
3928, 196350, 6, 2959, 3179, 2311, 158, 3675,0
3929, 196400, 9, 2924, 3211, 2349, 143, 3651,0
3930, 196450, 12, 2889, 3242, 2387, 130, 3627,0
3931, 196500, 16, 2854, 3273, 2425, 116, 3602,0
3932, 196550, 21, 2818, 3304, 2463, 104, 3577,0
3933, 196600, 27, 2782, 3334, 2501, 92, 3551,0
3934, 196650, 33, 2746, 3364, 2538, 81, 3525,0
3935, 196700, 41, 2710, 3393, 2576, 71, 3498,0

3936, 196750, 48, 2673, 3422, 2613, 61, 3470,0
3937, 196800, 57, 2636, 3451, 2650, 52, 3442,0
3938, 196850, 66, 2599, 3478, 2687, 44, 3414,0
3939, 196900, 76, 2562, 3506, 2723, 37, 3385,0
3940, 196950, 87, 2525, 3532, 2759, 30, 3356,0
3941, 197000, 98, 2487, 3559, 2795, 24, 3326,0
3942, 197050, 110, 2449, 3585, 2831, 18, 3295,0
3943, 197100, 123, 2412, 3610, 2867, 14, 3265,0
3944, 197150, 136, 2374, 3634, 2902, 10, 3234,0
3945, 197200, 150, 2335, 3658, 2937, 7, 3202,0
3946, 197250, 165, 2297, 3682, 2971, 4, 3170,0
3947, 197300, 180, 2259, 3705, 3006, 2, 3138,0
3948, 197350, 196, 2220, 3727, 3039, 1, 3105,0
3949, 197400, 213, 2182, 3749, 3073, 1, 3072,0
3950, 197450, 231, 2143, 3770, 3106, 1, 3038,0
3951, 197500, 249, 2105, 3791, 3139, 3, 3004,0
3952, 197550, 267, 2066, 3811, 3171, 4, 2970,0
3953, 197600, 287, 2028, 3830, 3203, 7, 2935,0
3954, 197650, 307, 1989, 3848, 3235, 10, 2901,0
3955, 197700, 327, 1951, 3866, 3266, 14, 2865,0
3956, 197750, 348, 1912, 3884, 3297, 19, 2830,0
3957, 197800, 370, 1874, 3901, 3327, 25, 2794,0
3958, 197850, 393, 1835, 3917, 3357, 31, 2758,0

3959, 197900, 415, 1797, 3932, 3386, 38, 2722,0
3960, 197950, 439, 1759, 3947, 3415, 45, 2686,0
3961, 198000, 463, 1721, 3961, 3444, 54, 2649,0
3962, 198050, 488, 1683, 3974, 3472, 63, 2612,0
3963, 198100, 513, 1645, 3987, 3499, 72, 2575,0
3964, 198150, 539, 1607, 3999, 3526, 83, 2538,0
3965, 198200, 565, 1569, 4010, 3552, 94, 2500,0
3966, 198250, 592, 1532, 4021, 3578, 106, 2462,0
3967, 198300, 619, 1495, 4031, 3603, 118, 2425,0
3968, 198350, 647, 1458, 4040, 3628, 132, 2387,0
3969, 198400, 676, 1421, 4048, 3652, 146, 2349,0
3970, 198450, 704, 1384, 4056, 3676, 160, 2311,0
3971, 198500, 734, 1348, 4063, 3699, 175, 2272,0
3972, 198550, 763, 1312, 4069, 3722, 191, 2234,0
3973, 198600, 794, 1276, 4075, 3743, 208, 2196,0
3974, 198650, 824, 1240, 4080, 3765, 225, 2157,0
3975, 198700, 856, 1205, 4084, 3785, 243, 2119,0
3976, 198750, 887, 1170, 4088, 3805, 261, 2080,0
3977, 198800, 919, 1135, 4090, 3825, 280, 2042,0
3978, 198850, 951, 1101, 4092, 3843, 300, 2004,0
3979, 198900, 984, 1067, 4094, 3862, 321, 1965,0
3980, 198950, 1017, 1033, 4094, 3879, 341, 1927,0
3981, 199000, 1051, 1000, 4094, 3896, 363, 1888,0

3982, 199050, 1085, 967, 4093, 3912, 385, 1850,0
3983, 199100, 1119, 935, 4092, 3928, 408, 1812,0
3984, 199150, 1153, 902, 4089, 3942, 431, 1774,0
3985, 199200, 1188, 871, 4086, 3957, 455, 1735,0
3986, 199250, 1223, 839, 4082, 3970, 480, 1698,0
3987, 199300, 1259, 808, 4078, 3983, 505, 1660,0
3988, 199350, 1295, 778, 4073, 3995, 530, 1622,0
3989, 199400, 1331, 748, 4067, 4006, 557, 1584,0
3990, 199450, 1367, 718, 4060, 4017, 583, 1547,0
3991, 199500, 1403, 689, 4053, 4027, 610, 1510,0
3992, 199550, 1440, 661, 4044, 4037, 638, 1473,0
3993, 199600, 1477, 633, 4036, 4045, 666, 1436,0
3994, 199650, 1514, 605, 4026, 4053, 695, 1400,0
3995, 199700, 1551, 578, 4016, 4060, 724, 1363,0
3996, 199750, 1589, 551, 4005, 4067, 754, 1327,0
3997, 199800, 1627, 525, 3993, 4072, 784, 1291,0
3998, 199850, 1664, 500, 3981, 4078, 814, 1256,0
3999, 199900, 1702, 475, 3968, 4082, 845, 1220,0
4000, 199950, 1740, 450, 3954, 4085, 877, 1185,0
4001, 200000, 1779, 427, 3940, 4088, 908, 1151,0
4002, 200050, 1817, 403, 3925, 4090, 941, 1116,0
4003, 200100, 1855, 381, 3909, 4092, 973, 1082,0
4004, 200150, 1894, 359, 3893, 4093, 1006, 1049,0

4005, 200200, 1932, 337, 3876, 4093, 1040, 1015,0
4006, 200250, 1971, 316, 3858, 4092, 1073, 982,0
4007, 200300, 2009, 296, 3840, 4090, 1107, 950,0
4008, 200350, 2048, 276, 3821, 4088, 1142, 918,0
4009, 200400, 2086, 257, 3801, 4085, 1176, 886,0
4010, 200450, 2125, 239, 3781, 4081, 1211, 854,0
4011, 200500, 2163, 221, 3760, 4077, 1247, 824,0
4012, 200550, 2202, 204, 3739, 4072, 1282, 793,0
4013, 200600, 2240, 188, 3717, 4066, 1318, 763,0
4014, 200650, 2279, 172, 3694, 4060, 1354, 733,0
4015, 200700, 2317, 157, 3671, 4052, 1391, 704,0
4016, 200750, 2355, 143, 3647, 4044, 1427, 676,0
4017, 200800, 2393, 129, 3623, 4036, 1464, 647,0
4018, 200850, 2431, 116, 3598, 4026, 1501, 620,0
4019, 200900, 2469, 104, 3573, 4016, 1538, 593,0
4020, 200950, 2507, 92, 3547, 4005, 1576, 566,0
4021, 201000, 2544, 81, 3520, 3994, 1613, 540,0
4022, 201050, 2582, 71, 3493, 3982, 1651, 514,0
4023, 201100, 2619, 61, 3466, 3969, 1689, 489,0
4024, 201150, 2656, 52, 3438, 3955, 1727, 465,0
4025, 201200, 2692, 44, 3409, 3941, 1765, 441,0
4026, 201250, 2729, 37, 3380, 3926, 1803, 418,0
4027, 201300, 2765, 30, 3350, 3911, 1841, 395,0

4028, 201350, 2801, 24, 3320, 3894, 1880, 373,0
4029, 201400, 2837, 18, 3290, 3878, 1918, 351,0
4030, 201450, 2872, 14, 3259, 3860, 1957, 330,0
4031, 201500, 2907, 10, 3228, 3842, 1995, 310,0
4032, 201550, 2942, 7, 3196, 3823, 2034, 290,0
4033, 201600, 2977, 4, 3164, 3804, 2072, 271,0
4034, 201650, 3011, 3, 3131, 3783, 2111, 253,0
4035, 201700, 3045, 2, 3099, 3763, 2149, 235,0
4036, 201750, 3078, 2, 3065, 3741, 2188, 218,0
4037, 201800, 3112, 2, 3032, 3720, 2226, 201,0
4038, 201850, 3144, 3, 2998, 3697, 2264, 185,0
4039, 201900, 3177, 5, 2963, 3674, 2302, 170,0
4040, 201950, 3209, 8, 2929, 3650, 2341, 155,0
4041, 202000, 3240, 11, 2894, 3626, 2379, 142,0
4042, 202050, 3271, 16, 2858, 3601, 2417, 128,0
4043, 202100, 3302, 20, 2823, 3576, 2454, 116,0
4044, 202150, 3332, 26, 2787, 3550, 2492, 104,0
4045, 202200, 3362, 32, 2751, 3524, 2529, 93,0
4046, 202250, 3391, 39, 2715, 3497, 2567, 82,0
4047, 202300, 3420, 47, 2678, 3469, 2604, 73,0
4048, 202350, 3449, 55, 2641, 3441, 2641, 64,0
4049, 202400, 3477, 64, 2604, 3413, 2678, 55,0
4050, 202450, 3504, 74, 2567, 3384, 2714, 48,0

4051, 202500, 3531, 85, 2530, 3354, 2750, 41,0
4052, 202550, 3557, 96, 2492, 3325, 2786, 35,0
4053, 202600, 3583, 108, 2454, 3294, 2822, 29,0
4054, 202650, 3608, 121, 2416, 3263, 2857, 24,0
4055, 202700, 3633, 134, 2378, 3232, 2893, 20,0
4056, 202750, 3657, 148, 2340, 3201, 2928, 17,0
4057, 202800, 3680, 163, 2302, 3168, 2962, 15,0
4058, 202850, 3703, 178, 2264, 3136, 2996, 13,0
4059, 202900, 3726, 194, 2225, 3103, 3030, 12,0
4060, 202950, 3748, 211, 2187, 3070, 3064, 11,0
4061, 203000, 3769, 228, 2148, 3036, 3097, 11,0
4062, 203050, 3789, 246, 2110, 3002, 3130, 13,0
4063, 203100, 3809, 264, 2071, 2968, 3162, 14,0
4064, 203150, 3829, 284, 2033, 2934, 3194, 17,0
4065, 203200, 3847, 304, 1994, 2899, 3226, 20,0
4066, 203250, 3865, 324, 1956, 2863, 3257, 24,0
4067, 203300, 3883, 345, 1917, 2828, 3288, 29,0
4068, 203350, 3900, 367, 1879, 2792, 3318, 34,0
4069, 203400, 3916, 389, 1840, 2756, 3348, 40,0
4070, 203450, 3931, 412, 1802, 2720, 3377, 47,0
4071, 203500, 3946, 435, 1764, 2683, 3406, 54,0
4072, 203550, 3960, 459, 1725, 2647, 3435, 63,0
4073, 203600, 3973, 484, 1687, 2610, 3463, 72,0

4074, 203650, 3986, 509, 1649, 2572, 3490, 81,0
4075, 203700, 3998, 535, 1612, 2535, 3517, 92,0
4076, 203750, 4009, 561, 1574, 2497, 3543, 103,0
4077, 203800, 4020, 588, 1537, 2460, 3569, 114,0
4078, 203850, 4030, 615, 1499, 2422, 3595, 127,0
4079, 203900, 4039, 643, 1462, 2384, 3619, 140,0
4080, 203950, 4048, 671, 1425, 2346, 3644, 154,0
4081, 204000, 4056, 700, 1389, 2308, 3667, 168,0
4082, 204050, 4063, 729, 1352, 2269, 3690, 183,0
4083, 204100, 4069, 759, 1316, 2231, 3713, 199,0
4084, 204150, 4075, 789, 1280, 2193, 3735, 216,0
4085, 204200, 4080, 820, 1245, 2154, 3756, 233,0
4086, 204250, 4084, 851, 1209, 2116, 3777, 250,0
4087, 204300, 4088, 882, 1174, 2077, 3797, 269,0
4088, 204350, 4090, 914, 1140, 2038, 3816, 288,0
4089, 204400, 4092, 947, 1105, 2000, 3835, 307,0
4090, 204450, 4094, 979, 1071, 1961, 3853, 328,0
4091, 204500, 4094, 1013, 1037, 1923, 3871, 349,0
4092, 204550, 4094, 1046, 1004, 1884, 3888, 370,0
4093, 204600, 4093, 1080, 971, 1846, 3904, 392,0
4094, 204650, 4092, 1114, 939, 1808, 3920, 415,0
4095, 204700, 4090, 1148, 906, 1769, 3934, 438,0
4096, 204750, 4087, 1183, 874, 1731, 3949, 462,0

4097, 204800, 4083, 1218, 843, 1693, 3962, 486,0
4098, 204850, 4078, 1254, 812, 1655, 3975, 511,0
4099, 204900, 4073, 1289, 782, 1617, 3987, 537,0
4100, 204950, 4067, 1325, 752, 1580, 3999, 563,0
4101, 205000, 4061, 1362, 722, 1542, 4010, 589,0
4102, 205050, 4053, 1398, 693, 1505, 4020, 617,0
4103, 205100, 4045, 1435, 664, 1468, 4029, 644,0
4104, 205150, 4036, 1472, 636, 1431, 4038, 672,0
4105, 205200, 4027, 1509, 608, 1394, 4046, 701,0
4106, 205250, 4017, 1546, 581, 1358, 4053, 730,0
4107, 205300, 4006, 1584, 554, 1322, 4060, 759,0
4108, 205350, 3994, 1621, 528, 1286, 4066, 789,0
4109, 205400, 3982, 1659, 503, 1250, 4071, 820,0
4110, 205450, 3969, 1697, 478, 1215, 4075, 851,0
4111, 205500, 3955, 1735, 453, 1180, 4079, 882,0
4112, 205550, 3941, 1773, 429, 1145, 4082, 914,0
4113, 205600, 3926, 1811, 406, 1110, 4084, 946,0
4114, 205650, 3911, 1850, 383, 1076, 4086, 979,0
4115, 205700, 3894, 1888, 361, 1042, 4086, 1011,0
4116, 205750, 3877, 1927, 340, 1009, 4087, 1045,0
4117, 205800, 3860, 1965, 319, 976, 4086, 1078,0
4118, 205850, 3841, 2004, 298, 943, 4085, 1112,0
4119, 205900, 3822, 2042, 279, 911, 4082, 1147,0

4120, 205950, 3803, 2081, 260, 879, 4080, 1181,0
4121, 206000, 3783, 2120, 241, 848, 4076, 1216,0
4122, 206050, 3762, 2158, 223, 817, 4072, 1251,0
4123, 206100, 3741, 2197, 206, 786, 4067, 1287,0
4124, 206150, 3719, 2235, 190, 756, 4061, 1323,0
4125, 206200, 3696, 2273, 174, 726, 4055, 1359,0
4126, 206250, 3673, 2312, 159, 697, 4047, 1395,0
4127, 206300, 3649, 2350, 144, 668, 4040, 1432,0
4128, 206350, 3625, 2388, 130, 640, 4031, 1468,0
4129, 206400, 3600, 2426, 117, 612, 4022, 1505,0
4130, 206450, 3575, 2464, 105, 585, 4012, 1543,0
4131, 206500, 3549, 2501, 93, 558, 4001, 1580,0
4132, 206550, 3522, 2539, 82, 532, 3990, 1617,0
4133, 206600, 3495, 2576, 72, 506, 3978, 1655,0
4134, 206650, 3468, 2614, 62, 481, 3965, 1693,0
4135, 206700, 3440, 2651, 53, 457, 3952, 1731,0
4136, 206750, 3411, 2687, 45, 433, 3937, 1769,0
4137, 206800, 3382, 2724, 37, 409, 3923, 1807,0
4138, 206850, 3353, 2760, 30, 386, 3907, 1845,0
4139, 206900, 3323, 2796, 24, 364, 3891, 1884,0
4140, 206950, 3292, 2832, 19, 342, 3874, 1922,0
4141, 207000, 3261, 2867, 14, 321, 3857, 1960,0
4142, 207050, 3230, 2903, 10, 301, 3839, 1999,0

4143, 207100, 3198, 2938, 7, 281, 3820, 2037,0
4144, 207150, 3166, 2972, 5, 262, 3801, 2076,0
4145, 207200, 3134, 3006, 3, 243, 3781, 2114,0
4146, 207250, 3101, 3040, 2, 225, 3760, 2153,0
4147, 207300, 3068, 3074, 1, 208, 3739, 2191,0
4148, 207350, 3034, 3107, 2, 192, 3717, 2230,0
4149, 207400, 3000, 3140, 3, 176, 3695, 2268,0
4150, 207450, 2966, 3172, 5, 160, 3672, 2306,0
4151, 207500, 2931, 3204, 7, 146, 3649, 2344,0
4152, 207550, 2896, 3236, 11, 132, 3624, 2382,0
4153, 207600, 2861, 3267, 15, 119, 3600, 2420,0
4154, 207650, 2825, 3298, 20, 106, 3574, 2458,0
4155, 207700, 2790, 3328, 25, 94, 3549, 2496,0
4156, 207750, 2753, 3358, 31, 83, 3522, 2533,0
4157, 207800, 2717, 3387, 38, 72, 3496, 2570,0
4158, 207850, 2681, 3416, 46, 63, 3468, 2607,0
4159, 207900, 2644, 3445, 54, 53, 3440, 2644,0
4160, 207950, 2607, 3473, 63, 45, 3412, 2681,0
4161, 208000, 2570, 3500, 73, 37, 3383, 2718,0
4162, 208050, 2532, 3527, 83, 30, 3354, 2754,0
4163, 208100, 2495, 3554, 95, 24, 3324, 2790,0
4164, 208150, 2457, 3579, 106, 19, 3294, 2826,0
4165, 208200, 2419, 3605, 119, 14, 3263, 2861,0

4166, 208250, 2381, 3629, 132, 10, 3232, 2896,0
4167, 208300, 2343, 3654, 146, 6, 3201, 2931,0
4168, 208350, 2305, 3677, 161, 4, 3169, 2966,0
4169, 208400, 2266, 3700, 176, 2, 3136, 3000,0
4170, 208450, 2228, 3723, 192, 1, 3104, 3034,0
4171, 208500, 2189, 3745, 208, 0, 3071, 3067,0
4172, 208550, 2151, 3766, 226, 1, 3037, 3101,0
4173, 208600, 2112, 3787, 244, 2, 3003, 3133,0
4174, 208650, 2074, 3807, 262, 3, 2969, 3166,0
4175, 208700, 2035, 3826, 281, 6, 2935, 3198,0
4176, 208750, 1997, 3845, 301, 9, 2900, 3230,0
4177, 208800, 1958, 3863, 321, 13, 2865, 3261,0
4178, 208850, 1920, 3881, 342, 17, 2829, 3292,0
4179, 208900, 1881, 3897, 364, 23, 2794, 3322,0
4180, 208950, 1843, 3914, 386, 29, 2758, 3352,0
4181, 209000, 1804, 3929, 409, 36, 2721, 3381,0
4182, 209050, 1766, 3944, 432, 43, 2685, 3410,0
4183, 209100, 1728, 3958, 456, 51, 2648, 3439,0
4184, 209150, 1690, 3972, 481, 60, 2611, 3467,0
4185, 209200, 1652, 3984, 506, 70, 2574, 3494,0
4186, 209250, 1614, 3997, 532, 80, 2537, 3521,0
4187, 209300, 1577, 4008, 558, 91, 2500, 3548,0
4188, 209350, 1539, 4019, 585, 103, 2462, 3574,0

4189, 209400, 1502, 4029, 612, 115, 2424, 3599,0
4190, 209450, 1465, 4038, 639, 129, 2386, 3624,0
4191, 209500, 1428, 4047, 668, 142, 2348, 3648,0
4192, 209550, 1391, 4055, 696, 157, 2310, 3672,0
4193, 209600, 1355, 4062, 726, 172, 2272, 3695,0
4194, 209650, 1319, 4068, 755, 188, 2234, 3717,0
4195, 209700, 1283, 4074, 785, 204, 2195, 3739,0
4196, 209750, 1247, 4079, 816, 221, 2157, 3761,0
4197, 209800, 1212, 4084, 847, 239, 2118, 3781,0
4198, 209850, 1177, 4087, 879, 257, 2080, 3802,0
4199, 209900, 1142, 4090, 910, 276, 2042, 3821,0
4200, 209950, 1108, 4092, 943, 296, 2003, 3840,0
4201, 210000, 1073, 4094, 975, 316, 1965, 3858,0
4202, 210050, 1040, 4094, 1008, 337, 1926, 3876,0
4203, 210100, 1006, 4094, 1042, 359, 1888, 3893,0
4204, 210150, 973, 4094, 1076, 381, 1849, 3909,0
4205, 210200, 941, 4092, 1110, 404, 1811, 3925,0
4206, 210250, 908, 4090, 1144, 427, 1773, 3940,0
4207, 210300, 877, 4087, 1179, 451, 1735, 3954,0
4208, 210350, 845, 4084, 1214, 475, 1697, 3968,0
4209, 210400, 814, 4079, 1249, 500, 1659, 3981,0
4210, 210450, 784, 4074, 1285, 526, 1621, 3993,0
4211, 210500, 753, 4068, 1321, 552, 1583, 4004,0

4212, 210550, 724, 4062, 1357, 578, 1546, 4015,0
4213, 210600, 695, 4054, 1394, 606, 1509, 4026,0
4214, 210650, 666, 4047, 1430, 633, 1472, 4035,0
4215, 210700, 638, 4038, 1467, 661, 1435, 4044,0
4216, 210750, 610, 4028, 1504, 690, 1398, 4052,0
4217, 210800, 583, 4018, 1541, 719, 1362, 4059,0
4218, 210850, 556, 4008, 1579, 749, 1326, 4066,0
4219, 210900, 530, 3996, 1617, 779, 1290, 4072,0
4220, 210950, 504, 3984, 1654, 809, 1254, 4077,0
4221, 211000, 479, 3971, 1692, 840, 1219, 4082,0
4222, 211050, 455, 3958, 1730, 871, 1184, 4085,0
4223, 211100, 431, 3943, 1768, 903, 1149, 4088,0
4224, 211150, 408, 3928, 1807, 935, 1114, 4091,0
4225, 211200, 385, 3913, 1845, 968, 1080, 4092,0
4226, 211250, 363, 3897, 1884, 1001, 1047, 4093,0
4227, 211300, 341, 3880, 1922, 1034, 1013, 4093,0
4228, 211350, 320, 3862, 1961, 1068, 980, 4093,0
4229, 211400, 300, 3844, 1999, 1102, 947, 4091,0
4230, 211450, 280, 3825, 2038, 1136, 915, 4089,0
4231, 211500, 261, 3806, 2076, 1171, 883, 4087,0
4232, 211550, 242, 3786, 2115, 1206, 852, 4083,0
4233, 211600, 224, 3765, 2153, 1242, 821, 4079,0
4234, 211650, 207, 3744, 2192, 1277, 790, 4074,0

4235, 211700, 191, 3722, 2230, 1313, 760, 4069,0
4236, 211750, 175, 3699, 2269, 1349, 730, 4062,0
4237, 211800, 160, 3676, 2307, 1386, 701, 4055,0
4238, 211850, 145, 3653, 2345, 1422, 672, 4047,0
4239, 211900, 131, 3628, 2383, 1459, 644, 4039,0
4240, 211950, 118, 3604, 2421, 1496, 616, 4030,0
4241, 212000, 106, 3578, 2459, 1533, 589, 4020,0
4242, 212050, 94, 3552, 2497, 1571, 562, 4009,0
4243, 212100, 83, 3526, 2534, 1608, 536, 3998,0
4244, 212150, 72, 3499, 2572, 1646, 510, 3986,0
4245, 212200, 62, 3472, 2609, 1684, 485, 3973,0
4246, 212250, 53, 3444, 2646, 1722, 461, 3960,0
4247, 212300, 45, 3415, 2683, 1760, 437, 3946,0
4248, 212350, 38, 3386, 2719, 1798, 413, 3931,0
4249, 212400, 31, 3357, 2756, 1837, 390, 3916,0
4250, 212450, 25, 3327, 2792, 1875, 368, 3900,0
4251, 212500, 19, 3297, 2828, 1914, 346, 3883,0
4252, 212550, 14, 3266, 2863, 1952, 325, 3866,0
4253, 212600, 10, 3235, 2898, 1991, 305, 3848,0
4254, 212650, 7, 3203, 2933, 2029, 285, 3829,0
4255, 212700, 5, 3171, 2968, 2068, 265, 3810,0
4256, 212750, 3, 3138, 3002, 2106, 247, 3790,0
4257, 212800, 2, 3106, 3036, 2145, 229, 3770,0

4258, 212850, 1, 3072, 3070, 2183, 212, 3748,0
4259, 212900, 2, 3039, 3103, 2222, 195, 3727,0
4260, 212950, 3, 3005, 3136, 2260, 179, 3704,0
4261, 213000, 5, 2971, 3168, 2299, 164, 3682,0
4262, 213050, 7, 2936, 3201, 2337, 149, 3658,0
4263, 213100, 10, 2901, 3232, 2375, 135, 3634,0
4264, 213150, 14, 2866, 3263, 2413, 122, 3609,0
4265, 213200, 19, 2830, 3294, 2451, 109, 3584,0
4266, 213250, 24, 2795, 3325, 2489, 97, 3559,0
4267, 213300, 31, 2759, 3355, 2526, 86, 3532,0
4268, 213350, 38, 2722, 3384, 2564, 75, 3506,0
4269, 213400, 45, 2686, 3413, 2601, 65, 3478,0
4270, 213450, 53, 2649, 3442, 2638, 56, 3451,0
4271, 213500, 62, 2612, 3470, 2675, 48, 3422,0
4272, 213550, 72, 2575, 3497, 2711, 40, 3394,0
4273, 213600, 83, 2537, 3524, 2748, 33, 3364,0
4274, 213650, 94, 2500, 3550, 2784, 26, 3335,0
4275, 213700, 105, 2462, 3576, 2820, 21, 3304,0
4276, 213750, 118, 2424, 3602, 2855, 16, 3274,0
4277, 213800, 131, 2386, 3627, 2891, 12, 3243,0
4278, 213850, 145, 2348, 3651, 2926, 8, 3211,0
4279, 213900, 159, 2310, 3675, 2960, 6, 3179,0
4280, 213950, 175, 2272, 3698, 2995, 4, 3147,0

4281, 214000, 191, 2233, 3720, 3029, 2, 3114,0
4282, 214050, 207, 2195, 3742, 3062, 2, 3081,0
4283, 214100, 224, 2156, 3764, 3096, 2, 3048,0
4284, 214150, 242, 2118, 3784, 3129, 3, 3014,0
4285, 214200, 261, 2079, 3804, 3161, 4, 2980,0
4286, 214250, 280, 2041, 3824, 3193, 7, 2946,0
4287, 214300, 299, 2002, 3843, 3225, 10, 2911,0
4288, 214350, 320, 1964, 3861, 3256, 14, 2876,0
4289, 214400, 341, 1925, 3879, 3287, 18, 2841,0
4290, 214450, 362, 1887, 3896, 3318, 23, 2805,0
4291, 214500, 385, 1848, 3912, 3348, 29, 2769,0
4292, 214550, 407, 1810, 3927, 3377, 36, 2733,0
4293, 214600, 431, 1771, 3942, 3406, 43, 2696,0
4294, 214650, 455, 1733, 3957, 3435, 52, 2660,0
4295, 214700, 479, 1695, 3970, 3463, 60, 2623,0
4296, 214750, 504, 1657, 3983, 3491, 70, 2586,0
4297, 214800, 530, 1619, 3995, 3518, 80, 2549,0
4298, 214850, 556, 1582, 4007, 3544, 91, 2511,0
4299, 214900, 583, 1544, 4018, 3570, 103, 2474,0
4300, 214950, 610, 1507, 4028, 3596, 115, 2436,0
4301, 215000, 637, 1470, 4037, 3621, 128, 2398,0
4302, 215050, 666, 1433, 4046, 3645, 142, 2360,0
4303, 215100, 694, 1396, 4054, 3669, 156, 2322,0

4304, 215150, 723, 1360, 4061, 3692, 171, 2284,0
4305, 215200, 753, 1324, 4068, 3715, 187, 2245,0
4306, 215250, 783, 1288, 4074, 3737, 203, 2207,0
4307, 215300, 814, 1252, 4079, 3758, 220, 2169,0
4308, 215350, 845, 1217, 4083, 3779, 238, 2130,0
4309, 215400, 876, 1182, 4087, 3799, 256, 2092,0
4310, 215450, 908, 1147, 4090, 3819, 275, 2053,0
4311, 215500, 940, 1112, 4092, 3838, 294, 2015,0
4312, 215550, 973, 1078, 4094, 3856, 314, 1976,0
4313, 215600, 1006, 1044, 4095, 3874, 335, 1938,0
4314, 215650, 1039, 1011, 4095, 3891, 357, 1900,0
4315, 215700, 1073, 978, 4094, 3907, 379, 1861,0
4316, 215750, 1107, 945, 4093, 3923, 401, 1823,0
4317, 215800, 1142, 913, 4091, 3938, 424, 1785,0
4318, 215850, 1176, 881, 4088, 3953, 448, 1747,0
4319, 215900, 1211, 849, 4084, 3966, 472, 1709,0
4320, 215950, 1247, 818, 4080, 3979, 497, 1671,0
4321, 216000, 1282, 788, 4075, 3992, 523, 1633,0
4322, 216050, 1318, 758, 4069, 4003, 549, 1595,0
4323, 216100, 1355, 728, 4063, 4014, 575, 1558,0
4324, 216150, 1391, 699, 4056, 4025, 602, 1521,0
4325, 216200, 1428, 670, 4048, 4034, 630, 1484,0
4326, 216250, 1464, 642, 4039, 4043, 658, 1447,0

4327, 216300, 1502, 614, 4030, 4051, 686, 1410,0
4328, 216350, 1539, 586, 4020, 4059, 715, 1374,0
4329, 216400, 1576, 560, 4009, 4065, 745, 1337,0
4330, 216450, 1614, 533, 3998, 4071, 775, 1302,0
4331, 216500, 1652, 508, 3986, 4077, 805, 1266,0
4332, 216550, 1690, 483, 3973, 4081, 836, 1230,0
4333, 216600, 1728, 458, 3959, 4085, 867, 1195,0
4334, 216650, 1766, 434, 3945, 4088, 899, 1161,0
4335, 216700, 1804, 411, 3931, 4091, 931, 1126,0
4336, 216750, 1842, 388, 3915, 4092, 963, 1092,0
4337, 216800, 1881, 366, 3899, 4093, 996, 1058,0
4338, 216850, 1919, 344, 3882, 4093, 1029, 1025,0
4339, 216900, 1958, 323, 3865, 4093, 1063, 992,0
4340, 216950, 1996, 302, 3847, 4092, 1097, 959,0
4341, 217000, 2035, 282, 3828, 4090, 1131, 927,0
4342, 217050, 2074, 263, 3809, 4087, 1166, 895,0
4343, 217100, 2112, 245, 3789, 4084, 1201, 863,0
4344, 217150, 2151, 227, 3768, 4079, 1236, 832,0
4345, 217200, 2189, 209, 3747, 4075, 1272, 801,0
4346, 217250, 2228, 193, 3725, 4069, 1307, 771,0
4347, 217300, 2266, 177, 3702, 4063, 1343, 741,0
4348, 217350, 2304, 162, 3679, 4056, 1380, 712,0
4349, 217400, 2343, 147, 3656, 4048, 1416, 683,0

4350, 217450, 2381, 133, 3632, 4039, 1453, 655,0
4351, 217500, 2419, 120, 3607, 4030, 1490, 627,0
4352, 217550, 2457, 107, 3582, 4020, 1527, 600,0
4353, 217600, 2494, 95, 3556, 4010, 1564, 573,0
4354, 217650, 2532, 84, 3530, 3999, 1602, 547,0
4355, 217700, 2569, 73, 3503, 3987, 1640, 521,0
4356, 217750, 2607, 64, 3475, 3974, 1677, 496,0
4357, 217800, 2644, 55, 3447, 3961, 1715, 471,0
4358, 217850, 2680, 46, 3419, 3947, 1753, 447,0
4359, 217900, 2717, 38, 3390, 3932, 1792, 423,0
4360, 217950, 2753, 31, 3361, 3917, 1830, 400,0
4361, 218000, 2789, 25, 3331, 3901, 1868, 378,0
4362, 218050, 2825, 20, 3301, 3884, 1907, 356,0
4363, 218100, 2861, 15, 3270, 3867, 1945, 335,0
4364, 218150, 2896, 11, 3239, 3849, 1983, 315,0
4365, 218200, 2931, 7, 3207, 3830, 2022, 295,0
4366, 218250, 2966, 5, 3175, 3811, 2061, 275,0
4367, 218300, 3000, 3, 3143, 3791, 2099, 257,0
4368, 218350, 3034, 2, 3110, 3770, 2138, 239,0
4369, 218400, 3068, 1, 3077, 3749, 2176, 221,0
4370, 218450, 3101, 1, 3043, 3728, 2214, 204,0
4371, 218500, 3134, 2, 3009, 3705, 2253, 188,0
4372, 218550, 3166, 4, 2975, 3682, 2291, 173,0

4373, 218600, 3198, 6, 2940, 3659, 2329, 158,0
4374, 218650, 3230, 10, 2906, 3635, 2367, 144,0
4375, 218700, 3261, 14, 2870, 3610, 2405, 131,0
4376, 218750, 3292, 18, 2835, 3585, 2443, 118,0
4377, 218800, 3323, 23, 2799, 3559, 2481, 106,0
4378, 218850, 3353, 30, 2763, 3533, 2518, 95,0
4379, 218900, 3382, 36, 2727, 3506, 2556, 84,0
4380, 218950, 3411, 44, 2690, 3479, 2593, 74,0
4381, 219000, 3440, 52, 2654, 3451, 2630, 65,0
4382, 219050, 3468, 61, 2617, 3423, 2667, 56,0
4383, 219100, 3495, 70, 2579, 3394, 2703, 48,0
4384, 219150, 3522, 81, 2542, 3365, 2740, 41,0
4385, 219200, 3549, 92, 2505, 3335, 2776, 35,0
4386, 219250, 3575, 104, 2467, 3305, 2812, 29,0
4387, 219300, 3600, 116, 2429, 3274, 2847, 24,0
4388, 219350, 3625, 129, 2391, 3243, 2882, 20,0
4389, 219400, 3649, 143, 2353, 3212, 2917, 16,0
4390, 219450, 3673, 157, 2315, 3180, 2952, 13,0
4391, 219500, 3696, 172, 2276, 3147, 2986, 11,0
4392, 219550, 3719, 188, 2238, 3115, 3020, 10,0
4393, 219600, 3741, 205, 2200, 3082, 3054, 9,0
4394, 219650, 3762, 222, 2161, 3048, 3087, 9,0
4395, 219700, 3783, 239, 2123, 3014, 3120, 10,0

4396, 219750, 3803, 258, 2084, 2980, 3153, 12,0
4397, 219800, 3823, 277, 2045, 2946, 3185, 14,0
4398, 219850, 3842, 296, 2007, 2911, 3217, 17,0
4399, 219900, 3860, 317, 1968, 2876, 3248, 21,0
4400, 219950, 3877, 338, 1930, 2840, 3279, 25,0
4401, 220000, 3894, 359, 1891, 2805, 3310, 30,0
4402, 220050, 3911, 381, 1853, 2769, 3340, 36,0
4403, 220100, 3926, 404, 1814, 2732, 3369, 43,0
4404, 220150, 3941, 427, 1776, 2696, 3398, 50,0
4405, 220200, 3956, 451, 1738, 2659, 3427, 58,0
4406, 220250, 3969, 475, 1700, 2622, 3455, 67,0
4407, 220300, 3982, 500, 1662, 2585, 3483, 76,0
4408, 220350, 3995, 526, 1624, 2548, 3510, 86,0
4409, 220400, 4006, 552, 1586, 2510, 3536, 97,0
4410, 220450, 4017, 579, 1549, 2473, 3562, 108,0
4411, 220500, 4027, 606, 1512, 2435, 3588, 121,0
4412, 220550, 4037, 633, 1475, 2397, 3613, 134,0
4413, 220600, 4046, 661, 1438, 2359, 3637, 147,0
4414, 220650, 4054, 690, 1401, 2321, 3661, 161,0
4415, 220700, 4061, 719, 1364, 2282, 3684, 176,0
4416, 220750, 4068, 749, 1328, 2244, 3707, 192,0
4417, 220800, 4074, 779, 1292, 2206, 3729, 208,0
4418, 220850, 4079, 809, 1256, 2167, 3751, 225,0

4419, 220900, 4083, 840, 1221, 2129, 3772, 242,0
4420, 220950, 4087, 872, 1186, 2090, 3792, 261,0
4421, 221000, 4090, 903, 1151, 2052, 3812, 279,0
4422, 221050, 4092, 936, 1116, 2013, 3831, 299,0
4423, 221100, 4094, 968, 1082, 1974, 3849, 319,0
4424, 221150, 4095, 1001, 1048, 1936, 3867, 340,0
4425, 221200, 4095, 1035, 1015, 1897, 3884, 361,0
4426, 221250, 4094, 1068, 982, 1859, 3900, 383,0
4427, 221300, 4093, 1102, 949, 1821, 3916, 405,0
4428, 221350, 4091, 1137, 917, 1782, 3931, 428,0
4429, 221400, 4088, 1171, 885, 1744, 3946, 452,0
4430, 221450, 4085, 1206, 853, 1706, 3960, 476,0
4431, 221500, 4080, 1242, 822, 1668, 3973, 501,0
4432, 221550, 4075, 1277, 791, 1630, 3985, 526,0
4433, 221600, 4070, 1313, 761, 1592, 3997, 552,0
4434, 221650, 4063, 1349, 731, 1555, 4008, 579,0
4435, 221700, 4056, 1386, 702, 1517, 4018, 606,0
4436, 221750, 4048, 1422, 673, 1480, 4028, 633,0
4437, 221800, 4040, 1459, 645, 1443, 4037, 661,0
4438, 221850, 4031, 1496, 617, 1407, 4045, 689,0
4439, 221900, 4021, 1534, 590, 1370, 4053, 718,0
4440, 221950, 4010, 1571, 563, 1334, 4059, 748,0
4441, 222000, 3999, 1609, 537, 1298, 4065, 778,0

4442, 222050, 3987, 1646, 511, 1262, 4071, 808,0
4443, 222100, 3974, 1684, 486, 1226, 4076, 839,0
4444, 222150, 3961, 1722, 461, 1191, 4079, 870,0
4445, 222200, 3946, 1760, 437, 1156, 4083, 901,0
4446, 222250, 3932, 1799, 413, 1122, 4085, 933,0
4447, 222300, 3916, 1837, 390, 1088, 4087, 966,0
4448, 222350, 3900, 1875, 368, 1054, 4088, 999,0
4449, 222400, 3883, 1914, 346, 1020, 4088, 1032,0
4450, 222450, 3866, 1952, 325, 987, 4088, 1065,0
4451, 222500, 3848, 1991, 305, 954, 4087, 1099,0
4452, 222550, 3829, 2030, 285, 922, 4085, 1133,0
4453, 222600, 3810, 2068, 266, 890, 4082, 1168,0
4454, 222650, 3790, 2107, 247, 858, 4079, 1203,0
4455, 222700, 3769, 2145, 229, 827, 4075, 1238,0
4456, 222750, 3748, 2184, 211, 796, 4070, 1273,0
4457, 222800, 3726, 2222, 195, 766, 4065, 1309,0
4458, 222850, 3704, 2261, 179, 736, 4059, 1345,0
4459, 222900, 3681, 2299, 163, 707, 4052, 1381,0
4460, 222950, 3658, 2337, 149, 678, 4044, 1418,0
4461, 223000, 3633, 2375, 135, 649, 4036, 1455,0
4462, 223050, 3609, 2413, 121, 621, 4027, 1491,0
4463, 223100, 3584, 2451, 109, 594, 4017, 1529,0
4464, 223150, 3558, 2489, 97, 567, 4006, 1566,0

4465, 223200, 3531, 2527, 85, 541, 3995, 1603,0
4466, 223250, 3505, 2564, 75, 515, 3984, 1641,0
4467, 223300, 3477, 2601, 65, 489, 3971, 1679,0
4468, 223350, 3449, 2638, 56, 465, 3958, 1717,0
4469, 223400, 3421, 2675, 47, 440, 3944, 1755,0
4470, 223450, 3392, 2712, 39, 417, 3929, 1793,0
4471, 223500, 3363, 2748, 32, 394, 3914, 1831,0
4472, 223550, 3333, 2784, 26, 371, 3898, 1869,0
4473, 223600, 3303, 2820, 20, 349, 3882, 1908,0
4474, 223650, 3272, 2856, 15, 328, 3864, 1946,0
4475, 223700, 3241, 2891, 11, 308, 3847, 1985,0
4476, 223750, 3209, 2926, 8, 288, 3828, 2023,0
4477, 223800, 3177, 2961, 5, 268, 3809, 2062,0
4478, 223850, 3145, 2995, 3, 249, 3789, 2100,0
4479, 223900, 3112, 3029, 2, 231, 3769, 2138,0
4480, 223950, 3079, 3063, 1, 214, 3748, 2177,0
4481, 224000, 3046, 3096, 1, 197, 3726, 2215,0
4482, 224050, 3012, 3129, 2, 181, 3704, 2254,0
4483, 224100, 2977, 3162, 4, 165, 3681, 2292,0
4484, 224150, 2943, 3194, 6, 150, 3658, 2330,0
4485, 224200, 2908, 3226, 9, 136, 3634, 2368,0
4486, 224250, 2873, 3257, 13, 123, 3610, 2406,0
4487, 224300, 2837, 3288, 17, 110, 3585, 2444,0

4488, 224350, 2802, 3318, 23, 98, 3559, 2482,0
4489, 224400, 2766, 3348, 29, 86, 3533, 2519,0
4490, 224450, 2729, 3378, 35, 76, 3506, 2557,0
4491, 224500, 2693, 3407, 43, 66, 3479, 2594,0
4492, 224550, 2656, 3436, 51, 56, 3451, 2631,0
4493, 224600, 2619, 3464, 60, 48, 3423, 2667,0
4494, 224650, 2582, 3491, 69, 40, 3394, 2704,0
4495, 224700, 2545, 3519, 79, 33, 3365, 2740,0
4496, 224750, 2507, 3545, 90, 26, 3336, 2777,0
4497, 224800, 2470, 3571, 102, 20, 3306, 2812,0
4498, 224850, 2432, 3597, 114, 15, 3275, 2848,0
4499, 224900, 2394, 3622, 127, 11, 3244, 2883,0
4500, 224950, 2356, 3646, 141, 7, 3213, 2918,0
4501, 225000, 2317, 3670, 155, 4, 3181, 2953,0
4502, 225050, 2279, 3693, 170, 2, 3149, 2987,0
4503, 225100, 2241, 3716, 186, 1, 3116, 3021,0
4504, 225150, 2202, 3738, 202, 0, 3083, 3055,0
4505, 225200, 2164, 3759, 219, 0, 3050, 3088,0
4506, 225250, 2125, 3780, 237, 1, 3016, 3121,0
4507, 225300, 2087, 3800, 255, 2, 2982, 3154,0
4508, 225350, 2048, 3820, 274, 5, 2948, 3186,0
4509, 225400, 2010, 3839, 294, 8, 2913, 3218,0
4510, 225450, 1971, 3857, 314, 11, 2878, 3249,0

4511, 225500, 1932, 3875, 335, 16, 2843, 3280,0
4512, 225550, 1894, 3892, 356, 21, 2807, 3311,0
4513, 225600, 1855, 3909, 378, 27, 2771, 3341,0
4514, 225650, 1817, 3924, 401, 33, 2735, 3370,0
4515, 225700, 1779, 3939, 424, 40, 2699, 3399,0
4516, 225750, 1741, 3954, 448, 48, 2662, 3428,0
4517, 225800, 1703, 3968, 472, 57, 2625, 3456,0
4518, 225850, 1665, 3981, 497, 66, 2588, 3484,0
4519, 225900, 1627, 3993, 523, 77, 2551, 3511,0
4520, 225950, 1589, 4005, 549, 87, 2513, 3538,0
4521, 226000, 1552, 4016, 575, 99, 2476, 3564,0
4522, 226050, 1514, 4026, 602, 111, 2438, 3589,0
4523, 226100, 1477, 4036, 630, 124, 2400, 3614,0
4524, 226150, 1440, 4044, 658, 137, 2362, 3639,0
4525, 226200, 1403, 4053, 687, 152, 2324, 3663,0
4526, 226250, 1367, 4060, 716, 167, 2286, 3686,0
4527, 226300, 1331, 4067, 745, 182, 2248, 3709,0
4528, 226350, 1295, 4073, 775, 198, 2209, 3731,0
4529, 226400, 1259, 4078, 806, 215, 2171, 3753,0
4530, 226450, 1223, 4083, 836, 233, 2133, 3773,0
4531, 226500, 1188, 4087, 868, 251, 2094, 3794,0
4532, 226550, 1153, 4090, 899, 270, 2056, 3814,0
4533, 226600, 1119, 4092, 932, 289, 2017, 3833,0

4534, 226650, 1085, 4094, 964, 309, 1979, 3851,0
4535, 226700, 1051, 4095, 997, 330, 1940, 3869,0
4536, 226750, 1017, 4095, 1030, 351, 1902, 3886,0
4537, 226800, 984, 4095, 1064, 373, 1863, 3903,0
4538, 226850, 951, 4093, 1098, 396, 1825, 3919,0
4539, 226900, 919, 4091, 1132, 419, 1787, 3934,0
4540, 226950, 887, 4089, 1167, 443, 1749, 3948,0
4541, 227000, 855, 4085, 1202, 467, 1710, 3962,0
4542, 227050, 824, 4081, 1237, 492, 1673, 3975,0
4543, 227100, 793, 4076, 1273, 517, 1635, 3988,0
4544, 227150, 763, 4071, 1309, 543, 1597, 4000,0
4545, 227200, 733, 4064, 1345, 569, 1560, 4011,0
4546, 227250, 704, 4057, 1381, 596, 1522, 4021,0
4547, 227300, 675, 4050, 1418, 624, 1485, 4031,0
4548, 227350, 647, 4041, 1455, 652, 1448, 4040,0
4549, 227400, 619, 4032, 1492, 680, 1412, 4048,0
4550, 227450, 592, 4022, 1529, 709, 1375, 4056,0
4551, 227500, 565, 4012, 1566, 739, 1339, 4063,0
4552, 227550, 538, 4000, 1604, 769, 1303, 4069,0
4553, 227600, 513, 3989, 1642, 799, 1267, 4074,0
4554, 227650, 487, 3976, 1680, 830, 1232, 4079,0
4555, 227700, 463, 3963, 1718, 861, 1196, 4083,0
4556, 227750, 439, 3949, 1756, 893, 1162, 4086,0

4557, 227800, 415, 3934, 1794, 925, 1127, 4089,0
4558, 227850, 392, 3919, 1832, 957, 1093, 4091,0
4559, 227900, 370, 3903, 1871, 990, 1059, 4092,0
4560, 227950, 348, 3886, 1909, 1023, 1025, 4092,0
4561, 228000, 327, 3869, 1948, 1057, 992, 4092,0
4562, 228050, 306, 3851, 1986, 1091, 959, 4091,0
4563, 228100, 286, 3832, 2025, 1125, 927, 4089,0
4564, 228150, 267, 3813, 2063, 1160, 895, 4087,0
4565, 228200, 248, 3793, 2102, 1195, 863, 4083,0
4566, 228250, 230, 3772, 2141, 1230, 832, 4079,0
4567, 228300, 213, 3751, 2179, 1265, 801, 4075,0
4568, 228350, 196, 3730, 2218, 1301, 771, 4069,0
4569, 228400, 180, 3707, 2256, 1337, 741, 4063,0
4570, 228450, 164, 3684, 2294, 1373, 712, 4057,0
4571, 228500, 149, 3661, 2333, 1410, 683, 4049,0
4572, 228550, 135, 3637, 2371, 1447, 654, 4041,0
4573, 228600, 122, 3612, 2409, 1484, 626, 4032,0
4574, 228650, 109, 3587, 2447, 1521, 599, 4022,0
4575, 228700, 97, 3561, 2484, 1558, 572, 4012,0
4576, 228750, 86, 3535, 2522, 1596, 546, 4001,0
4577, 228800, 75, 3508, 2560, 1634, 520, 3989,0
4578, 228850, 65, 3481, 2597, 1671, 494, 3976,0
4579, 228900, 56, 3453, 2634, 1709, 470, 3963,0

4580, 228950, 47, 3425, 2671, 1748, 445, 3950,0
4581, 229000, 40, 3396, 2707, 1786, 422, 3935,0
4582, 229050, 33, 3367, 2744, 1824, 399, 3920,0
4583, 229100, 26, 3337, 2780, 1863, 376, 3904,0
4584, 229150, 20, 3307, 2816, 1901, 354, 3888,0
4585, 229200, 15, 3276, 2851, 1939, 333, 3871,0
4586, 229250, 11, 3245, 2887, 1978, 312, 3853,0
4587, 229300, 8, 3214, 2922, 2017, 292, 3834,0
4588, 229350, 5, 3182, 2957, 2055, 273, 3815,0
4589, 229400, 3, 3150, 2991, 2094, 254, 3796,0
4590, 229450, 2, 3117, 3025, 2132, 236, 3775,0
4591, 229500, 1, 3084, 3059, 2171, 218, 3754,0
4592, 229550, 1, 3050, 3092, 2209, 201, 3733,0
4593, 229600, 2, 3016, 3125, 2248, 185, 3711,0
4594, 229650, 3, 2982, 3158, 2286, 169, 3688,0
4595, 229700, 6, 2948, 3190, 2324, 155, 3665,0
4596, 229750, 9, 2913, 3222, 2363, 140, 3641,0
4597, 229800, 13, 2878, 3253, 2401, 127, 3617,0
4598, 229850, 17, 2842, 3284, 2439, 114, 3592,0
4599, 229900, 22, 2807, 3315, 2476, 102, 3566,0
4600, 229950, 28, 2771, 3345, 2514, 90, 3540,0
4601, 230000, 35, 2735, 3375, 2552, 79, 3513,0
4602, 230050, 42, 2698, 3404, 2589, 69, 3486,0

4603, 230100, 50, 2661, 3432, 2626, 60, 3459,0
4604, 230150, 59, 2624, 3461, 2663, 51, 3431,0
4605, 230200, 68, 2587, 3488, 2700, 43, 3402,0
4606, 230250, 79, 2550, 3515, 2736, 36, 3373,0
4607, 230300, 89, 2513, 3542, 2772, 29, 3343,0
4608, 230350, 101, 2475, 3568, 2808, 23, 3313,0
4609, 230400, 113, 2437, 3594, 2844, 18, 3283,0
4610, 230450, 126, 2399, 3619, 2879, 14, 3252,0
4611, 230500, 140, 2361, 3643, 2914, 10, 3221,0
4612, 230550, 154, 2323, 3667, 2949, 7, 3189,0
4613, 230600, 169, 2285, 3690, 2984, 5, 3157,0
4614, 230650, 185, 2246, 3713, 3018, 3, 3124,0
4615, 230700, 201, 2208, 3735, 3052, 3, 3091,0
4616, 230750, 218, 2169, 3757, 3085, 3, 3058,0
4617, 230800, 236, 2131, 3778, 3118, 3, 3024,0
4618, 230850, 254, 2092, 3798, 3151, 5, 2990,0
4619, 230900, 273, 2054, 3818, 3183, 7, 2956,0
4620, 230950, 292, 2015, 3837, 3215, 10, 2921,0
4621, 231000, 313, 1976, 3855, 3246, 13, 2886,0
4622, 231050, 333, 1938, 3873, 3277, 17, 2851,0
4623, 231100, 355, 1899, 3890, 3308, 22, 2816,0
4624, 231150, 377, 1861, 3907, 3338, 28, 2780,0
4625, 231200, 399, 1822, 3923, 3368, 35, 2744,0

4626, 231250, 422, 1784, 3938, 3397, 42, 2707,0
4627, 231300, 446, 1746, 3952, 3426, 50, 2671,0
4628, 231350, 471, 1708, 3966, 3454, 58, 2634,0
4629, 231400, 495, 1670, 3979, 3482, 67, 2597,0
4630, 231450, 521, 1632, 3992, 3509, 77, 2560,0
4631, 231500, 547, 1594, 4003, 3536, 88, 2522,0
4632, 231550, 573, 1557, 4015, 3562, 99, 2485,0
4633, 231600, 600, 1519, 4025, 3588, 112, 2447,0
4634, 231650, 628, 1482, 4035, 3613, 124, 2409,0
4635, 231700, 656, 1445, 4044, 3638, 138, 2371,0
4636, 231750, 684, 1408, 4052, 3662, 152, 2333,0
4637, 231800, 713, 1372, 4059, 3685, 167, 2295,0
4638, 231850, 743, 1336, 4066, 3708, 182, 2257,0
4639, 231900, 773, 1300, 4072, 3730, 198, 2219,0
4640, 231950, 803, 1264, 4078, 3752, 215, 2180,0
4641, 232000, 834, 1228, 4082, 3773, 232, 2142,0
4642, 232050, 865, 1193, 4086, 3793, 250, 2103,0
4643, 232100, 897, 1158, 4090, 3813, 269, 2065,0
4644, 232150, 929, 1124, 4092, 3832, 289, 2026,0
4645, 232200, 962, 1089, 4094, 3851, 309, 1988,0
4646, 232250, 995, 1055, 4095, 3869, 329, 1949,0
4647, 232300, 1028, 1022, 4095, 3886, 350, 1911,0
4648, 232350, 1062, 989, 4095, 3903, 372, 1873,0

4649, 232400, 1096, 956, 4094, 3919, 394, 1834,0
4650, 232450, 1130, 923, 4092, 3934, 417, 1796,0
4651, 232500, 1165, 891, 4089, 3949, 441, 1758,0
4652, 232550, 1200, 860, 4086, 3962, 465, 1720,0
4653, 232600, 1235, 828, 4082, 3976, 490, 1682,0
4654, 232650, 1270, 798, 4077, 3988, 515, 1644,0
4655, 232700, 1306, 767, 4072, 4000, 541, 1606,0
4656, 232750, 1342, 737, 4065, 4011, 567, 1569,0
4657, 232800, 1379, 708, 4058, 4022, 594, 1532,0
4658, 232850, 1415, 679, 4051, 4032, 621, 1494,0
4659, 232900, 1452, 651, 4042, 4041, 649, 1457,0
4660, 232950, 1489, 623, 4033, 4049, 678, 1421,0
4661, 233000, 1526, 595, 4024, 4057, 706, 1384,0
4662, 233050, 1564, 568, 4013, 4064, 736, 1348,0
4663, 233100, 1601, 542, 4002, 4070, 766, 1312,0
4664, 233150, 1639, 516, 3990, 4076, 796, 1276,0
4665, 233200, 1677, 491, 3978, 4080, 826, 1241,0
4666, 233250, 1715, 466, 3964, 4085, 858, 1205,0
4667, 233300, 1753, 442, 3950, 4088, 889, 1171,0
4668, 233350, 1791, 418, 3936, 4091, 921, 1136,0
4669, 233400, 1830, 395, 3921, 4092, 953, 1102,0
4670, 233450, 1868, 373, 3905, 4094, 986, 1068,0
4671, 233500, 1906, 351, 3888, 4094, 1019, 1034,0

4672, 233550, 1945, 329, 3871, 4094, 1053, 1001,0
4673, 233600, 1984, 309, 3853, 4093, 1087, 968,0
4674, 233650, 2022, 289, 3835, 4091, 1121, 936,0
4675, 233700, 2061, 269, 3815, 4089, 1155, 904,0
4676, 233750, 2099, 250, 3796, 4085, 1190, 872,0
4677, 233800, 2138, 232, 3775, 4082, 1225, 841,0
4678, 233850, 2176, 215, 3754, 4077, 1261, 810,0
4679, 233900, 2215, 198, 3733, 4072, 1296, 780,0
4680, 233950, 2253, 182, 3710, 4065, 1332, 750,0
4681, 234000, 2292, 166, 3687, 4059, 1369, 720,0
4682, 234050, 2330, 151, 3664, 4051, 1405, 691,0
4683, 234100, 2368, 137, 3640, 4043, 1442, 663,0
4684, 234150, 2406, 124, 3616, 4034, 1479, 635,0
4685, 234200, 2444, 111, 3590, 4024, 1516, 607,0
4686, 234250, 2482, 99, 3565, 4014, 1553, 580,0
4687, 234300, 2519, 87, 3539, 4003, 1590, 554,0
4688, 234350, 2557, 77, 3512, 3991, 1628, 528,0
4689, 234400, 2594, 66, 3485, 3979, 1666, 502,0
4690, 234450, 2631, 57, 3457, 3966, 1704, 478,0
4691, 234500, 2668, 48, 3429, 3952, 1742, 453,0
4692, 234550, 2705, 41, 3400, 3938, 1780, 430,0
4693, 234600, 2741, 33, 3371, 3922, 1818, 406,0
4694, 234650, 2777, 27, 3341, 3907, 1856, 384,0

4695, 234700, 2813, 21, 3311, 3890, 1895, 362,0
4696, 234750, 2849, 16, 3280, 3873, 1933, 340,0
4697, 234800, 2884, 12, 3249, 3855, 1972, 320,0
4698, 234850, 2920, 8, 3218, 3837, 2010, 300,0
4699, 234900, 2954, 5, 3186, 3818, 2049, 280,0
4700, 234950, 2989, 3, 3154, 3798, 2087, 261,0
4701, 235000, 3023, 2, 3121, 3778, 2126, 243,0
4702, 235050, 3057, 1, 3088, 3757, 2164, 225,0
4703, 235100, 3090, 1, 3055, 3735, 2203, 208,0
4704, 235150, 3123, 2, 3021, 3713, 2241, 192,0
4705, 235200, 3156, 3, 2987, 3691, 2279, 176,0
4706, 235250, 3188, 5, 2952, 3667, 2318, 161,0
4707, 235300, 3220, 8, 2917, 3644, 2356, 147,0
4708, 235350, 3251, 12, 2882, 3619, 2394, 133,0
4709, 235400, 3282, 16, 2847, 3594, 2432, 120,0
4710, 235450, 3313, 21, 2811, 3569, 2469, 108,0
4711, 235500, 3343, 27, 2775, 3542, 2507, 97,0
4712, 235550, 3373, 34, 2739, 3516, 2545, 86,0
4713, 235600, 3402, 41, 2703, 3489, 2582, 75,0
4714, 235650, 3430, 49, 2666, 3461, 2619, 66,0
4715, 235700, 3459, 57, 2629, 3433, 2656, 57,0
4716, 235750, 3486, 67, 2592, 3404, 2692, 49,0
4717, 235800, 3514, 77, 2555, 3375, 2729, 42,0

4718, 235850, 3540, 88, 2517, 3346, 2765, 35,0
4719, 235900, 3566, 99, 2480, 3316, 2801, 29,0
4720, 235950, 3592, 111, 2442, 3285, 2837, 24,0
4721, 236000, 3617, 124, 2404, 3254, 2872, 19,0
4722, 236050, 3642, 138, 2366, 3223, 2907, 16,0
4723, 236100, 3666, 152, 2328, 3191, 2942, 12,0
4724, 236150, 3689, 167, 2289, 3159, 2976, 10,0
4725, 236200, 3712, 182, 2251, 3126, 3010, 9,0
4726, 236250, 3734, 199, 2213, 3093, 3044, 8,0
4727, 236300, 3755, 216, 2174, 3060, 3078, 7,0
4728, 236350, 3776, 233, 2135, 3026, 3111, 8,0
4729, 236400, 3797, 251, 2097, 2992, 3143, 9,0
4730, 236450, 3817, 270, 2058, 2958, 3176, 11,0
4731, 236500, 3836, 290, 2020, 2923, 3208, 14,0
4732, 236550, 3854, 310, 1981, 2888, 3239, 18,0
4733, 236600, 3872, 330, 1943, 2853, 3270, 22,0
4734, 236650, 3889, 352, 1904, 2817, 3301, 27,0
4735, 236700, 3906, 373, 1866, 2781, 3331, 32,0
4736, 236750, 3922, 396, 1827, 2745, 3361, 39,0
4737, 236800, 3937, 419, 1789, 2708, 3390, 46,0
4738, 236850, 3951, 443, 1751, 2672, 3419, 53,0
4739, 236900, 3965, 467, 1713, 2635, 3447, 62,0
4740, 236950, 3978, 492, 1675, 2598, 3475, 71,0

4741, 237000, 3991, 517, 1637, 2561, 3502, 81,0
4742, 237050, 4003, 543, 1599, 2523, 3529, 91,0
4743, 237100, 4014, 569, 1561, 2486, 3555, 103,0
4744, 237150, 4024, 596, 1524, 2448, 3581, 115,0
4745, 237200, 4034, 624, 1487, 2410, 3606, 127,0
4746, 237250, 4043, 652, 1450, 2372, 3631, 141,0
4747, 237300, 4051, 680, 1413, 2334, 3655, 155,0
4748, 237350, 4059, 709, 1376, 2296, 3678, 169,0
4749, 237400, 4066, 739, 1340, 2257, 3701, 185,0
4750, 237450, 4072, 769, 1304, 2219, 3723, 201,0
4751, 237500, 4077, 799, 1268, 2180, 3745, 218,0
4752, 237550, 4082, 830, 1233, 2142, 3766, 235,0
4753, 237600, 4086, 861, 1197, 2103, 3787, 253,0
4754, 237650, 4089, 893, 1162, 2065, 3806, 271,0
4755, 237700, 4092, 925, 1128, 2026, 3826, 291,0
4756, 237750, 4094, 957, 1093, 1987, 3844, 311,0
4757, 237800, 4095, 990, 1060, 1949, 3862, 331,0
4758, 237850, 4095, 1023, 1026, 1910, 3880, 352,0
4759, 237900, 4095, 1057, 993, 1872, 3896, 374,0
4760, 237950, 4094, 1091, 960, 1833, 3912, 396,0
4761, 238000, 4092, 1125, 927, 1795, 3928, 419,0
4762, 238050, 4089, 1160, 895, 1757, 3942, 442,0
4763, 238100, 4086, 1195, 863, 1719, 3956, 467,0

4764, 238150, 4082, 1230, 832, 1681, 3970, 491,0
4765, 238200, 4077, 1265, 801, 1643, 3982, 516,0
4766, 238250, 4072, 1301, 771, 1605, 3994, 542,0
4767, 238300, 4066, 1337, 741, 1568, 4006, 568,0
4768, 238350, 4059, 1373, 712, 1530, 4016, 595,0
4769, 238400, 4051, 1410, 683, 1493, 4026, 622,0
4770, 238450, 4043, 1447, 654, 1456, 4035, 650,0
4771, 238500, 4034, 1484, 626, 1419, 4044, 678,0
4772, 238550, 4024, 1521, 599, 1382, 4052, 707,0
4773, 238600, 4014, 1558, 572, 1346, 4059, 736,0
4774, 238650, 4003, 1596, 545, 1310, 4065, 766,0
4775, 238700, 3991, 1634, 519, 1274, 4071, 796,0
4776, 238750, 3979, 1671, 494, 1238, 4076, 827,0
4777, 238800, 3965, 1709, 469, 1203, 4080, 858,0
4778, 238850, 3952, 1748, 445, 1168, 4083, 889,0
4779, 238900, 3937, 1786, 421, 1133, 4086, 921,0
4780, 238950, 3922, 1824, 398, 1099, 4088, 953,0
4781, 239000, 3906, 1863, 375, 1065, 4089, 986,0
4782, 239050, 3889, 1901, 353, 1031, 4090, 1019,0
4783, 239100, 3872, 1940, 332, 998, 4090, 1053,0
4784, 239150, 3854, 1978, 311, 965, 4089, 1086,0
4785, 239200, 3836, 2017, 291, 933, 4087, 1120,0
4786, 239250, 3817, 2055, 272, 900, 4085, 1155,0

4787, 239300, 3797, 2094, 253, 869, 4082, 1190,0
4788, 239350, 3777, 2132, 234, 837, 4078, 1225,0
4789, 239400, 3756, 2171, 217, 806, 4073, 1260,0
4790, 239450, 3734, 2209, 200, 776, 4068, 1296,0
4791, 239500, 3712, 2248, 184, 746, 4062, 1332,0
4792, 239550, 3689, 2286, 168, 716, 4056, 1368,0
4793, 239600, 3666, 2325, 153, 687, 4048, 1404,0
4794, 239650, 3642, 2363, 139, 659, 4040, 1441,0
4795, 239700, 3617, 2401, 125, 630, 4031, 1478,0
4796, 239750, 3592, 2439, 112, 603, 4022, 1515,0
4797, 239800, 3567, 2477, 100, 576, 4012, 1552,0
4798, 239850, 3540, 2514, 89, 549, 4001, 1589,0
4799, 239900, 3514, 2552, 78, 523, 3989, 1627,0
4800, 239950, 3487, 2589, 68, 498, 3977, 1665,0
4801, 240000, 3459, 2626, 58, 473, 3964, 1703,0
4802, 240050, 3431, 2663, 49, 448, 3950, 1741,0
4803, 240100, 3402, 2700, 41, 425, 3936, 1779,0
4804, 240150, 3373, 2736, 34, 401, 3921, 1817,0
4805, 240200, 3343, 2772, 28, 379, 3905, 1855,0
4806, 240250, 3313, 2808, 22, 357, 3889, 1893,0
4807, 240300, 3282, 2844, 16, 335, 3872, 1932,0
4808, 240350, 3251, 2879, 12, 314, 3854, 1970,0
4809, 240400, 3220, 2915, 8, 294, 3836, 2009,0

4810, 240450, 3188, 2949, 5, 274, 3817, 2047,0
4811, 240500, 3156, 2984, 3, 255, 3797, 2086,0
4812, 240550, 3123, 3018, 2, 237, 3777, 2124,0
4813, 240600, 3090, 3052, 1, 219, 3756, 2163,0
4814, 240650, 3057, 3085, 1, 202, 3735, 2201,0
4815, 240700, 3023, 3118, 1, 186, 3713, 2239,0
4816, 240750, 2989, 3151, 3, 170, 3690, 2278,0
4817, 240800, 2955, 3183, 5, 155, 3667, 2316,0
4818, 240850, 2920, 3215, 8, 141, 3644, 2354,0
4819, 240900, 2885, 3247, 11, 127, 3619, 2392,0
4820, 240950, 2849, 3278, 16, 114, 3594, 2430,0
4821, 241000, 2814, 3309, 21, 102, 3569, 2468,0
4822, 241050, 2778, 3339, 26, 90, 3543, 2505,0
4823, 241100, 2742, 3368, 33, 79, 3516, 2543,0
4824, 241150, 2705, 3398, 40, 69, 3489, 2580,0
4825, 241200, 2669, 3426, 48, 59, 3462, 2617,0
4826, 241250, 2632, 3455, 56, 50, 3434, 2654,0
4827, 241300, 2595, 3483, 66, 42, 3405, 2691,0
4828, 241350, 2557, 3510, 76, 35, 3376, 2727,0
4829, 241400, 2520, 3537, 86, 28, 3347, 2763,0
4830, 241450, 2482, 3563, 98, 22, 3317, 2799,0
4831, 241500, 2444, 3588, 110, 17, 3287, 2835,0
4832, 241550, 2406, 3614, 123, 12, 3256, 2870,0

4833, 241600, 2368, 3638, 136, 8, 3225, 2905,0
4834, 241650, 2330, 3662, 150, 5, 3193, 2940,0
4835, 241700, 2292, 3686, 165, 3, 3161, 2975,0
4836, 241750, 2254, 3709, 180, 1, 3128, 3009,0
4837, 241800, 2215, 3731, 197, 0, 3095, 3043,0
4838, 241850, 2177, 3753, 213, 0, 3062, 3076,0
4839, 241900, 2138, 3774, 231, 1, 3029, 3109,0
4840, 241950, 2100, 3794, 249, 2, 2995, 3142,0
4841, 242000, 2061, 3814, 268, 4, 2960, 3174,0
4842, 242050, 2022, 3833, 287, 6, 2926, 3206,0
4843, 242100, 1984, 3852, 307, 10, 2891, 3238,0
4844, 242150, 1945, 3870, 328, 14, 2856, 3269,0
4845, 242200, 1907, 3887, 349, 19, 2820, 3299,0
4846, 242250, 1868, 3904, 371, 24, 2784, 3330,0
4847, 242300, 1830, 3920, 393, 31, 2748, 3359,0
4848, 242350, 1792, 3935, 416, 38, 2712, 3389,0
4849, 242400, 1753, 3949, 440, 46, 2675, 3417,0
4850, 242450, 1715, 3963, 464, 54, 2639, 3446,0
4851, 242500, 1677, 3977, 489, 63, 2602, 3474,0
4852, 242550, 1639, 3989, 514, 73, 2565, 3501,0
4853, 242600, 1602, 4001, 540, 84, 2527, 3528,0
4854, 242650, 1564, 4012, 566, 95, 2490, 3554,0
4855, 242700, 1527, 4023, 593, 107, 2452, 3580,0

4856, 242750, 1489, 4033, 620, 119, 2414, 3605,0
4857, 242800, 1452, 4042, 648, 133, 2376, 3630,0
4858, 242850, 1415, 4050, 677, 147, 2338, 3654,0
4859, 242900, 1379, 4058, 706, 162, 2300, 3677,0
4860, 242950, 1343, 4065, 735, 177, 2262, 3700,0
4861, 243000, 1306, 4071, 765, 193, 2223, 3723,0
4862, 243050, 1271, 4077, 795, 210, 2185, 3744,0
4863, 243100, 1235, 4082, 826, 227, 2147, 3765,0
4864, 243150, 1200, 4086, 857, 245, 2108, 3786,0
4865, 243200, 1165, 4089, 889, 263, 2070, 3806,0
4866, 243250, 1130, 4092, 921, 283, 2031, 3825,0
4867, 243300, 1096, 4094, 953, 303, 1993, 3844,0
4868, 243350, 1062, 4095, 986, 323, 1954, 3862,0
4869, 243400, 1028, 4095, 1019, 344, 1916, 3879,0
4870, 243450, 995, 4095, 1053, 366, 1877, 3896,0
4871, 243500, 962, 4094, 1087, 388, 1839, 3912,0
4872, 243550, 929, 4092, 1121, 411, 1801, 3928,0
4873, 243600, 897, 4090, 1155, 435, 1762, 3942,0
4874, 243650, 866, 4087, 1190, 459, 1724, 3956,0
4875, 243700, 834, 4083, 1225, 483, 1686, 3970,0
4876, 243750, 803, 4078, 1261, 509, 1648, 3983,0
4877, 243800, 773, 4073, 1297, 534, 1611, 3995,0
4878, 243850, 743, 4067, 1333, 560, 1573, 4006,0

4879, 243900, 714, 4060, 1369, 587, 1536, 4017,0
4880, 243950, 685, 4053, 1405, 615, 1499, 4027,0
4881, 244000, 656, 4044, 1442, 642, 1462, 4036,0
4882, 244050, 628, 4036, 1479, 671, 1425, 4044,0
4883, 244100, 600, 4026, 1516, 700, 1388, 4052,0
4884, 244150, 573, 4016, 1554, 729, 1352, 4059,0
4885, 244200, 547, 4005, 1591, 759, 1316, 4066,0
4886, 244250, 521, 3993, 1629, 789, 1280, 4072,0
4887, 244300, 495, 3980, 1667, 819, 1244, 4077,0
4888, 244350, 471, 3967, 1705, 851, 1209, 4081,0
4889, 244400, 446, 3954, 1743, 882, 1174, 4084,0
4890, 244450, 422, 3939, 1781, 914, 1139, 4087,0
4891, 244500, 399, 3924, 1819, 946, 1105, 4089,0
4892, 244550, 377, 3908, 1858, 979, 1071, 4091,0
4893, 244600, 355, 3892, 1896, 1012, 1037, 4091,0
4894, 244650, 333, 3875, 1935, 1046, 1004, 4091,0
4895, 244700, 313, 3857, 1973, 1079, 971, 4090,0
4896, 244750, 292, 3839, 2012, 1114, 939, 4089,0
4897, 244800, 273, 3820, 2051, 1148, 906, 4087,0
4898, 244850, 254, 3800, 2089, 1183, 875, 4084,0
4899, 244900, 236, 3780, 2128, 1218, 843, 4080,0
4900, 244950, 218, 3759, 2166, 1254, 812, 4075,0
4901, 245000, 201, 3737, 2205, 1289, 782, 4070,0

4902, 245050, 185, 3715, 2243, 1325, 752, 4064,0
4903, 245100, 169, 3692, 2282, 1361, 722, 4058,0
4904, 245150, 154, 3669, 2320, 1398, 693, 4051,0
4905, 245200, 140, 3645, 2358, 1435, 665, 4043,0
4906, 245250, 126, 3621, 2396, 1472, 637, 4034,0
4907, 245300, 113, 3596, 2434, 1509, 609, 4024,0
4908, 245350, 101, 3570, 2472, 1546, 582, 4014,0
4909, 245400, 89, 3544, 2510, 1584, 555, 4003,0
4910, 245450, 78, 3518, 2547, 1621, 529, 3992,0
4911, 245500, 68, 3491, 2584, 1659, 504, 3980,0
4912, 245550, 59, 3463, 2622, 1697, 479, 3967,0
4913, 245600, 50, 3435, 2659, 1735, 454, 3953,0
4914, 245650, 42, 3406, 2695, 1773, 430, 3939,0
4915, 245700, 35, 3377, 2732, 1812, 407, 3924,0
4916, 245750, 28, 3347, 2768, 1850, 384, 3908,0
4917, 245800, 22, 3317, 2804, 1888, 362, 3892,0
4918, 245850, 17, 3287, 2840, 1927, 341, 3875,0
4919, 245900, 12, 3256, 2875, 1965, 320, 3858,0
4920, 245950, 9, 3225, 2910, 2004, 300, 3840,0
4921, 246000, 5, 3193, 2945, 2043, 280, 3821,0
4922, 246050, 3, 3161, 2980, 2081, 261, 3801,0
4923, 246100, 2, 3128, 3014, 2120, 243, 3781,0
4924, 246150, 1, 3095, 3048, 2158, 225, 3760,0

4925, 246200, 1, 3062, 3081, 2197, 208, 3739,0
4926, 246250, 1, 3028, 3114, 2235, 191, 3717,0
4927, 246300, 3, 2994, 3147, 2274, 175, 3695,0
4928, 246350, 5, 2959, 3180, 2312, 160, 3672,0
4929, 246400, 7, 2925, 3211, 2350, 146, 3648,0
4930, 246450, 11, 2890, 3243, 2388, 132, 3624,0
4931, 246500, 15, 2854, 3274, 2426, 119, 3599,0
4932, 246550, 20, 2819, 3305, 2464, 106, 3574,0
4933, 246600, 26, 2783, 3335, 2502, 95, 3548,0
4934, 246650, 32, 2747, 3365, 2539, 84, 3521,0
4935, 246700, 39, 2710, 3394, 2577, 73, 3494,0
4936, 246750, 47, 2674, 3423, 2614, 64, 3467,0
4937, 246800, 56, 2637, 3451, 2651, 55, 3439,0
4938, 246850, 65, 2600, 3479, 2688, 47, 3410,0
4939, 246900, 75, 2563, 3507, 2724, 39, 3382,0
4940, 246950, 85, 2525, 3533, 2760, 32, 3352,0
4941, 247000, 97, 2487, 3560, 2797, 26, 3322,0
4942, 247050, 109, 2450, 3585, 2832, 21, 3292,0
4943, 247100, 122, 2412, 3611, 2868, 16, 3261,0
4944, 247150, 135, 2374, 3635, 2903, 12, 3230,0
4945, 247200, 149, 2336, 3659, 2938, 9, 3198,0
4946, 247250, 164, 2297, 3683, 2972, 6, 3166,0
4947, 247300, 179, 2259, 3706, 3007, 5, 3134,0

4948, 247350, 195, 2221, 3728, 3041, 4, 3101,0
4949, 247400, 212, 2182, 3750, 3074, 3, 3068,0
4950, 247450, 230, 2144, 3771, 3107, 4, 3034,0
4951, 247500, 248, 2105, 3792, 3140, 5, 3001,0
4952, 247550, 266, 2066, 3812, 3173, 7, 2966,0
4953, 247600, 286, 2028, 3831, 3205, 9, 2932,0
4954, 247650, 306, 1989, 3850, 3236, 13, 2897,0
4955, 247700, 326, 1951, 3868, 3268, 17, 2862,0
4956, 247750, 347, 1912, 3885, 3298, 21, 2826,0
4957, 247800, 369, 1874, 3902, 3329, 27, 2790,0
4958, 247850, 392, 1835, 3918, 3359, 33, 2754,0
4959, 247900, 414, 1797, 3933, 3388, 40, 2718,0
4960, 247950, 438, 1759, 3948, 3417, 48, 2682,0
4961, 248000, 462, 1720, 3962, 3445, 56, 2645,0
4962, 248050, 487, 1682, 3975, 3473, 65, 2608,0
4963, 248100, 512, 1645, 3988, 3501, 75, 2571,0
4964, 248150, 538, 1607, 4000, 3528, 85, 2534,0
4965, 248200, 564, 1569, 4011, 3554, 96, 2496,0
4966, 248250, 591, 1532, 4022, 3580, 108, 2459,0
4967, 248300, 618, 1494, 4032, 3605, 121, 2421,0
4968, 248350, 646, 1457, 4041, 3630, 134, 2383,0
4969, 248400, 675, 1421, 4049, 3654, 148, 2345,0
4970, 248450, 704, 1384, 4057, 3678, 162, 2307,0

4971, 248500, 733, 1348, 4064, 3701, 178, 2268,0
4972, 248550, 763, 1311, 4071, 3723, 194, 2230,0
4973, 248600, 793, 1276, 4076, 3745, 210, 2192,0
4974, 248650, 824, 1240, 4081, 3766, 227, 2153,0
4975, 248700, 855, 1205, 4085, 3787, 245, 2115,0
4976, 248750, 886, 1170, 4089, 3807, 264, 2076,0
4977, 248800, 918, 1135, 4092, 3826, 283, 2038,0
4978, 248850, 951, 1101, 4094, 3845, 303, 1999,0
4979, 248900, 984, 1066, 4095, 3863, 323, 1961,0
4980, 248950, 1017, 1033, 4095, 3881, 344, 1922,0
4981, 249000, 1050, 999, 4095, 3898, 366, 1884,0
4982, 249050, 1084, 966, 4094, 3914, 388, 1846,0
4983, 249100, 1118, 934, 4093, 3929, 411, 1807,0
4984, 249150, 1153, 902, 4090, 3944, 434, 1769,0
4985, 249200, 1188, 870, 4087, 3958, 458, 1731,0
4986, 249250, 1223, 839, 4084, 3972, 482, 1693,0
4987, 249300, 1258, 808, 4079, 3985, 507, 1655,0
4988, 249350, 1294, 777, 4074, 3997, 533, 1618,0
4989, 249400, 1330, 747, 4068, 4008, 559, 1580,0
4990, 249450, 1366, 718, 4061, 4019, 586, 1543,0
4991, 249500, 1403, 688, 4054, 4029, 613, 1505,0
4992, 249550, 1440, 660, 4046, 4038, 641, 1468,0
4993, 249600, 1477, 632, 4037, 4047, 669, 1432,0

4994, 249650, 1514, 604, 4027, 4055, 698, 1395,0
4995, 249700, 1551, 577, 4017, 4062, 727, 1359,0
4996, 249750, 1589, 550, 4006, 4069, 756, 1322,0
4997, 249800, 1626, 524, 3994, 4074, 787, 1287,0
4998, 249850, 1664, 499, 3982, 4079, 817, 1251,0
4999, 249900, 1702, 474, 3969, 4084, 848, 1216,0
5000, 249950, 1740, 450, 3955, 4087, 879, 1181,0
5001, 250000, 1778, 426, 3941, 4090, 911, 1146,0
5002, 250050, 1817, 402, 3926, 4092, 944, 1112,0
5003, 250100, 1855, 380, 3910, 4094, 976, 1078,0
5004, 250150, 1894, 358, 3894, 4094, 1009, 1044,0
5005, 250200, 1932, 336, 3877, 4094, 1043, 1011,0
5006, 250250, 1971, 315, 3859, 4094, 1076, 978,0
5007, 250300, 2009, 295, 3841, 4092, 1110, 945,0
5008, 250350, 2048, 275, 3822, 4090, 1145, 913,0
5009, 250400, 2086, 256, 3802, 4087, 1179, 881,0
5010, 250450, 2125, 238, 3782, 4083, 1214, 850,0
5011, 250500, 2164, 220, 3761, 4079, 1250, 819,0
5012, 250550, 2202, 203, 3740, 4074, 1285, 788,0
5013, 250600, 2241, 187, 3718, 4068, 1321, 758,0
5014, 250650, 2279, 171, 3695, 4062, 1357, 728,0
5015, 250700, 2317, 156, 3672, 4054, 1394, 699,0
5016, 250750, 2355, 142, 3648, 4046, 1430, 671,0

5017, 250800, 2394, 128, 3624, 4038, 1467, 642,0
5018, 250850, 2431, 115, 3599, 4028, 1504, 615,0
5019, 250900, 2469, 102, 3574, 4018, 1542, 588,0
5020, 250950, 2507, 91, 3548, 4007, 1579, 561,0
5021, 251000, 2545, 80, 3521, 3996, 1617, 535,0
5022, 251050, 2582, 69, 3494, 3984, 1654, 509,0
5023, 251100, 2619, 60, 3466, 3971, 1692, 484,0
5024, 251150, 2656, 51, 3438, 3957, 1730, 460,0
5025, 251200, 2693, 43, 3410, 3943, 1768, 436,0
5026, 251250, 2729, 35, 3381, 3928, 1806, 413,0
5027, 251300, 2766, 29, 3351, 3912, 1845, 390,0
5028, 251350, 2802, 23, 3321, 3896, 1883, 368,0
5029, 251400, 2837, 17, 3291, 3879, 1922, 346,0
5030, 251450, 2873, 13, 3260, 3862, 1960, 325,0
5031, 251500, 2908, 9, 3229, 3844, 1999, 305,0
5032, 251550, 2943, 6, 3197, 3825, 2037, 285,0
5033, 251600, 2977, 3, 3165, 3805, 2076, 266,0
5034, 251650, 3012, 2, 3132, 3785, 2114, 247,0
5035, 251700, 3045, 1, 3099, 3764, 2153, 230,0
5036, 251750, 3079, 0, 3066, 3743, 2191, 212,0
5037, 251800, 3112, 1, 3032, 3721, 2229, 196,0
5038, 251850, 3145, 2, 2998, 3699, 2268, 180,0
5039, 251900, 3177, 4, 2964, 3676, 2306, 165,0

5040, 251950, 3209, 7, 2929, 3652, 2344, 150,0
5041, 252000, 3241, 10, 2894, 3628, 2382, 136,0
5042, 252050, 3272, 14, 2859, 3603, 2420, 123,0
5043, 252100, 3303, 19, 2823, 3578, 2458, 111,0
5044, 252150, 3333, 25, 2787, 3552, 2496, 99,0
5045, 252200, 3363, 31, 2751, 3525, 2533, 88,0
5046, 252250, 3392, 38, 2715, 3498, 2571, 77,0
5047, 252300, 3421, 46, 2678, 3471, 2608, 67,0
5048, 252350, 3449, 54, 2641, 3443, 2645, 58,0
5049, 252400, 3477, 63, 2604, 3414, 2681, 50,0
5050, 252450, 3505, 73, 2567, 3385, 2718, 42,0
5051, 252500, 3532, 84, 2530, 3356, 2754, 36,0
5052, 252550, 3558, 95, 2492, 3326, 2790, 29,0
5053, 252600, 3584, 107, 2454, 3296, 2826, 24,0
5054, 252650, 3609, 120, 2417, 3265, 2861, 19,0
5055, 252700, 3634, 133, 2379, 3234, 2897, 15,0
5056, 252750, 3658, 147, 2340, 3202, 2931, 12,0
5057, 252800, 3681, 162, 2302, 3170, 2966, 9,0
5058, 252850, 3704, 177, 2264, 3137, 3000, 7,0
5059, 252900, 3727, 193, 2225, 3105, 3034, 6,0
5060, 252950, 3749, 210, 2187, 3071, 3068, 6,0
5061, 253000, 3770, 227, 2148, 3038, 3101, 6,0
5062, 253050, 3790, 245, 2110, 3004, 3134, 7,0

5063, 253100, 3810, 264, 2071, 2969, 3166, 9,0
5064, 253150, 3830, 283, 2033, 2935, 3198, 12,0
5065, 253200, 3848, 303, 1994, 2900, 3230, 15,0
5066, 253250, 3866, 323, 1955, 2865, 3261, 19,0
5067, 253300, 3884, 344, 1917, 2829, 3292, 23,0
5068, 253350, 3901, 366, 1878, 2793, 3322, 29,0
5069, 253400, 3917, 388, 1840, 2757, 3352, 35,0
5070, 253450, 3932, 411, 1802, 2721, 3381, 42,0
5071, 253500, 3947, 435, 1763, 2684, 3410, 49,0
5072, 253550, 3961, 459, 1725, 2648, 3439, 57,0
5073, 253600, 3974, 483, 1687, 2611, 3467, 66,0
5074, 253650, 3987, 508, 1649, 2573, 3494, 76,0
5075, 253700, 3999, 534, 1611, 2536, 3521, 86,0
5076, 253750, 4011, 560, 1574, 2498, 3548, 97,0
5077, 253800, 4021, 587, 1536, 2461, 3574, 109,0
5078, 253850, 4031, 614, 1499, 2423, 3599, 122,0
5079, 253900, 4040, 642, 1462, 2385, 3624, 135,0
5080, 253950, 4049, 671, 1425, 2347, 3648, 149,0
5081, 254000, 4057, 699, 1388, 2309, 3672, 163,0
5082, 254050, 4064, 729, 1352, 2270, 3695, 178,0
5083, 254100, 4070, 758, 1316, 2232, 3717, 194,0
5084, 254150, 4076, 789, 1280, 2193, 3739, 210,0
5085, 254200, 4081, 819, 1244, 2155, 3760, 227,0

5086, 254250, 4085, 850, 1209, 2116, 3781, 245,0
5087, 254300, 4089, 882, 1174, 2078, 3801, 264,0
5088, 254350, 4091, 914, 1139, 2039, 3821, 283,0
5089, 254400, 4093, 946, 1105, 2001, 3840, 302,0
5090, 254450, 4095, 979, 1071, 1962, 3858, 323,0
5091, 254500, 4095, 1012, 1037, 1923, 3875, 344,0
5092, 254550, 4095, 1045, 1004, 1885, 3892, 365,0
5093, 254600, 4094, 1079, 971, 1847, 3908, 387,0
5094, 254650, 4093, 1113, 938, 1808, 3924, 410,0
5095, 254700, 4091, 1148, 906, 1770, 3939, 433,0
5096, 254750, 4088, 1183, 874, 1732, 3953, 457,0
5097, 254800, 4084, 1218, 842, 1694, 3967, 481,0
5098, 254850, 4079, 1253, 811, 1656, 3980, 506,0
5099, 254900, 4074, 1289, 781, 1618, 3992, 532,0
5100, 254950, 4068, 1325, 751, 1580, 4003, 558,0
5101, 255000, 4062, 1361, 721, 1543, 4014, 584,0
5102, 255050, 4054, 1398, 692, 1505, 4024, 612,0
5103, 255100, 4046, 1434, 663, 1468, 4034, 639,0
5104, 255150, 4037, 1471, 635, 1431, 4042, 667,0
5105, 255200, 4028, 1508, 608, 1395, 4050, 696,0
5106, 255250, 4018, 1546, 580, 1358, 4058, 725,0
5107, 255300, 4007, 1583, 554, 1322, 4064, 755,0
5108, 255350, 3995, 1621, 528, 1286, 4070, 785,0

5109, 255400, 3983, 1659, 502, 1250, 4075, 815,0
5110, 255450, 3970, 1697, 477, 1215, 4080, 846,0
5111, 255500, 3956, 1735, 452, 1180, 4083, 877,0
5112, 255550, 3942, 1773, 429, 1145, 4086, 909,0
5113, 255600, 3927, 1811, 405, 1111, 4089, 941,0
5114, 255650, 3912, 1850, 383, 1076, 4090, 974,0
5115, 255700, 3895, 1888, 360, 1043, 4091, 1007,0
5116, 255750, 3878, 1927, 339, 1009, 4091, 1040,0
5117, 255800, 3861, 1965, 318, 976, 4090, 1074,0
5118, 255850, 3842, 2004, 298, 943, 4089, 1108,0
5119, 255900, 3823, 2042, 278, 911, 4087, 1142,0
5120, 255950, 3804, 2081, 259, 879, 4084, 1177,0
5121, 256000, 3784, 2120, 240, 848, 4081, 1212,0
5122, 256050, 3763, 2158, 222, 817, 4076, 1247,0
5123, 256100, 3742, 2197, 205, 786, 4071, 1282,0
5124, 256150, 3720, 2235, 189, 756, 4066, 1318,0
5125, 256200, 3697, 2273, 173, 726, 4059, 1354,0
5126, 256250, 3674, 2312, 158, 697, 4052, 1391,0
5127, 256300, 3650, 2350, 143, 668, 4044, 1427,0
5128, 256350, 3626, 2388, 129, 640, 4036, 1464,0
5129, 256400, 3601, 2426, 116, 612, 4026, 1501,0
5130, 256450, 3575, 2464, 104, 585, 4016, 1538,0
5131, 256500, 3549, 2502, 92, 558, 4006, 1576,0

5132, 256550, 3523, 2539, 81, 532, 3994, 1613,0
5133, 256600, 3496, 2577, 71, 506, 3982, 1651,0
5134, 256650, 3468, 2614, 61, 481, 3969, 1689,0
5135, 256700, 3440, 2651, 52, 457, 3956, 1727,0
5136, 256750, 3412, 2688, 44, 433, 3942, 1765,0
5137, 256800, 3383, 2724, 36, 409, 3927, 1803,0
5138, 256850, 3353, 2760, 29, 386, 3912, 1841,0
5139, 256900, 3323, 2797, 23, 364, 3895, 1879,0
5140, 256950, 3293, 2832, 18, 342, 3879, 1918,0
5141, 257000, 3262, 2868, 13, 321, 3861, 1956,0
5142, 257050, 3231, 2903, 9, 301, 3843, 1995,0
5143, 257100, 3199, 2938, 6, 281, 3825, 2033,0
5144, 257150, 3167, 2973, 4, 262, 3805, 2072,0
5145, 257200, 3134, 3007, 2, 243, 3785, 2110,0
5146, 257250, 3101, 3041, 1, 225, 3765, 2149,0
5147, 257300, 3068, 3074, 0, 208, 3743, 2187,0
5148, 257350, 3035, 3108, 1, 191, 3722, 2225,0
5149, 257400, 3001, 3140, 2, 175, 3699, 2264,0
5150, 257450, 2966, 3173, 4, 160, 3676, 2302,0
5151, 257500, 2932, 3205, 6, 146, 3653, 2340,0
5152, 257550, 2897, 3237, 10, 132, 3629, 2378,0
5153, 257600, 2861, 3268, 14, 118, 3604, 2416,0
5154, 257650, 2826, 3299, 19, 106, 3579, 2454,0

5155, 257700, 2790, 3329, 24, 94, 3553, 2492,0
5156, 257750, 2754, 3359, 30, 83, 3527, 2529,0
5157, 257800, 2717, 3388, 37, 72, 3500, 2566,0
5158, 257850, 2681, 3417, 45, 62, 3472, 2604,0
5159, 257900, 2644, 3446, 53, 53, 3445, 2640,0
5160, 257950, 2607, 3474, 62, 45, 3416, 2677,0
5161, 258000, 2570, 3501, 72, 37, 3387, 2714,0
5162, 258050, 2532, 3528, 82, 30, 3358, 2750,0
5163, 258100, 2495, 3554, 94, 24, 3328, 2786,0
5164, 258150, 2457, 3580, 105, 18, 3298, 2822,0
5165, 258200, 2419, 3605, 118, 14, 3267, 2857,0
5166, 258250, 2381, 3630, 131, 10, 3236, 2892,0
5167, 258300, 2343, 3654, 145, 6, 3205, 2927,0
5168, 258350, 2305, 3678, 160, 4, 3173, 2962,0
5169, 258400, 2266, 3701, 175, 2, 3140, 2996,0
5170, 258450, 2228, 3724, 191, 0, 3108, 3030,0
5171, 258500, 2190, 3746, 207, 0, 3074, 3064,0
5172, 258550, 2151, 3767, 225, 0, 3041, 3097,0
5173, 258600, 2112, 3787, 243, 1, 3007, 3130,0
5174, 258650, 2074, 3808, 261, 3, 2973, 3162,0
5175, 258700, 2035, 3827, 280, 5, 2938, 3194,0
5176, 258750, 1997, 3846, 300, 9, 2904, 3226,0
5177, 258800, 1958, 3864, 321, 13, 2869, 3257,0

5178, 258850, 1920, 3881, 342, 17, 2833, 3288,0
5179, 258900, 1881, 3898, 363, 23, 2797, 3318,0
5180, 258950, 1843, 3914, 385, 29, 2761, 3348,0
5181, 259000, 1804, 3930, 408, 35, 2725, 3378,0
5182, 259050, 1766, 3945, 432, 43, 2689, 3407,0
5183, 259100, 1728, 3959, 456, 51, 2652, 3435,0
5184, 259150, 1690, 3973, 480, 60, 2615, 3463,0
5185, 259200, 1652, 3985, 505, 70, 2578, 3491,0
5186, 259250, 1614, 3998, 531, 80, 2541, 3518,0
5187, 259300, 1576, 4009, 557, 91, 2503, 3544,0
5188, 259350, 1539, 4020, 584, 103, 2466, 3570,0
5189, 259400, 1502, 4030, 611, 115, 2428, 3595,0
5190, 259450, 1465, 4039, 639, 128, 2390, 3620,0
5191, 259500, 1428, 4048, 667, 142, 2352, 3645,0
5192, 259550, 1391, 4056, 696, 157, 2314, 3668,0
5193, 259600, 1355, 4063, 725, 172, 2276, 3691,0
5194, 259650, 1318, 4069, 755, 187, 2237, 3714,0
5195, 259700, 1282, 4075, 785, 204, 2199, 3736,0
5196, 259750, 1247, 4080, 815, 221, 2160, 3757,0
5197, 259800, 1211, 4085, 846, 239, 2122, 3778,0
5198, 259850, 1176, 4088, 878, 257, 2083, 3798,0
5199, 259900, 1142, 4091, 910, 276, 2045, 3818,0
5200, 259950, 1107, 4093, 942, 296, 2006, 3837,0

5201, 260000, 1073, 4095, 975, 316, 1968, 3855,0
5202, 260050, 1039, 4095, 1008, 337, 1929, 3873,0
5203, 260100, 1006, 4095, 1041, 359, 1891, 3890,0
5204, 260150, 973, 4095, 1075, 381, 1853, 3906,0
5205, 260200, 940, 4093, 1109, 403, 1814, 3922,0
5206, 260250, 908, 4091, 1144, 427, 1776, 3936,0
5207, 260300, 876, 4088, 1178, 451, 1738, 3951,0
5208, 260350, 845, 4084, 1214, 475, 1700, 3964,0
5209, 260400, 814, 4080, 1249, 500, 1662, 3977,0
5210, 260450, 783, 4075, 1285, 526, 1624, 3990,0
5211, 260500, 753, 4069, 1321, 552, 1587, 4001,0
5212, 260550, 723, 4063, 1357, 578, 1549, 4012,0
5213, 260600, 694, 4055, 1393, 605, 1512, 4022,0
5214, 260650, 665, 4047, 1430, 633, 1475, 4032,0
5215, 260700, 637, 4039, 1467, 661, 1438, 4041,0
5216, 260750, 609, 4029, 1504, 690, 1401, 4049,0
5217, 260800, 582, 4019, 1541, 719, 1365, 4056,0
5218, 260850, 555, 4009, 1579, 749, 1329, 4063,0
5219, 260900, 529, 3997, 1616, 779, 1293, 4069,0
5220, 260950, 504, 3985, 1654, 809, 1257, 4074,0
5221, 261000, 479, 3972, 1692, 840, 1222, 4078,0
5222, 261050, 454, 3958, 1730, 872, 1187, 4082,0
5223, 261100, 430, 3944, 1768, 903, 1152, 4085,0

5224, 261150, 407, 3929, 1807, 936, 1117, 4088,0
5225, 261200, 384, 3914, 1845, 968, 1083, 4089,0
5226, 261250, 362, 3898, 1883, 1001, 1050, 4090,0
5227, 261300, 340, 3881, 1922, 1035, 1016, 4090,0
5228, 261350, 319, 3863, 1960, 1068, 983, 4090,0
5229, 261400, 299, 3845, 1999, 1102, 950, 4088,0
5230, 261450, 279, 3826, 2038, 1137, 918, 4086,0
5231, 261500, 260, 3807, 2076, 1171, 886, 4084,0
5232, 261550, 241, 3787, 2115, 1206, 855, 4080,0
5233, 261600, 224, 3766, 2153, 1242, 824, 4076,0
5234, 261650, 206, 3745, 2192, 1277, 793, 4071,0
5235, 261700, 190, 3723, 2230, 1313, 763, 4065,0
5236, 261750, 174, 3700, 2269, 1349, 733, 4059,0
5237, 261800, 159, 3677, 2307, 1386, 704, 4052,0
5238, 261850, 144, 3653, 2345, 1423, 675, 4044,0
5239, 261900, 130, 3629, 2383, 1459, 647, 4036,0
5240, 261950, 117, 3604, 2421, 1496, 619, 4027,0
5241, 262000, 105, 3579, 2459, 1534, 592, 4017,0
5242, 262050, 93, 3553, 2497, 1571, 565, 4006,0
5243, 262100, 82, 3527, 2535, 1609, 539, 3995,0
5244, 262150, 71, 3500, 2572, 1647, 513, 3983,0
5245, 262200, 62, 3472, 2609, 1684, 488, 3970,0
5246, 262250, 53, 3444, 2646, 1723, 463, 3957,0

5247, 262300, 44, 3416, 2683, 1761, 439, 3943,0
5248, 262350, 37, 3387, 2720, 1799, 416, 3928,0
5249, 262400, 30, 3357, 2756, 1837, 393, 3913,0
5250, 262450, 24, 3328, 2792, 1876, 371, 3897,0
5251, 262500, 18, 3297, 2828, 1914, 349, 3880,0
5252, 262550, 13, 3266, 2864, 1953, 328, 3863,0
5253, 262600, 9, 3235, 2899, 1991, 307, 3845,0
5254, 262650, 6, 3203, 2934, 2030, 287, 3826,0
5255, 262700, 4, 3171, 2968, 2068, 268, 3807,0
5256, 262750, 2, 3139, 3003, 2107, 249, 3787,0
5257, 262800, 1, 3106, 3037, 2146, 231, 3766,0
5258, 262850, 0, 3073, 3070, 2184, 214, 3745,0
5259, 262900, 1, 3039, 3104, 2223, 197, 3724,0
5260, 262950, 2, 3005, 3136, 2261, 181, 3701,0
5261, 263000, 4, 2971, 3169, 2299, 166, 3678,0
5262, 263050, 6, 2936, 3201, 2338, 151, 3655,0
5263, 263100, 9, 2902, 3233, 2376, 137, 3631,0
5264, 263150, 13, 2866, 3264, 2414, 124, 3606,0
5265, 263200, 18, 2831, 3295, 2452, 111, 3581,0
5266, 263250, 24, 2795, 3325, 2489, 99, 3555,0
5267, 263300, 30, 2759, 3355, 2527, 88, 3529,0
5268, 263350, 37, 2723, 3385, 2565, 78, 3502,0
5269, 263400, 44, 2686, 3414, 2602, 68, 3475,0

5270, 263450, 53, 2649, 3442, 2639, 59, 3447,0
5271, 263500, 62, 2612, 3470, 2676, 50, 3419,0
5272, 263550, 71, 2575, 3498, 2712, 42, 3390,0
5273, 263600, 82, 2538, 3525, 2749, 35, 3361,0
5274, 263650, 93, 2500, 3551, 2785, 29, 3331,0
5275, 263700, 105, 2462, 3577, 2821, 23, 3301,0
5276, 263750, 117, 2424, 3602, 2856, 18, 3270,0
5277, 263800, 130, 2386, 3627, 2892, 14, 3239,0
5278, 263850, 144, 2348, 3652, 2927, 11, 3208,0
5279, 263900, 159, 2310, 3675, 2961, 8, 3176,0
5280, 263950, 174, 2272, 3698, 2996, 6, 3144,0
5281, 264000, 190, 2233, 3721, 3030, 5, 3111,0
5282, 264050, 206, 2195, 3743, 3063, 4, 3078,0
5283, 264100, 223, 2156, 3764, 3097, 4, 3044,0
5284, 264150, 241, 2118, 3785, 3130, 5, 3011,0
5285, 264200, 260, 2079, 3805, 3162, 7, 2977,0
5286, 264250, 279, 2041, 3825, 3194, 9, 2942,0
5287, 264300, 299, 2002, 3844, 3226, 12, 2907,0
5288, 264350, 319, 1963, 3862, 3258, 16, 2872,0
5289, 264400, 340, 1925, 3879, 3288, 21, 2837,0
5290, 264450, 362, 1886, 3896, 3319, 26, 2801,0
5291, 264500, 384, 1848, 3913, 3349, 32, 2765,0
5292, 264550, 407, 1810, 3928, 3378, 39, 2729,0

5293, 264600, 430, 1771, 3943, 3408, 46, 2693,0
5294, 264650, 454, 1733, 3957, 3436, 54, 2656,0
5295, 264700, 478, 1695, 3971, 3464, 63, 2619,0
5296, 264750, 503, 1657, 3984, 3492, 72, 2582,0
5297, 264800, 529, 1619, 3996, 3519, 83, 2545,0
5298, 264850, 555, 1582, 4008, 3546, 93, 2507,0
5299, 264900, 582, 1544, 4019, 3572, 105, 2470,0
5300, 264950, 609, 1507, 4029, 3597, 117, 2432,0
5301, 265000, 637, 1470, 4038, 3622, 130, 2394,0
5302, 265050, 665, 1433, 4047, 3646, 144, 2356,0
5303, 265100, 694, 1396, 4055, 3670, 158, 2318,0
5304, 265150, 723, 1360, 4062, 3693, 173, 2280,0
5305, 265200, 753, 1323, 4069, 3716, 189, 2242,0
5306, 265250, 783, 1287, 4075, 3738, 205, 2203,0
5307, 265300, 813, 1252, 4080, 3760, 222, 2165,0
5308, 265350, 844, 1216, 4084, 3781, 240, 2126,0
5309, 265400, 876, 1181, 4088, 3801, 258, 2088,0
5310, 265450, 908, 1146, 4091, 3820, 277, 2049,0
5311, 265500, 940, 1112, 4093, 3839, 297, 2011,0
5312, 265550, 972, 1078, 4095, 3858, 317, 1972,0
5313, 265600, 1006, 1044, 4095, 3875, 338, 1934,0
5314, 265650, 1039, 1010, 4096, 3892, 359, 1896,0
5315, 265700, 1073, 977, 4095, 3909, 381, 1857,0

5316, 265750, 1107, 945, 4094, 3925, 404, 1819,0
5317, 265800, 1141, 912, 4091, 3940, 427, 1781,0
5318, 265850, 1176, 880, 4089, 3954, 451, 1742,0
5319, 265900, 1211, 849, 4085, 3968, 475, 1704,0
5320, 265950, 1246, 818, 4081, 3981, 500, 1667,0
5321, 266000, 1282, 787, 4076, 3993, 525, 1629,0
5322, 266050, 1318, 757, 4070, 4005, 551, 1591,0
5323, 266100, 1354, 727, 4064, 4016, 578, 1554,0
5324, 266150, 1391, 698, 4056, 4026, 605, 1516,0
5325, 266200, 1427, 669, 4049, 4036, 632, 1479,0
5326, 266250, 1464, 641, 4040, 4045, 660, 1443,0
5327, 266300, 1501, 613, 4031, 4053, 689, 1406,0
5328, 266350, 1539, 586, 4021, 4060, 718, 1369,0
5329, 266400, 1576, 559, 4010, 4067, 747, 1333,0
5330, 266450, 1614, 533, 3999, 4073, 777, 1297,0
5331, 266500, 1652, 507, 3987, 4078, 808, 1262,0
5332, 266550, 1689, 482, 3974, 4083, 839, 1226,0
5333, 266600, 1728, 457, 3960, 4087, 870, 1191,0
5334, 266650, 1766, 433, 3946, 4090, 902, 1156,0
5335, 266700, 1804, 410, 3931, 4092, 934, 1122,0
5336, 266750, 1842, 387, 3916, 4094, 966, 1088,0
5337, 266800, 1881, 365, 3900, 4095, 999, 1054,0
5338, 266850, 1919, 343, 3883, 4095, 1032, 1020,0

5339, 266900, 1958, 322, 3865, 4094, 1066, 987,0
5340, 266950, 1996, 302, 3847, 4093, 1100, 954,0
5341, 267000, 2035, 282, 3829, 4091, 1134, 922,0
5342, 267050, 2074, 263, 3809, 4089, 1169, 890,0
5343, 267100, 2112, 244, 3789, 4085, 1204, 859,0
5344, 267150, 2151, 226, 3769, 4081, 1239, 828,0
5345, 267200, 2189, 209, 3747, 4076, 1274, 797,0
5346, 267250, 2228, 192, 3726, 4070, 1310, 767,0
5347, 267300, 2266, 176, 3703, 4064, 1346, 737,0
5348, 267350, 2304, 161, 3680, 4057, 1383, 708,0
5349, 267400, 2343, 146, 3656, 4049, 1419, 679,0
5350, 267450, 2381, 132, 3632, 4041, 1456, 650,0
5351, 267500, 2419, 119, 3608, 4032, 1493, 623,0
5352, 267550, 2457, 106, 3582, 4022, 1530, 595,0
5353, 267600, 2495, 94, 3556, 4011, 1567, 568,0
5354, 267650, 2532, 83, 3530, 4000, 1605, 542,0
5355, 267700, 2570, 73, 3503, 3988, 1643, 516,0
5356, 267750, 2607, 63, 3476, 3975, 1680, 491,0
5357, 267800, 2644, 54, 3448, 3962, 1718, 467,0
5358, 267850, 2681, 45, 3419, 3948, 1757, 442,0
5359, 267900, 2717, 38, 3391, 3933, 1795, 419,0
5360, 267950, 2754, 31, 3361, 3918, 1833, 396,0
5361, 268000, 2790, 24, 3331, 3902, 1871, 374,0

5362, 268050, 2826, 19, 3301, 3885, 1910, 352,0
5363, 268100, 2861, 14, 3270, 3868, 1948, 331,0
5364, 268150, 2896, 10, 3239, 3850, 1987, 310,0
5365, 268200, 2931, 7, 3207, 3831, 2025, 290,0
5366, 268250, 2966, 4, 3175, 3812, 2064, 271,0
5367, 268300, 3000, 2, 3143, 3792, 2102, 252,0
5368, 268350, 3034, 1, 3110, 3772, 2141, 234,0
5369, 268400, 3068, 0, 3077, 3751, 2179, 217,0
5370, 268450, 3101, 1, 3044, 3729, 2218, 200,0
5371, 268500, 3134, 2, 3010, 3707, 2256, 184,0
5372, 268550, 3167, 3, 2975, 3684, 2294, 168,0
5373, 268600, 3199, 6, 2941, 3660, 2333, 154,0
5374, 268650, 3231, 9, 2906, 3636, 2371, 139,0
5375, 268700, 3262, 13, 2871, 3612, 2409, 126,0
5376, 268750, 3293, 17, 2835, 3586, 2446, 113,0
5377, 268800, 3323, 23, 2799, 3561, 2484, 101,0
5378, 268850, 3353, 29, 2763, 3534, 2522, 90,0
5379, 268900, 3383, 36, 2727, 3508, 2559, 79,0
5380, 268950, 3412, 43, 2691, 3480, 2596, 69,0
5381, 269000, 3440, 51, 2654, 3453, 2633, 60,0
5382, 269050, 3468, 60, 2617, 3424, 2670, 51,0
5383, 269100, 3496, 70, 2580, 3395, 2707, 44,0
5384, 269150, 3523, 80, 2542, 3366, 2743, 36,0

5385, 269200, 3549, 91, 2505, 3336, 2779, 30,0
5386, 269250, 3575, 103, 2467, 3306, 2815, 24,0
5387, 269300, 3601, 115, 2429, 3275, 2851, 19,0
5388, 269350, 3626, 128, 2391, 3244, 2886, 15,0
5389, 269400, 3650, 142, 2353, 3213, 2921, 11,0
5390, 269450, 3674, 156, 2315, 3181, 2956, 9,0
5391, 269500, 3697, 172, 2277, 3149, 2990, 7,0
5392, 269550, 3719, 187, 2238, 3116, 3024, 5,0
5393, 269600, 3741, 204, 2200, 3083, 3058, 5,0
5394, 269650, 3763, 221, 2161, 3049, 3091, 5,0
5395, 269700, 3784, 239, 2123, 3015, 3124, 5,0
5396, 269750, 3804, 257, 2084, 2981, 3157, 7,0
5397, 269800, 3823, 276, 2045, 2947, 3189, 9,0
5398, 269850, 3842, 296, 2007, 2912, 3220, 12,0
5399, 269900, 3861, 316, 1968, 2877, 3252, 16,0
5400, 269950, 3878, 337, 1930, 2841, 3283, 20,0
5401, 270000, 3895, 358, 1891, 2806, 3313, 25,0
5402, 270050, 3912, 381, 1853, 2770, 3343, 31,0
5403, 270100, 3927, 403, 1814, 2733, 3373, 38,0
5404, 270150, 3942, 427, 1776, 2697, 3402, 45,0
5405, 270200, 3957, 450, 1738, 2660, 3431, 53,0
5406, 270250, 3970, 475, 1700, 2623, 3459, 62,0
5407, 270300, 3983, 500, 1662, 2586, 3486, 71,0

5408, 270350, 3995, 525, 1624, 2549, 3513, 81,0
5409, 270400, 4007, 551, 1586, 2511, 3540, 92,0
5410, 270450, 4018, 578, 1549, 2474, 3566, 104,0
5411, 270500, 4028, 605, 1511, 2436, 3592, 116,0
5412, 270550, 4038, 633, 1474, 2398, 3617, 129,0
5413, 270600, 4046, 661, 1437, 2360, 3641, 142,0
5414, 270650, 4054, 690, 1401, 2322, 3665, 157,0
5415, 270700, 4062, 719, 1364, 2283, 3688, 172,0
5416, 270750, 4068, 748, 1328, 2245, 3711, 187,0
5417, 270800, 4074, 778, 1292, 2206, 3733, 203,0
5418, 270850, 4079, 809, 1256, 2168, 3755, 220,0
5419, 270900, 4084, 840, 1221, 2129, 3775, 238,0
5420, 270950, 4088, 871, 1185, 2091, 3796, 256,0
5421, 271000, 4091, 903, 1151, 2052, 3815, 275,0
5422, 271050, 4093, 935, 1116, 2014, 3834, 294,0
5423, 271100, 4095, 968, 1082, 1975, 3853, 314,0
5424, 271150, 4096, 1001, 1048, 1936, 3871, 335,0
5425, 271200, 4096, 1034, 1015, 1898, 3888, 356,0
5426, 271250, 4095, 1068, 981, 1860, 3904, 378,0
5427, 271300, 4094, 1102, 949, 1821, 3920, 401,0
5428, 271350, 4092, 1136, 916, 1783, 3935, 424,0
5429, 271400, 4089, 1171, 884, 1745, 3950, 448,0
5430, 271450, 4085, 1206, 853, 1706, 3963, 472,0

5431, 271500, 4081, 1241, 822, 1668, 3977, 497,0
5432, 271550, 4076, 1277, 791, 1631, 3989, 522,0
5433, 271600, 4070, 1313, 761, 1593, 4001, 548,0
5434, 271650, 4064, 1349, 731, 1555, 4012, 574,0
5435, 271700, 4057, 1385, 702, 1518, 4022, 601,0
5436, 271750, 4049, 1422, 673, 1481, 4032, 629,0
5437, 271800, 4041, 1459, 644, 1444, 4041, 657,0
5438, 271850, 4031, 1496, 617, 1407, 4049, 685,0
5439, 271900, 4021, 1533, 589, 1370, 4057, 714,0
5440, 271950, 4011, 1571, 562, 1334, 4063, 743,0
5441, 272000, 3999, 1608, 536, 1298, 4069, 773,0
5442, 272050, 3987, 1646, 510, 1262, 4075, 804,0
5443, 272100, 3975, 1684, 485, 1227, 4080, 834,0
5444, 272150, 3961, 1722, 460, 1192, 4083, 865,0
5445, 272200, 3947, 1760, 436, 1157, 4087, 897,0
5446, 272250, 3932, 1799, 413, 1122, 4089, 929,0
5447, 272300, 3917, 1837, 390, 1088, 4091, 962,0
5448, 272350, 3901, 1875, 368, 1054, 4092, 994,0
5449, 272400, 3884, 1914, 346, 1020, 4092, 1028,0
5450, 272450, 3867, 1952, 325, 987, 4092, 1061,0
5451, 272500, 3849, 1991, 304, 954, 4091, 1095,0
5452, 272550, 3830, 2030, 284, 922, 4089, 1129,0
5453, 272600, 3811, 2068, 265, 890, 4086, 1164,0

5454, 272650, 3791, 2107, 246, 858, 4083, 1199,0
5455, 272700, 3770, 2145, 228, 827, 4079, 1234,0
5456, 272750, 3749, 2184, 211, 796, 4074, 1269,0
5457, 272800, 3727, 2222, 194, 766, 4069, 1305,0
5458, 272850, 3705, 2261, 178, 736, 4063, 1341,0
5459, 272900, 3682, 2299, 163, 707, 4056, 1377,0
5460, 272950, 3658, 2337, 148, 678, 4048, 1414,0
5461, 273000, 3634, 2375, 134, 649, 4040, 1450,0
5462, 273050, 3609, 2414, 120, 621, 4031, 1487,0
5463, 273100, 3584, 2451, 108, 594, 4021, 1524,0
5464, 273150, 3558, 2489, 96, 567, 4010, 1562,0
5465, 273200, 3532, 2527, 84, 541, 3999, 1599,0
5466, 273250, 3505, 2564, 74, 515, 3987, 1637,0
5467, 273300, 3478, 2602, 64, 489, 3975, 1675,0
5468, 273350, 3450, 2639, 55, 465, 3962, 1713,0
5469, 273400, 3421, 2675, 46, 441, 3948, 1751,0
5470, 273450, 3393, 2712, 39, 417, 3933, 1789,0
5471, 273500, 3363, 2748, 31, 394, 3918, 1827,0
5472, 273550, 3333, 2785, 25, 371, 3902, 1865,0
5473, 273600, 3303, 2820, 19, 350, 3886, 1904,0
5474, 273650, 3272, 2856, 15, 328, 3868, 1942,0
5475, 273700, 3241, 2891, 10, 308, 3850, 1981,0
5476, 273750, 3210, 2926, 7, 288, 3832, 2019,0

5477, 273800, 3178, 2961, 4, 268, 3813, 2058,0
5478, 273850, 3145, 2996, 2, 249, 3793, 2096,0
5479, 273900, 3113, 3030, 1, 231, 3773, 2135,0
5480, 273950, 3079, 3063, 0, 214, 3752, 2173,0
5481, 274000, 3046, 3097, 0, 197, 3730, 2211,0
5482, 274050, 3012, 3130, 1, 181, 3708, 2250,0
5483, 274100, 2978, 3162, 3, 165, 3685, 2288,0
5484, 274150, 2943, 3194, 5, 150, 3662, 2326,0
5485, 274200, 2908, 3226, 8, 136, 3638, 2364,0
5486, 274250, 2873, 3257, 12, 123, 3613, 2402,0
5487, 274300, 2838, 3288, 17, 110, 3588, 2440,0
5488, 274350, 2802, 3319, 22, 98, 3563, 2478,0
5489, 274400, 2766, 3349, 28, 86, 3537, 2515,0
5490, 274450, 2730, 3379, 35, 76, 3510, 2553,0
5491, 274500, 2693, 3408, 42, 66, 3483, 2590,0
5492, 274550, 2656, 3436, 50, 56, 3455, 2627,0
5493, 274600, 2619, 3464, 59, 48, 3427, 2664,0
5494, 274650, 2582, 3492, 68, 40, 3398, 2700,0
5495, 274700, 2545, 3519, 79, 32, 3369, 2737,0
5496, 274750, 2507, 3546, 90, 26, 3339, 2773,0
5497, 274800, 2470, 3572, 101, 20, 3309, 2809,0
5498, 274850, 2432, 3597, 114, 15, 3279, 2844,0
5499, 274900, 2394, 3622, 127, 11, 3248, 2880,0

5500, 274950, 2356, 3647, 140, 7, 3216, 2915,0
5501, 275000, 2318, 3670, 155, 4, 3184, 2949,0
5502, 275050, 2279, 3694, 170, 2, 3152, 2984,0
5503, 275100, 2241, 3716, 185, 1, 3120, 3018,0
5504, 275150, 2202, 3738, 202, 0, 3087, 3051,0
5505, 275200, 2164, 3760, 219, 0, 3053, 3085,0
5506, 275250, 2125, 3781, 236, 1, 3020, 3118,0
5507, 275300, 2087, 3801, 255, 2, 2986, 3150,0
5508, 275350, 2048, 3821, 274, 5, 2951, 3183,0
5509, 275400, 2010, 3840, 293, 8, 2916, 3214,0
5510, 275450, 1971, 3858, 314, 11, 2881, 3246,0
5511, 275500, 1932, 3876, 334, 16, 2846, 3277,0
5512, 275550, 1894, 3893, 356, 21, 2810, 3307,0
5513, 275600, 1855, 3909, 378, 27, 2775, 3337,0
5514, 275650, 1817, 3925, 400, 33, 2738, 3367,0
5515, 275700, 1779, 3940, 424, 40, 2702, 3396,0
5516, 275750, 1741, 3955, 447, 48, 2665, 3425,0
5517, 275800, 1702, 3968, 472, 57, 2629, 3453,0
5518, 275850, 1664, 3981, 497, 66, 2592, 3481,0
5519, 275900, 1627, 3994, 522, 76, 2554, 3508,0
5520, 275950, 1589, 4005, 548, 87, 2517, 3534,0
5521, 276000, 1551, 4016, 575, 99, 2479, 3560,0
5522, 276050, 1514, 4027, 602, 111, 2442, 3586,0

5523, 276100, 1477, 4036, 629, 124, 2404, 3611,0
5524, 276150, 1440, 4045, 657, 137, 2366, 3635,0
5525, 276200, 1403, 4053, 686, 152, 2328, 3659,0
5526, 276250, 1367, 4061, 715, 167, 2289, 3683,0
5527, 276300, 1330, 4068, 745, 182, 2251, 3706,0
5528, 276350, 1294, 4074, 775, 198, 2213, 3728,0
5529, 276400, 1259, 4079, 805, 215, 2174, 3749,0
5530, 276450, 1223, 4083, 836, 233, 2136, 3770,0
5531, 276500, 1188, 4087, 867, 251, 2097, 3791,0
5532, 276550, 1153, 4090, 899, 270, 2059, 3810,0
5533, 276600, 1118, 4093, 931, 289, 2020, 3829,0
5534, 276650, 1084, 4095, 964, 309, 1982, 3848,0
5535, 276700, 1050, 4095, 997, 330, 1943, 3866,0
5536, 276750, 1017, 4096, 1030, 351, 1905, 3883,0
5537, 276800, 984, 4095, 1064, 373, 1866, 3899,0
5538, 276850, 951, 4094, 1098, 396, 1828, 3915,0
5539, 276900, 918, 4092, 1132, 419, 1790, 3931,0
5540, 276950, 886, 4089, 1167, 443, 1752, 3945,0
5541, 277000, 855, 4086, 1202, 467, 1714, 3959,0
5542, 277050, 824, 4082, 1237, 492, 1676, 3972,0
5543, 277100, 793, 4077, 1273, 517, 1638, 3985,0
5544, 277150, 763, 4071, 1308, 543, 1600, 3996,0
5545, 277200, 733, 4065, 1345, 569, 1563, 4008,0

5546, 277250, 704, 4058, 1381, 596, 1525, 4018,0
5547, 277300, 675, 4050, 1418, 624, 1488, 4028,0
5548, 277350, 646, 4042, 1454, 652, 1451, 4037,0
5549, 277400, 618, 4033, 1491, 680, 1415, 4045,0
5550, 277450, 591, 4023, 1529, 709, 1378, 4053,0
5551, 277500, 564, 4012, 1566, 739, 1342, 4060,0
5552, 277550, 538, 4001, 1604, 769, 1306, 4066,0
5553, 277600, 512, 3989, 1641, 799, 1270, 4071,0
5554, 277650, 487, 3977, 1679, 830, 1235, 4076,0
5555, 277700, 462, 3963, 1717, 861, 1199, 4080,0
5556, 277750, 438, 3949, 1756, 893, 1164, 4083,0
5557, 277800, 414, 3935, 1794, 925, 1130, 4086,0
5558, 277850, 391, 3919, 1832, 957, 1096, 4088,0
5559, 277900, 369, 3903, 1871, 990, 1062, 4089,0
5560, 277950, 347, 3887, 1909, 1023, 1028, 4089,0
5561, 278000, 326, 3869, 1948, 1057, 995, 4089,0
5562, 278050, 305, 3851, 1986, 1091, 962, 4088,0
5563, 278100, 285, 3833, 2025, 1125, 930, 4086,0
5564, 278150, 266, 3813, 2063, 1160, 898, 4084,0
5565, 278200, 247, 3794, 2102, 1195, 866, 4080,0
5566, 278250, 229, 3773, 2141, 1230, 835, 4076,0
5567, 278300, 212, 3752, 2179, 1266, 804, 4072,0
5568, 278350, 195, 3730, 2218, 1301, 774, 4066,0

5569, 278400, 179, 3708, 2256, 1338, 744, 4060,0
5570, 278450, 164, 3685, 2294, 1374, 714, 4053,0
5571, 278500, 149, 3662, 2333, 1410, 685, 4046,0
5572, 278550, 135, 3637, 2371, 1447, 657, 4038,0
5573, 278600, 121, 3613, 2409, 1484, 629, 4029,0
5574, 278650, 109, 3588, 2447, 1521, 602, 4019,0
5575, 278700, 97, 3562, 2485, 1559, 575, 4009,0
5576, 278750, 85, 3536, 2522, 1596, 548, 3998,0
5577, 278800, 75, 3509, 2560, 1634, 522, 3986,0
5578, 278850, 65, 3482, 2597, 1672, 497, 3973,0
5579, 278900, 55, 3454, 2634, 1710, 472, 3960,0
5580, 278950, 47, 3425, 2671, 1748, 448, 3946,0
5581, 279000, 39, 3397, 2708, 1786, 424, 3932,0
5582, 279050, 32, 3367, 2744, 1825, 401, 3917,0
5583, 279100, 25, 3338, 2780, 1863, 379, 3901,0
5584, 279150, 20, 3307, 2816, 1902, 357, 3885,0
5585, 279200, 15, 3277, 2852, 1940, 336, 3867,0
5586, 279250, 11, 3246, 2887, 1979, 315, 3850,0
5587, 279300, 7, 3214, 2922, 2017, 295, 3831,0
5588, 279350, 4, 3182, 2957, 2056, 275, 3812,0
5589, 279400, 2, 3150, 2991, 2094, 256, 3792,0
5590, 279450, 1, 3117, 3025, 2133, 238, 3772,0
5591, 279500, 0, 3084, 3059, 2172, 221, 3751,0

5592, 279550, 0, 3051, 3093, 2210, 204, 3730,0
5593, 279600, 1, 3017, 3126, 2248, 188, 3708,0
5594, 279650, 3, 2983, 3158, 2287, 172, 3685,0
5595, 279700, 5, 2948, 3190, 2325, 157, 3662,0
5596, 279750, 8, 2913, 3222, 2363, 143, 3638,0
5597, 279800, 12, 2878, 3254, 2401, 129, 3613,0
5598, 279850, 16, 2843, 3285, 2439, 116, 3588,0
5599, 279900, 22, 2807, 3315, 2477, 104, 3563,0
5600, 279950, 27, 2771, 3345, 2515, 93, 3537,0
5601, 280000, 34, 2735, 3375, 2552, 82, 3510,0
5602, 280050, 41, 2698, 3404, 2590, 72, 3483,0
5603, 280100, 50, 2662, 3433, 2627, 62, 3455,0
5604, 280150, 58, 2625, 3461, 2664, 54, 3427,0
5605, 280200, 68, 2587, 3489, 2700, 46, 3399,0
5606, 280250, 78, 2550, 3516, 2737, 38, 3370,0
5607, 280300, 89, 2513, 3542, 2773, 32, 3340,0
5608, 280350, 100, 2475, 3569, 2809, 26, 3310,0
5609, 280400, 113, 2437, 3594, 2845, 21, 3280,0
5610, 280450, 126, 2399, 3619, 2880, 16, 3249,0
5611, 280500, 139, 2361, 3644, 2915, 13, 3217,0
5612, 280550, 154, 2323, 3668, 2950, 10, 3186,0
5613, 280600, 169, 2285, 3691, 2985, 7, 3153,0
5614, 280650, 184, 2246, 3714, 3019, 6, 3121,0

5615, 280700, 201, 2208, 3736, 3052, 5, 3088,0
5616, 280750, 218, 2169, 3757, 3086, 5, 3055,0
5617, 280800, 235, 2131, 3778, 3119, 6, 3021,0
5618, 280850, 253, 2092, 3799, 3152, 7, 2987,0
5619, 280900, 272, 2054, 3818, 3184, 9, 2953,0
5620, 280950, 292, 2015, 3837, 3216, 12, 2918,0
5621, 281000, 312, 1976, 3856, 3247, 16, 2883,0
5622, 281050, 333, 1938, 3874, 3278, 20, 2848,0
5623, 281100, 354, 1899, 3891, 3309, 25, 2812,0
5624, 281150, 376, 1861, 3907, 3339, 31, 2776,0
5625, 281200, 399, 1822, 3923, 3369, 37, 2740,0
5626, 281250, 422, 1784, 3938, 3398, 44, 2704,0
5627, 281300, 446, 1746, 3953, 3427, 52, 2667,0
5628, 281350, 470, 1708, 3967, 3455, 61, 2630,0
5629, 281400, 495, 1670, 3980, 3483, 70, 2593,0
5630, 281450, 520, 1632, 3992, 3510, 80, 2556,0
5631, 281500, 546, 1594, 4004, 3537, 91, 2519,0
5632, 281550, 573, 1557, 4015, 3563, 102, 2481,0
5633, 281600, 600, 1519, 4026, 3589, 114, 2444,0
5634, 281650, 627, 1482, 4035, 3614, 127, 2406,0
5635, 281700, 655, 1445, 4044, 3639, 140, 2368,0
5636, 281750, 684, 1408, 4052, 3663, 154, 2330,0
5637, 281800, 713, 1372, 4060, 3686, 169, 2292,0

5638, 281850, 743, 1335, 4067, 3709, 185, 2253,0
5639, 281900, 773, 1299, 4073, 3731, 201, 2215,0
5640, 281950, 803, 1264, 4078, 3753, 218, 2177,0
5641, 282000, 834, 1228, 4083, 3774, 235, 2138,0
5642, 282050, 865, 1193, 4087, 3794, 253, 2100,0
5643, 282100, 897, 1158, 4090, 3814, 272, 2061,0
5644, 282150, 929, 1123, 4093, 3833, 291, 2023,0
5645, 282200, 961, 1089, 4094, 3852, 311, 1984,0
5646, 282250, 994, 1055, 4095, 3870, 332, 1946,0
5647, 282300, 1028, 1021, 4096, 3887, 353, 1907,0
5648, 282350, 1061, 988, 4095, 3904, 375, 1869,0
5649, 282400, 1095, 955, 4094, 3920, 397, 1830,0
5650, 282450, 1130, 923, 4092, 3935, 420, 1792,0
5651, 282500, 1164, 891, 4090, 3950, 444, 1754,0
5652, 282550, 1199, 859, 4086, 3964, 468, 1716,0
5653, 282600, 1235, 828, 4082, 3977, 492, 1678,0
5654, 282650, 1270, 797, 4078, 3990, 518, 1640,0
5655, 282700, 1306, 767, 4072, 4001, 543, 1603,0
5656, 282750, 1342, 737, 4066, 4013, 570, 1565,0
5657, 282800, 1378, 708, 4059, 4023, 597, 1528,0
5658, 282850, 1415, 679, 4051, 4033, 624, 1491,0
5659, 282900, 1452, 650, 4043, 4042, 652, 1454,0
5660, 282950, 1489, 622, 4034, 4050, 680, 1417,0

5661, 283000, 1526, 595, 4024, 4058, 709, 1380,0
5662, 283050, 1564, 568, 4014, 4065, 738, 1344,0
5663, 283100, 1601, 541, 4003, 4071, 768, 1308,0
5664, 283150, 1639, 516, 3991, 4077, 798, 1272,0
5665, 283200, 1677, 490, 3978, 4082, 829, 1237,0
5666, 283250, 1715, 465, 3965, 4086, 860, 1202,0
5667, 283300, 1753, 441, 3951, 4089, 892, 1167,0
5668, 283350, 1791, 418, 3936, 4092, 924, 1132,0
5669, 283400, 1830, 395, 3921, 4094, 956, 1098,0
5670, 283450, 1868, 372, 3905, 4095, 989, 1064,0
5671, 283500, 1906, 350, 3889, 4095, 1022, 1030,0
5672, 283550, 1945, 329, 3871, 4095, 1056, 997,0
5673, 283600, 1984, 308, 3854, 4094, 1089, 964,0
5674, 283650, 2022, 288, 3835, 4092, 1124, 932,0
5675, 283700, 2061, 269, 3816, 4090, 1158, 900,0
5676, 283750, 2099, 250, 3796, 4087, 1193, 868,0
5677, 283800, 2138, 232, 3776, 4083, 1228, 837,0
5678, 283850, 2176, 214, 3755, 4078, 1263, 806,0
5679, 283900, 2215, 197, 3733, 4073, 1299, 775,0
5680, 283950, 2253, 181, 3711, 4067, 1335, 746,0
5681, 284000, 2292, 166, 3688, 4060, 1371, 716,0
5682, 284050, 2330, 151, 3665, 4052, 1408, 687,0
5683, 284100, 2368, 137, 3641, 4044, 1445, 659,0

5684, 284150, 2406, 123, 3616, 4035, 1481, 631,0
5685, 284200, 2444, 110, 3591, 4026, 1519, 603,0
5686, 284250, 2482, 98, 3565, 4015, 1556, 576,0
5687, 284300, 2520, 87, 3539, 4004, 1593, 550,0
5688, 284350, 2557, 76, 3512, 3993, 1631, 524,0
5689, 284400, 2594, 66, 3485, 3980, 1669, 498,0
5690, 284450, 2631, 57, 3457, 3967, 1707, 473,0
5691, 284500, 2668, 48, 3429, 3953, 1745, 449,0
5692, 284550, 2705, 40, 3400, 3939, 1783, 425,0
5693, 284600, 2741, 33, 3371, 3924, 1821, 402,0
5694, 284650, 2778, 26, 3341, 3908, 1859, 380,0
5695, 284700, 2814, 20, 3311, 3891, 1898, 358,0
5696, 284750, 2849, 15, 3281, 3874, 1936, 336,0
5697, 284800, 2885, 11, 3250, 3856, 1975, 316,0
5698, 284850, 2920, 7, 3218, 3838, 2013, 295,0
5699, 284900, 2955, 5, 3186, 3819, 2052, 276,0
5700, 284950, 2989, 2, 3154, 3799, 2090, 257,0
5701, 285000, 3023, 1, 3121, 3779, 2129, 239,0
5702, 285050, 3057, 0, 3088, 3758, 2167, 221,0
5703, 285100, 3090, 0, 3055, 3737, 2206, 204,0
5704, 285150, 3123, 1, 3021, 3714, 2244, 188,0
5705, 285200, 3156, 2, 2987, 3692, 2283, 172,0
5706, 285250, 3188, 5, 2952, 3668, 2321, 157,0

5707, 285300, 3220, 8, 2918, 3645, 2359, 143,0
5708, 285350, 3252, 11, 2883, 3620, 2397, 129,0
5709, 285400, 3283, 16, 2847, 3595, 2435, 116,0
5710, 285450, 3313, 21, 2811, 3570, 2473, 104,0
5711, 285500, 3343, 27, 2776, 3544, 2510, 92,0
5712, 285550, 3373, 33, 2739, 3517, 2548, 81,0
5713, 285600, 3402, 40, 2703, 3490, 2585, 71,0
5714, 285650, 3431, 48, 2666, 3462, 2622, 62,0
5715, 285700, 3459, 57, 2629, 3434, 2659, 53,0
5716, 285750, 3487, 66, 2592, 3405, 2696, 45,0
5717, 285800, 3514, 76, 2555, 3376, 2732, 37,0
5718, 285850, 3541, 87, 2517, 3347, 2768, 31,0
5719, 285900, 3567, 99, 2480, 3317, 2804, 25,0
5720, 285950, 3592, 111, 2442, 3286, 2840, 20,0
5721, 286000, 3618, 124, 2404, 3255, 2875, 15,0
5722, 286050, 3642, 137, 2366, 3224, 2910, 11,0
5723, 286100, 3666, 151, 2328, 3192, 2945, 8,0
5724, 286150, 3689, 166, 2289, 3160, 2980, 6,0
5725, 286200, 3712, 182, 2251, 3127, 3014, 4,0
5726, 286250, 3734, 198, 2213, 3094, 3048, 3,0
5727, 286300, 3756, 215, 2174, 3061, 3081, 3,0
5728, 286350, 3777, 233, 2136, 3027, 3114, 4,0
5729, 286400, 3797, 251, 2097, 2993, 3147, 5,0

5730, 286450, 3817, 270, 2058, 2959, 3179, 7,0
5731, 286500, 3836, 289, 2020, 2924, 3211, 10,0
5732, 286550, 3855, 309, 1981, 2889, 3242, 13,0
5733, 286600, 3873, 330, 1943, 2853, 3274, 17,0
5734, 286650, 3890, 351, 1904, 2818, 3304, 22,0
5735, 286700, 3906, 373, 1866, 2782, 3334, 28,0
5736, 286750, 3922, 396, 1827, 2746, 3364, 34,0
5737, 286800, 3937, 419, 1789, 2709, 3393, 41,0
5738, 286850, 3952, 442, 1751, 2673, 3422, 49,0
5739, 286900, 3966, 467, 1712, 2636, 3450, 58,0
5740, 286950, 3979, 491, 1674, 2599, 3478, 67,0
5741, 287000, 3991, 517, 1637, 2561, 3506, 77,0
5742, 287050, 4003, 543, 1599, 2524, 3532, 87,0
5743, 287100, 4014, 569, 1561, 2486, 3559, 99,0
5744, 287150, 4025, 596, 1524, 2449, 3584, 111,0
5745, 287200, 4035, 623, 1487, 2411, 3609, 123,0
5746, 287250, 4044, 651, 1450, 2373, 3634, 137,0
5747, 287300, 4052, 680, 1413, 2334, 3658, 151,0
5748, 287350, 4059, 709, 1376, 2296, 3682, 165,0
5749, 287400, 4066, 738, 1340, 2258, 3704, 181,0
5750, 287450, 4073, 768, 1304, 2219, 3727, 197,0
5751, 287500, 4078, 799, 1268, 2181, 3748, 213,0
5752, 287550, 4083, 829, 1232, 2142, 3770, 231,0

5753, 287600, 4087, 861, 1197, 2104, 3790, 249,0
5754, 287650, 4090, 892, 1162, 2065, 3810, 267,0
5755, 287700, 4093, 924, 1128, 2027, 3829, 287,0
5756, 287750, 4094, 957, 1093, 1988, 3848, 306,0
5757, 287800, 4095, 990, 1059, 1950, 3866, 327,0
5758, 287850, 4096, 1023, 1026, 1911, 3883, 348,0
5759, 287900, 4095, 1057, 992, 1873, 3900, 370,0
5760, 287950, 4094, 1090, 959, 1834, 3916, 392,0
5761, 288000, 4093, 1125, 927, 1796, 3931, 415,0
5762, 288050, 4090, 1159, 895, 1757, 3946, 438,0
5763, 288100, 4087, 1194, 863, 1719, 3960, 462,0
5764, 288150, 4083, 1230, 832, 1681, 3973, 487,0
5765, 288200, 4078, 1265, 801, 1643, 3986, 512,0
5766, 288250, 4073, 1301, 771, 1606, 3998, 538,0
5767, 288300, 4066, 1337, 741, 1568, 4009, 564,0
5768, 288350, 4060, 1373, 711, 1531, 4020, 591,0
5769, 288400, 4052, 1410, 682, 1493, 4030, 618,0
5770, 288450, 4044, 1447, 654, 1456, 4039, 646,0
5771, 288500, 4035, 1484, 626, 1419, 4047, 674,0
5772, 288550, 4025, 1521, 598, 1383, 4055, 703,0
5773, 288600, 4015, 1558, 571, 1346, 4062, 732,0
5774, 288650, 4003, 1596, 545, 1310, 4069, 762,0
5775, 288700, 3992, 1634, 519, 1274, 4074, 792,0

5776, 288750, 3979, 1671, 493, 1239, 4079, 823,0
5777, 288800, 3966, 1709, 469, 1204, 4083, 854,0
5778, 288850, 3952, 1748, 444, 1168, 4087, 885,0
5779, 288900, 3938, 1786, 420, 1134, 4089, 917,0
5780, 288950, 3922, 1824, 397, 1099, 4091, 950,0
5781, 289000, 3906, 1862, 375, 1065, 4093, 982,0
5782, 289050, 3890, 1901, 353, 1032, 4093, 1015,0
5783, 289100, 3873, 1940, 331, 998, 4093, 1049,0
5784, 289150, 3855, 1978, 311, 965, 4092, 1082,0
5785, 289200, 3836, 2017, 291, 933, 4091, 1117,0
5786, 289250, 3817, 2055, 271, 901, 4088, 1151,0
5787, 289300, 3797, 2094, 252, 869, 4085, 1186,0
5788, 289350, 3777, 2132, 234, 838, 4081, 1221,0
5789, 289400, 3756, 2171, 216, 807, 4077, 1256,0
5790, 289450, 3735, 2209, 199, 776, 4072, 1292,0
5791, 289500, 3712, 2248, 183, 746, 4066, 1328,0
5792, 289550, 3690, 2286, 168, 717, 4059, 1364,0
5793, 289600, 3666, 2325, 153, 687, 4052, 1400,0
5794, 289650, 3642, 2363, 138, 659, 4044, 1437,0
5795, 289700, 3618, 2401, 125, 631, 4035, 1474,0
5796, 289750, 3593, 2439, 112, 603, 4025, 1511,0
5797, 289800, 3567, 2477, 100, 576, 4015, 1548,0
5798, 289850, 3541, 2514, 88, 549, 4004, 1586,0

5799, 289900, 3514, 2552, 77, 523, 3993, 1623,0
5800, 289950, 3487, 2589, 67, 498, 3980, 1661,0
5801, 290000, 3459, 2626, 58, 473, 3967, 1699,0
5802, 290050, 3431, 2663, 49, 449, 3954, 1737,0
5803, 290100, 3402, 2700, 41, 425, 3939, 1775,0
5804, 290150, 3373, 2736, 34, 402, 3924, 1813,0
5805, 290200, 3344, 2773, 27, 379, 3909, 1851,0
5806, 290250, 3313, 2809, 21, 357, 3892, 1890,0
5807, 290300, 3283, 2844, 16, 335, 3875, 1928,0
5808, 290350, 3252, 2880, 12, 315, 3858, 1967,0
5809, 290400, 3220, 2915, 8, 294, 3839, 2005,0
5810, 290450, 3188, 2950, 5, 275, 3820, 2044,0
5811, 290500, 3156, 2984, 3, 256, 3801, 2082,0
5812, 290550, 3124, 3018, 1, 237, 3781, 2121,0
5813, 290600, 3091, 3052, 0, 220, 3760, 2159,0
5814, 290650, 3057, 3086, 0, 203, 3738, 2198,0
5815, 290700, 3023, 3119, 1, 186, 3716, 2236,0
5816, 290750, 2989, 3151, 2, 170, 3694, 2274,0
5817, 290800, 2955, 3184, 4, 155, 3671, 2312,0
5818, 290850, 2920, 3216, 7, 141, 3647, 2351,0
5819, 290900, 2885, 3247, 11, 127, 3623, 2389,0
5820, 290950, 2850, 3278, 15, 114, 3598, 2426,0
5821, 291000, 2814, 3309, 20, 102, 3572, 2464,0

5822, 291050, 2778, 3339, 26, 90, 3546, 2502,0
5823, 291100, 2742, 3369, 32, 79, 3520, 2539,0
5824, 291150, 2705, 3398, 39, 69, 3493, 2577,0
5825, 291200, 2669, 3427, 47, 59, 3465, 2614,0
5826, 291250, 2632, 3455, 56, 50, 3437, 2650,0
5827, 291300, 2595, 3483, 65, 42, 3409, 2687,0
5828, 291350, 2557, 3510, 75, 35, 3380, 2724,0
5829, 291400, 2520, 3537, 86, 28, 3350, 2760,0
5830, 291450, 2482, 3563, 97, 22, 3320, 2796,0
5831, 291500, 2444, 3589, 109, 17, 3290, 2831,0
5832, 291550, 2407, 3614, 122, 12, 3259, 2867,0
5833, 291600, 2368, 3639, 136, 8, 3228, 2902,0
5834, 291650, 2330, 3663, 150, 5, 3196, 2937,0
5835, 291700, 2292, 3686, 164, 3, 3164, 2971,0
5836, 291750, 2254, 3709, 180, 1, 3132, 3005,0
5837, 291800, 2215, 3731, 196, 0, 3099, 3039,0
5838, 291850, 2177, 3753, 213, 0, 3065, 3073,0
5839, 291900, 2138, 3774, 230, 1, 3032, 3106,0
5840, 291950, 2100, 3794, 248, 2, 2998, 3138,0
5841, 292000, 2061, 3814, 267, 4, 2964, 3171,0
5842, 292050, 2022, 3834, 287, 7, 2929, 3203,0
5843, 292100, 1984, 3852, 307, 10, 2894, 3234,0
5844, 292150, 1945, 3870, 327, 14, 2859, 3265,0

5845, 292200, 1907, 3887, 348, 19, 2823, 3296,0
5846, 292250, 1868, 3904, 370, 25, 2788, 3326,0
5847, 292300, 1830, 3920, 393, 31, 2751, 3356,0
5848, 292350, 1791, 3935, 416, 38, 2715, 3385,0
5849, 292400, 1753, 3950, 439, 46, 2679, 3414,0
5850, 292450, 1715, 3964, 464, 54, 2642, 3442,0
5851, 292500, 1677, 3977, 488, 63, 2605, 3470,0
5852, 292550, 1639, 3990, 514, 73, 2568, 3498,0
5853, 292600, 1601, 4002, 539, 84, 2530, 3524,0
5854, 292650, 1564, 4013, 566, 95, 2493, 3551,0
5855, 292700, 1526, 4023, 593, 107, 2455, 3577,0
5856, 292750, 1489, 4033, 620, 120, 2417, 3602,0
5857, 292800, 1452, 4042, 648, 133, 2379, 3626,0
5858, 292850, 1415, 4051, 676, 147, 2341, 3650,0
5859, 292900, 1379, 4058, 705, 162, 2303, 3674,0
5860, 292950, 1342, 4065, 735, 177, 2265, 3697,0
5861, 293000, 1306, 4072, 765, 193, 2226, 3719,0
5862, 293050, 1270, 4077, 795, 210, 2188, 3741,0
5863, 293100, 1235, 4082, 826, 227, 2150, 3762,0
5864, 293150, 1200, 4086, 857, 245, 2111, 3783,0
5865, 293200, 1165, 4090, 888, 264, 2073, 3803,0
5866, 293250, 1130, 4092, 920, 283, 2034, 3822,0
5867, 293300, 1096, 4094, 953, 303, 1996, 3841,0

5868, 293350, 1062, 4095, 986, 323, 1957, 3859,0
5869, 293400, 1028, 4096, 1019, 344, 1919, 3876,0
5870, 293450, 995, 4096, 1052, 366, 1880, 3893,0
5871, 293500, 962, 4095, 1086, 388, 1842, 3909,0
5872, 293550, 929, 4093, 1121, 411, 1803, 3925,0
5873, 293600, 897, 4090, 1155, 435, 1765, 3939,0
5874, 293650, 865, 4087, 1190, 459, 1727, 3953,0
5875, 293700, 834, 4083, 1225, 484, 1689, 3967,0
5876, 293750, 803, 4079, 1261, 509, 1651, 3980,0
5877, 293800, 773, 4073, 1296, 534, 1614, 3992,0
5878, 293850, 743, 4067, 1332, 561, 1576, 4003,0
5879, 293900, 713, 4061, 1369, 588, 1539, 4014,0
5880, 293950, 684, 4053, 1405, 615, 1501, 4024,0
5881, 294000, 656, 4045, 1442, 643, 1464, 4033,0
5882, 294050, 628, 4036, 1479, 671, 1428, 4041,0
5883, 294100, 600, 4026, 1516, 700, 1391, 4049,0
5884, 294150, 573, 4016, 1554, 729, 1355, 4056,0
5885, 294200, 547, 4005, 1591, 759, 1319, 4063,0
5886, 294250, 521, 3993, 1629, 789, 1283, 4068,0
5887, 294300, 495, 3981, 1667, 820, 1247, 4073,0
5888, 294350, 470, 3968, 1705, 851, 1212, 4078,0
5889, 294400, 446, 3954, 1743, 882, 1177, 4081,0
5890, 294450, 422, 3940, 1781, 914, 1142, 4084,0

5891, 294500, 399, 3924, 1819, 947, 1108, 4086,0
5892, 294550, 376, 3909, 1858, 979, 1074, 4088,0
5893, 294600, 354, 3892, 1896, 1012, 1040, 4088,0
5894, 294650, 333, 3875, 1935, 1046, 1007, 4088,0
5895, 294700, 312, 3857, 1973, 1080, 974, 4087,0
5896, 294750, 292, 3839, 2012, 1114, 941, 4086,0
5897, 294800, 272, 3820, 2051, 1149, 909, 4083,0
5898, 294850, 254, 3800, 2089, 1183, 877, 4080,0
5899, 294900, 235, 3780, 2128, 1218, 846, 4077,0
5900, 294950, 218, 3759, 2166, 1254, 815, 4072,0
5901, 295000, 201, 3738, 2205, 1290, 785, 4067,0
5902, 295050, 184, 3715, 2243, 1326, 755, 4061,0
5903, 295100, 169, 3693, 2282, 1362, 725, 4055,0
5904, 295150, 154, 3670, 2320, 1398, 696, 4047,0
5905, 295200, 139, 3646, 2358, 1435, 667, 4039,0
5906, 295250, 126, 3621, 2396, 1472, 639, 4031,0
5907, 295300, 113, 3596, 2434, 1509, 612, 4021,0
5908, 295350, 100, 3571, 2472, 1546, 584, 4011,0
5909, 295400, 89, 3545, 2510, 1584, 558, 4000,0
5910, 295450, 78, 3518, 2547, 1622, 532, 3989,0
5911, 295500, 68, 3491, 2585, 1659, 506, 3977,0
5912, 295550, 58, 3463, 2622, 1697, 481, 3964,0
5913, 295600, 49, 3435, 2659, 1736, 457, 3950,0

5914, 295650, 41, 3406, 2695, 1774, 433, 3936,0
5915, 295700, 34, 3377, 2732, 1812, 410, 3921,0
5916, 295750, 27, 3348, 2768, 1850, 387, 3905,0
5917, 295800, 21, 3318, 2804, 1889, 365, 3889,0
5918, 295850, 16, 3287, 2840, 1927, 343, 3872,0
5919, 295900, 12, 3256, 2875, 1966, 322, 3855,0
5920, 295950, 8, 3225, 2911, 2005, 302, 3836,0
5921, 296000, 5, 3193, 2945, 2043, 283, 3818,0
5922, 296050, 3, 3161, 2980, 2082, 263, 3798,0
5923, 296100, 1, 3128, 3014, 2120, 245, 3778,0
5924, 296150, 0, 3095, 3048, 2159, 227, 3757,0
5925, 296200, 0, 3062, 3082, 2197, 210, 3736,0
5926, 296250, 1, 3028, 3115, 2236, 194, 3714,0
5927, 296300, 2, 2994, 3147, 2274, 178, 3692,0
5928, 296350, 4, 2960, 3180, 2313, 163, 3668,0
5929, 296400, 7, 2925, 3212, 2351, 148, 3645,0
5930, 296450, 10, 2890, 3243, 2389, 135, 3621,0
5931, 296500, 15, 2855, 3274, 2427, 121, 3596,0
5932, 296550, 20, 2819, 3305, 2465, 109, 3570,0
5933, 296600, 25, 2783, 3335, 2502, 97, 3545,0
5934, 296650, 32, 2747, 3365, 2540, 86, 3518,0
5935, 296700, 39, 2711, 3394, 2577, 76, 3491,0
5936, 296750, 47, 2674, 3423, 2615, 66, 3464,0

5937, 296800, 55, 2637, 3452, 2652, 57, 3436,0
5938, 296850, 64, 2600, 3480, 2688, 49, 3407,0
5939, 296900, 74, 2563, 3507, 2725, 41, 3378,0
5940, 296950, 85, 2525, 3534, 2761, 35, 3349,0
5941, 297000, 96, 2488, 3560, 2797, 29, 3319,0
5942, 297050, 108, 2450, 3586, 2833, 23, 3289,0
5943, 297100, 121, 2412, 3611, 2869, 19, 3258,0
5944, 297150, 135, 2374, 3636, 2904, 15, 3227,0
5945, 297200, 149, 2336, 3660, 2939, 11, 3195,0
5946, 297250, 163, 2297, 3683, 2973, 9, 3163,0
5947, 297300, 179, 2259, 3706, 3008, 7, 3131,0
5948, 297350, 195, 2221, 3729, 3041, 6, 3098,0
5949, 297400, 212, 2182, 3750, 3075, 6, 3065,0
5950, 297450, 229, 2144, 3772, 3108, 6, 3031,0
5951, 297500, 247, 2105, 3792, 3141, 7, 2997,0
5952, 297550, 266, 2066, 3812, 3174, 9, 2963,0
5953, 297600, 285, 2028, 3831, 3206, 12, 2928,0
5954, 297650, 305, 1989, 3850, 3237, 15, 2894,0
5955, 297700, 326, 1951, 3868, 3268, 19, 2858,0
5956, 297750, 347, 1912, 3885, 3299, 24, 2823,0
5957, 297800, 369, 1874, 3902, 3329, 29, 2787,0
5958, 297850, 391, 1835, 3918, 3359, 36, 2751,0
5959, 297900, 414, 1797, 3933, 3389, 43, 2715,0

5960, 297950, 438, 1759, 3948, 3418, 50, 2678,0
5961, 298000, 462, 1720, 3962, 3446, 59, 2642,0
5962, 298050, 487, 1682, 3976, 3474, 68, 2605,0
5963, 298100, 512, 1644, 3988, 3502, 77, 2568,0
5964, 298150, 538, 1607, 4000, 3528, 88, 2530,0
5965, 298200, 564, 1569, 4012, 3555, 99, 2493,0
5966, 298250, 591, 1532, 4022, 3581, 111, 2455,0
5967, 298300, 618, 1494, 4032, 3606, 123, 2417,0
5968, 298350, 646, 1457, 4041, 3631, 137, 2379,0
5969, 298400, 674, 1420, 4050, 3655, 150, 2341,0
5970, 298450, 703, 1384, 4058, 3679, 165, 2303,0
5971, 298500, 733, 1347, 4065, 3702, 180, 2265,0
5972, 298550, 762, 1311, 4071, 3724, 196, 2227,0
5973, 298600, 793, 1275, 4077, 3746, 213, 2188,0
5974, 298650, 823, 1240, 4082, 3767, 230, 2150,0
5975, 298700, 855, 1204, 4086, 3788, 248, 2111,0
5976, 298750, 886, 1169, 4089, 3808, 266, 2073,0
5977, 298800, 918, 1135, 4092, 3827, 285, 2034,0
5978, 298850, 951, 1100, 4094, 3846, 305, 1996,0
5979, 298900, 983, 1066, 4095, 3864, 326, 1957,0
5980, 298950, 1016, 1033, 4096, 3882, 347, 1919,0
5981, 299000, 1050, 999, 4096, 3899, 368, 1880,0
5982, 299050, 1084, 966, 4095, 3915, 390, 1842,0

5983, 299100, 1118, 934, 4093, 3930, 413, 1804,0
5984, 299150, 1153, 902, 4091, 3945, 436, 1766,0
5985, 299200, 1188, 870, 4088, 3959, 460, 1728,0
5986, 299250, 1223, 838, 4084, 3973, 485, 1690,0
5987, 299300, 1258, 807, 4079, 3986, 510, 1652,0
5988, 299350, 1294, 777, 4074, 3998, 536, 1614,0
5989, 299400, 1330, 747, 4068, 4009, 562, 1576,0
5990, 299450, 1366, 717, 4062, 4020, 588, 1539,0
5991, 299500, 1403, 688, 4054, 4030, 616, 1502,0
5992, 299550, 1440, 660, 4046, 4039, 643, 1465,0
5993, 299600, 1477, 631, 4037, 4048, 672, 1428,0
5994, 299650, 1514, 604, 4028, 4056, 700, 1391,0
5995, 299700, 1551, 577, 4017, 4063, 729, 1355,0
5996, 299750, 1589, 550, 4006, 4070, 759, 1319,0
5997, 299800, 1626, 524, 3995, 4075, 789, 1283,0
5998, 299850, 1664, 499, 3983, 4080, 820, 1247,0
5999, 299900, 1702, 474, 3970, 4085, 851, 1212,0
6000, 299950, 1740, 449, 3956, 4088, 882, 1177,0
6001, 300000, 1778, 425, 3941, 4091, 914, 1142,0
6002, 300050, 1817, 402, 3926, 4093, 946, 1108,0
6003, 300100, 1855, 379, 3911, 4095, 979, 1074,0
6004, 300150, 1894, 357, 3894, 4095, 1012, 1040,0
6005, 300200, 1932, 336, 3877, 4095, 1045, 1007,0

6006, 300250, 1971, 315, 3860, 4095, 1079, 974,0
6007, 300300, 2009, 295, 3841, 4093, 1113, 941,0
6008, 300350, 2048, 275, 3822, 4091, 1147, 909,0
6009, 300400, 2086, 256, 3803, 4088, 1182, 877,0
6010, 300450, 2125, 238, 3783, 4084, 1217, 846,0
6011, 300500, 2164, 220, 3762, 4080, 1253, 815,0
6012, 300550, 2202, 203, 3740, 4075, 1288, 784,0
6013, 300600, 2241, 186, 3718, 4069, 1324, 754,0
6014, 300650, 2279, 171, 3696, 4063, 1360, 725,0
6015, 300700, 2317, 156, 3672, 4055, 1397, 696,0
6016, 300750, 2355, 141, 3649, 4047, 1433, 667,0
6017, 300800, 2394, 127, 3624, 4039, 1470, 639,0
6018, 300850, 2432, 114, 3599, 4029, 1507, 611,0
6019, 300900, 2469, 102, 3574, 4019, 1544, 584,0
6020, 300950, 2507, 90, 3548, 4008, 1582, 557,0
6021, 301000, 2545, 79, 3521, 3997, 1619, 531,0
6022, 301050, 2582, 69, 3494, 3985, 1657, 505,0
6023, 301100, 2619, 59, 3467, 3972, 1695, 480,0
6024, 301150, 2656, 51, 3439, 3958, 1733, 456,0
6025, 301200, 2693, 42, 3410, 3944, 1771, 432,0
6026, 301250, 2729, 35, 3381, 3929, 1809, 409,0
6027, 301300, 2766, 28, 3351, 3913, 1848, 386,0
6028, 301350, 2802, 22, 3321, 3897, 1886, 364,0

6029, 301400, 2837, 17, 3291, 3880, 1924, 342,0
6030, 301450, 2873, 12, 3260, 3863, 1963, 321,0
6031, 301500, 2908, 8, 3229, 3845, 2001, 301,0
6032, 301550, 2943, 5, 3197, 3826, 2040, 281,0
6033, 301600, 2978, 3, 3165, 3806, 2078, 262,0
6034, 301650, 3012, 1, 3132, 3786, 2117, 244,0
6035, 301700, 3046, 0, 3099, 3765, 2155, 226,0
6036, 301750, 3079, 0, 3066, 3744, 2194, 209,0
6037, 301800, 3112, 1, 3032, 3722, 2232, 192,0
6038, 301850, 3145, 2, 2998, 3700, 2271, 176,0
6039, 301900, 3178, 4, 2964, 3677, 2309, 161,0
6040, 301950, 3210, 6, 2929, 3653, 2347, 146,0
6041, 302000, 3241, 10, 2894, 3629, 2385, 132,0
6042, 302050, 3272, 14, 2859, 3604, 2423, 119,0
6043, 302100, 3303, 19, 2823, 3578, 2461, 107,0
6044, 302150, 3333, 24, 2788, 3553, 2499, 95,0
6045, 302200, 3363, 31, 2751, 3526, 2536, 84,0
6046, 302250, 3392, 38, 2715, 3499, 2573, 73,0
6047, 302300, 3421, 45, 2678, 3472, 2611, 64,0
6048, 302350, 3450, 54, 2642, 3444, 2648, 55,0
6049, 302400, 3478, 63, 2605, 3415, 2684, 46,0
6050, 302450, 3505, 73, 2567, 3386, 2721, 39,0
6051, 302500, 3532, 83, 2530, 3357, 2757, 32,0

6052, 302550, 3558, 95, 2492, 3327, 2793, 26,0
6053, 302600, 3584, 107, 2455, 3296, 2829, 20,0
6054, 302650, 3609, 119, 2417, 3266, 2864, 15,0
6055, 302700, 3634, 133, 2379, 3234, 2900, 11,0
6056, 302750, 3658, 147, 2340, 3203, 2934, 8,0
6057, 302800, 3682, 161, 2302, 3171, 2969, 5,0
6058, 302850, 3705, 177, 2264, 3138, 3003, 4,0
6059, 302900, 3727, 193, 2225, 3105, 3037, 2,0
6060, 302950, 3749, 209, 2187, 3072, 3071, 2,0
6061, 303000, 3770, 227, 2148, 3038, 3104, 2,0
6062, 303050, 3791, 245, 2110, 3005, 3137, 3,0
6063, 303100, 3811, 263, 2071, 2970, 3169, 5,0
6064, 303150, 3830, 282, 2033, 2936, 3201, 8,0
6065, 303200, 3849, 302, 1994, 2901, 3233, 11,0
6066, 303250, 3867, 323, 1955, 2865, 3264, 15,0
6067, 303300, 3884, 344, 1917, 2830, 3295, 19,0
6068, 303350, 3901, 366, 1878, 2794, 3325, 25,0
6069, 303400, 3917, 388, 1840, 2758, 3355, 31,0
6070, 303450, 3932, 411, 1802, 2722, 3385, 38,0
6071, 303500, 3947, 434, 1763, 2685, 3414, 45,0
6072, 303550, 3961, 458, 1725, 2648, 3442, 54,0
6073, 303600, 3975, 483, 1687, 2611, 3470, 63,0
6074, 303650, 3987, 508, 1649, 2574, 3497, 72,0

6075, 303700, 4000, 534, 1611, 2537, 3524, 83,0
6076, 303750, 4011, 560, 1574, 2499, 3551, 94,0
6077, 303800, 4022, 587, 1536, 2461, 3577, 105,0
6078, 303850, 4031, 614, 1499, 2424, 3602, 118,0
6079, 303900, 4041, 642, 1462, 2386, 3627, 131,0
6080, 303950, 4049, 670, 1425, 2347, 3651, 145,0
6081, 304000, 4057, 699, 1388, 2309, 3675, 159,0
6082, 304050, 4064, 728, 1352, 2271, 3698, 174,0
6083, 304100, 4071, 758, 1316, 2232, 3720, 190,0
6084, 304150, 4076, 788, 1280, 2194, 3742, 207,0
6085, 304200, 4081, 819, 1244, 2155, 3764, 224,0
6086, 304250, 4086, 850, 1209, 2117, 3784, 241,0
6087, 304300, 4089, 882, 1174, 2078, 3804, 260,0
6088, 304350, 4092, 914, 1139, 2040, 3824, 279,0
6089, 304400, 4094, 946, 1105, 2001, 3843, 299,0
6090, 304450, 4095, 979, 1070, 1963, 3861, 319,0
6091, 304500, 4096, 1012, 1037, 1924, 3878, 340,0
6092, 304550, 4096, 1045, 1003, 1885, 3895, 361,0
6093, 304600, 4095, 1079, 970, 1847, 3912, 383,0
6094, 304650, 4093, 1113, 938, 1809, 3927, 406,0
6095, 304700, 4091, 1148, 905, 1770, 3942, 429,0
6096, 304750, 4088, 1183, 874, 1732, 3956, 453,0
6097, 304800, 4084, 1218, 842, 1694, 3970, 478,0

6098, 304850, 4080, 1253, 811, 1656, 3983, 503,0
6099, 304900, 4075, 1289, 781, 1618, 3995, 528,0
6100, 304950, 4069, 1325, 751, 1581, 4007, 554,0
6101, 305000, 4062, 1361, 721, 1543, 4017, 581,0
6102, 305050, 4055, 1398, 692, 1506, 4028, 608,0
6103, 305100, 4047, 1434, 663, 1469, 4037, 636,0
6104, 305150, 4038, 1471, 635, 1432, 4046, 664,0
6105, 305200, 4028, 1508, 607, 1395, 4054, 692,0
6106, 305250, 4018, 1546, 580, 1359, 4061, 721,0
6107, 305300, 4007, 1583, 553, 1322, 4068, 751,0
6108, 305350, 3996, 1621, 527, 1286, 4073, 781,0
6109, 305400, 3983, 1659, 502, 1251, 4079, 811,0
6110, 305450, 3970, 1697, 477, 1215, 4083, 842,0
6111, 305500, 3957, 1735, 452, 1180, 4087, 874,0
6112, 305550, 3943, 1773, 428, 1145, 4090, 905,0
6113, 305600, 3928, 1811, 405, 1111, 4092, 938,0
6114, 305650, 3912, 1850, 382, 1077, 4093, 970,0
6115, 305700, 3896, 1888, 360, 1043, 4094, 1003,0
6116, 305750, 3879, 1927, 338, 1010, 4094, 1036,0
6117, 305800, 3861, 1965, 318, 976, 4094, 1070,0
6118, 305850, 3843, 2004, 297, 944, 4092, 1104,0
6119, 305900, 3824, 2042, 277, 911, 4090, 1138,0
6120, 305950, 3804, 2081, 258, 880, 4087, 1173,0

6121, 306000, 3784, 2120, 240, 848, 4084, 1208,0
6122, 306050, 3763, 2158, 222, 817, 4079, 1243,0
6123, 306100, 3742, 2197, 205, 786, 4074, 1279,0
6124, 306150, 3720, 2235, 188, 756, 4069, 1315,0
6125, 306200, 3697, 2274, 173, 726, 4062, 1351,0
6126, 306250, 3674, 2312, 157, 697, 4055, 1387,0
6127, 306300, 3650, 2350, 143, 668, 4047, 1424,0
6128, 306350, 3626, 2388, 129, 640, 4039, 1460,0
6129, 306400, 3601, 2426, 116, 612, 4029, 1497,0
6130, 306450, 3576, 2464, 104, 585, 4019, 1535,0
6131, 306500, 3550, 2502, 92, 558, 4009, 1572,0
6132, 306550, 3523, 2539, 81, 532, 3997, 1610,0
6133, 306600, 3496, 2577, 70, 506, 3985, 1647,0
6134, 306650, 3469, 2614, 61, 481, 3973, 1685,0
6135, 306700, 3441, 2651, 52, 457, 3959, 1723,0
6136, 306750, 3412, 2688, 43, 433, 3945, 1761,0
6137, 306800, 3383, 2724, 36, 409, 3930, 1799,0
6138, 306850, 3353, 2761, 29, 386, 3915, 1838,0
6139, 306900, 3324, 2797, 23, 364, 3899, 1876,0
6140, 306950, 3293, 2832, 18, 343, 3882, 1914,0
6141, 307000, 3262, 2868, 13, 321, 3864, 1953,0
6142, 307050, 3231, 2903, 9, 301, 3846, 1991,0
6143, 307100, 3199, 2938, 6, 281, 3828, 2030,0

6144, 307150, 3167, 2973, 3, 262, 3808, 2068,0
6145, 307200, 3135, 3007, 1, 243, 3788, 2107,0
6146, 307250, 3102, 3041, 0, 226, 3768, 2145,0
6147, 307300, 3068, 3075, 0, 208, 3747, 2184,0
6148, 307350, 3035, 3108, 0, 192, 3725, 2222,0
6149, 307400, 3001, 3141, 2, 176, 3702, 2260,0
6150, 307450, 2966, 3173, 3, 160, 3679, 2299,0
6151, 307500, 2932, 3205, 6, 146, 3656, 2337,0
6152, 307550, 2897, 3237, 9, 132, 3632, 2375,0
6153, 307600, 2861, 3268, 13, 119, 3607, 2413,0
6154, 307650, 2826, 3299, 18, 106, 3582, 2451,0
6155, 307700, 2790, 3329, 24, 94, 3556, 2488,0
6156, 307750, 2754, 3359, 30, 83, 3530, 2526,0
6157, 307800, 2718, 3388, 37, 72, 3503, 2563,0
6158, 307850, 2681, 3417, 44, 63, 3476, 2600,0
6159, 307900, 2644, 3446, 53, 53, 3448, 2637,0
6160, 307950, 2607, 3474, 62, 45, 3419, 2674,0
6161, 308000, 2570, 3501, 72, 37, 3390, 2710,0
6162, 308050, 2532, 3528, 82, 30, 3361, 2747,0
6163, 308100, 2495, 3555, 93, 24, 3331, 2783,0
6164, 308150, 2457, 3580, 105, 19, 3301, 2819,0
6165, 308200, 2419, 3606, 118, 14, 3270, 2854,0
6166, 308250, 2381, 3631, 131, 10, 3239, 2889,0

6167, 308300, 2343, 3655, 145, 6, 3208, 2924,0
6168, 308350, 2305, 3678, 159, 4, 3176, 2959,0
6169, 308400, 2266, 3701, 175, 2, 3143, 2993,0
6170, 308450, 2228, 3724, 191, 1, 3111, 3027,0
6171, 308500, 2190, 3746, 207, 0, 3077, 3061,0
6172, 308550, 2151, 3767, 224, 0, 3044, 3094,0
6173, 308600, 2112, 3788, 242, 1, 3010, 3127,0
6174, 308650, 2074, 3808, 261, 3, 2976, 3159,0
6175, 308700, 2035, 3827, 280, 6, 2941, 3191,0
6176, 308750, 1997, 3846, 300, 9, 2907, 3223,0
6177, 308800, 1958, 3864, 320, 13, 2871, 3254,0
6178, 308850, 1920, 3882, 341, 17, 2836, 3285,0
6179, 308900, 1881, 3899, 363, 23, 2800, 3315,0
6180, 308950, 1843, 3915, 385, 29, 2764, 3345,0
6181, 309000, 1804, 3930, 408, 36, 2728, 3375,0
6182, 309050, 1766, 3945, 431, 43, 2692, 3404,0
6183, 309100, 1728, 3959, 455, 51, 2655, 3432,0
6184, 309150, 1690, 3973, 480, 60, 2618, 3460,0
6185, 309200, 1652, 3986, 505, 70, 2581, 3488,0
6186, 309250, 1614, 3998, 531, 80, 2544, 3515,0
6187, 309300, 1576, 4009, 557, 91, 2506, 3541,0
6188, 309350, 1539, 4020, 584, 103, 2469, 3567,0
6189, 309400, 1502, 4030, 611, 115, 2431, 3592,0

6190, 309450, 1464, 4040, 639, 129, 2393, 3617,0
6191, 309500, 1428, 4048, 667, 142, 2355, 3642,0
6192, 309550, 1391, 4056, 696, 157, 2317, 3665,0
6193, 309600, 1354, 4063, 725, 172, 2278, 3688,0
6194, 309650, 1318, 4070, 754, 188, 2240, 3711,0
6195, 309700, 1282, 4076, 785, 204, 2202, 3733,0
6196, 309750, 1247, 4081, 815, 221, 2163, 3754,0
6197, 309800, 1211, 4085, 846, 239, 2125, 3775,0
6198, 309850, 1176, 4089, 878, 257, 2086, 3795,0
6199, 309900, 1141, 4092, 910, 277, 2048, 3815,0
6200, 309950, 1107, 4094, 942, 296, 2009, 3834,0
6201, 310000, 1073, 4095, 975, 316, 1971, 3852,0
6202, 310050, 1039, 4096, 1008, 337, 1932, 3870,0
6203, 310100, 1006, 4096, 1041, 359, 1894, 3887,0
6204, 310150, 973, 4095, 1075, 381, 1855, 3903,0
6205, 310200, 940, 4094, 1109, 404, 1817, 3918,0
6206, 310250, 908, 4091, 1144, 427, 1779, 3933,0
6207, 310300, 876, 4088, 1178, 451, 1741, 3948,0
6208, 310350, 844, 4085, 1213, 475, 1703, 3961,0
6209, 310400, 813, 4080, 1249, 500, 1665, 3974,0
6210, 310450, 783, 4075, 1284, 526, 1627, 3987,0
6211, 310500, 753, 4070, 1320, 552, 1589, 3998,0
6212, 310550, 723, 4063, 1357, 579, 1552, 4009,0

6213, 310600, 694, 4056, 1393, 606, 1515, 4019,0
6214, 310650, 665, 4048, 1430, 633, 1478, 4029,0
6215, 310700, 637, 4039, 1467, 662, 1441, 4038,0
6216, 310750, 609, 4030, 1504, 690, 1404, 4046,0
6217, 310800, 582, 4020, 1541, 719, 1368, 4053,0
6218, 310850, 555, 4009, 1579, 749, 1331, 4060,0
6219, 310900, 529, 3997, 1616, 779, 1296, 4066,0
6220, 310950, 503, 3985, 1654, 810, 1260, 4071,0
6221, 311000, 478, 3972, 1692, 841, 1224, 4075,0
6222, 311050, 454, 3959, 1730, 872, 1189, 4079,0
6223, 311100, 430, 3945, 1768, 904, 1155, 4082,0
6224, 311150, 407, 3930, 1807, 936, 1120, 4085,0
6225, 311200, 384, 3914, 1845, 969, 1086, 4086,0
6226, 311250, 362, 3898, 1883, 1002, 1052, 4087,0
6227, 311300, 340, 3881, 1922, 1035, 1019, 4087,0
6228, 311350, 319, 3863, 1960, 1069, 986, 4087,0
6229, 311400, 299, 3845, 1999, 1103, 953, 4085,0
6230, 311450, 279, 3826, 2038, 1137, 921, 4083,0
6231, 311500, 260, 3807, 2076, 1172, 889, 4081,0
6232, 311550, 241, 3787, 2115, 1207, 857, 4077,0
6233, 311600, 223, 3766, 2153, 1242, 826, 4073,0
6234, 311650, 206, 3745, 2192, 1278, 796, 4068,0
6235, 311700, 190, 3723, 2230, 1314, 765, 4062,0

6236, 311750, 174, 3700, 2269, 1350, 736, 4056,0
6237, 311800, 158, 3677, 2307, 1386, 706, 4049,0
6238, 311850, 144, 3654, 2345, 1423, 678, 4041,0
6239, 311900, 130, 3629, 2384, 1460, 649, 4033,0
6240, 311950, 117, 3605, 2422, 1497, 622, 4024,0
6241, 312000, 104, 3579, 2459, 1534, 594, 4014,0
6242, 312050, 93, 3553, 2497, 1572, 567, 4003,0
6243, 312100, 81, 3527, 2535, 1609, 541, 3992,0
6244, 312150, 71, 3500, 2572, 1647, 515, 3980,0
6245, 312200, 61, 3473, 2609, 1685, 490, 3967,0
6246, 312250, 52, 3445, 2646, 1723, 466, 3954,0
6247, 312300, 44, 3416, 2683, 1761, 442, 3940,0
6248, 312350, 36, 3387, 2720, 1799, 418, 3925,0
6249, 312400, 29, 3358, 2756, 1838, 395, 3910,0
6250, 312450, 23, 3328, 2792, 1876, 373, 3894,0
6251, 312500, 18, 3297, 2828, 1915, 351, 3877,0
6252, 312550, 13, 3267, 2864, 1953, 330, 3860,0
6253, 312600, 9, 3235, 2899, 1992, 310, 3842,0
6254, 312650, 6, 3204, 2934, 2030, 290, 3823,0
6255, 312700, 3, 3172, 2969, 2069, 271, 3804,0
6256, 312750, 2, 3139, 3003, 2108, 252, 3784,0
6257, 312800, 0, 3106, 3037, 2146, 234, 3763,0
6258, 312850, 0, 3073, 3070, 2185, 217, 3742,0

6259, 312900, 0, 3039, 3104, 2223, 200, 3720,0
6260, 312950, 2, 3006, 3137, 2262, 184, 3698,0
6261, 313000, 3, 2971, 3169, 2300, 169, 3675,0
6262, 313050, 6, 2937, 3201, 2338, 154, 3652,0
6263, 313100, 9, 2902, 3233, 2376, 140, 3628,0
6264, 313150, 13, 2866, 3264, 2414, 126, 3603,0
6265, 313200, 18, 2831, 3295, 2452, 114, 3578,0
6266, 313250, 23, 2795, 3325, 2490, 102, 3552,0
6267, 313300, 29, 2759, 3355, 2528, 91, 3526,0
6268, 313350, 36, 2723, 3385, 2565, 80, 3499,0
6269, 313400, 44, 2686, 3414, 2602, 70, 3472,0
6270, 313450, 52, 2649, 3442, 2639, 61, 3444,0
6271, 313500, 61, 2612, 3470, 2676, 52, 3416,0
6272, 313550, 71, 2575, 3498, 2713, 45, 3387,0
6273, 313600, 81, 2538, 3525, 2749, 38, 3358,0
6274, 313650, 92, 2500, 3551, 2785, 31, 3328,0
6275, 313700, 104, 2462, 3577, 2821, 26, 3298,0
6276, 313750, 117, 2425, 3603, 2857, 21, 3267,0
6277, 313800, 130, 2387, 3628, 2892, 17, 3236,0
6278, 313850, 144, 2348, 3652, 2927, 13, 3205,0
6279, 313900, 158, 2310, 3676, 2962, 10, 3173,0
6280, 313950, 174, 2272, 3699, 2996, 8, 3141,0
6281, 314000, 189, 2233, 3721, 3030, 7, 3108,0

6282, 314050, 206, 2195, 3743, 3064, 7, 3075,0
6283, 314100, 223, 2156, 3765, 3097, 7, 3041,0
6284, 314150, 241, 2118, 3785, 3130, 8, 3008,0
6285, 314200, 260, 2079, 3805, 3163, 9, 2973,0
6286, 314250, 279, 2041, 3825, 3195, 12, 2939,0
6287, 314300, 298, 2002, 3844, 3227, 15, 2904,0
6288, 314350, 319, 1963, 3862, 3258, 19, 2869,0
6289, 314400, 340, 1925, 3880, 3289, 23, 2834,0
6290, 314450, 361, 1886, 3897, 3320, 28, 2798,0
6291, 314500, 384, 1848, 3913, 3350, 34, 2762,0
6292, 314550, 406, 1810, 3929, 3379, 41, 2726,0
6293, 314600, 430, 1771, 3943, 3408, 48, 2690,0
6294, 314650, 454, 1733, 3958, 3437, 56, 2653,0
6295, 314700, 478, 1695, 3971, 3465, 65, 2616,0
6296, 314750, 503, 1657, 3984, 3493, 75, 2579,0
6297, 314800, 529, 1619, 3996, 3520, 85, 2542,0
6298, 314850, 555, 1582, 4008, 3546, 96, 2504,0
6299, 314900, 582, 1544, 4019, 3572, 107, 2467,0
6300, 314950, 609, 1507, 4029, 3598, 120, 2429,0
6301, 315000, 637, 1470, 4038, 3623, 133, 2391,0
6302, 315050, 665, 1433, 4047, 3647, 146, 2353,0
6303, 315100, 694, 1396, 4055, 3671, 161, 2315,0
6304, 315150, 723, 1360, 4063, 3694, 176, 2277,0

6305, 315200, 752, 1323, 4069, 3717, 192, 2238,0
6306, 315250, 783, 1287, 4075, 3739, 208, 2200,0
6307, 315300, 813, 1252, 4080, 3760, 225, 2162,0
6308, 315350, 844, 1216, 4085, 3781, 243, 2123,0
6309, 315400, 876, 1181, 4088, 3802, 261, 2085,0
6310, 315450, 907, 1146, 4091, 3821, 280, 2046,0
6311, 315500, 940, 1112, 4093, 3840, 299, 2008,0
6312, 315550, 972, 1078, 4095, 3859, 319, 1969,0
6313, 315600, 1005, 1044, 4096, 3876, 340, 1931,0
6314, 315650, 1039, 1010, 4096, 3893, 362, 1892,0
6315, 315700, 1073, 977, 4095, 3910, 384, 1854,0
6316, 315750, 1107, 944, 4094, 3925, 406, 1816,0
6317, 315800, 1141, 912, 4092, 3941, 429, 1777,0
6318, 315850, 1176, 880, 4089, 3955, 453, 1739,0
6319, 315900, 1211, 849, 4085, 3969, 478, 1701,0
6320, 315950, 1246, 818, 4081, 3982, 502, 1663,0
6321, 316000, 1282, 787, 4076, 3994, 528, 1626,0
6322, 316050, 1318, 757, 4070, 4006, 554, 1588,0
6323, 316100, 1354, 727, 4064, 4017, 580, 1550,0
6324, 316150, 1391, 698, 4057, 4027, 607, 1513,0
6325, 316200, 1427, 669, 4049, 4037, 635, 1476,0
6326, 316250, 1464, 641, 4040, 4045, 663, 1439,0
6327, 316300, 1501, 613, 4031, 4054, 691, 1403,0

6328, 316350, 1539, 586, 4021, 4061, 720, 1366,0
6329, 316400, 1576, 559, 4010, 4068, 750, 1330,0
6330, 316450, 1614, 533, 3999, 4074, 780, 1294,0
6331, 316500, 1651, 507, 3987, 4079, 810, 1258,0
6332, 316550, 1689, 482, 3974, 4084, 841, 1223,0
6333, 316600, 1727, 457, 3961, 4087, 872, 1188,0
6334, 316650, 1766, 433, 3946, 4091, 904, 1153,0
6335, 316700, 1804, 410, 3932, 4093, 936, 1118,0
6336, 316750, 1842, 387, 3916, 4095, 969, 1084,0
6337, 316800, 1881, 365, 3900, 4096, 1002, 1050,0
6338, 316850, 1919, 343, 3883, 4096, 1035, 1017,0
6339, 316900, 1958, 322, 3866, 4095, 1068, 984,0
6340, 316950, 1996, 301, 3848, 4094, 1102, 951,0
6341, 317000, 2035, 281, 3829, 4092, 1137, 919,0
6342, 317050, 2074, 262, 3809, 4089, 1171, 887,0
6343, 317100, 2112, 244, 3789, 4086, 1206, 855,0
6344, 317150, 2151, 226, 3769, 4082, 1242, 824,0
6345, 317200, 2189, 208, 3748, 4077, 1277, 793,0
6346, 317250, 2228, 192, 3726, 4071, 1313, 763,0
6347, 317300, 2266, 176, 3703, 4065, 1349, 733,0
6348, 317350, 2305, 161, 3680, 4058, 1385, 704,0
6349, 317400, 2343, 146, 3657, 4050, 1422, 675,0
6350, 317450, 2381, 132, 3633, 4042, 1459, 647,0

6351, 317500, 2419, 119, 3608, 4033, 1496, 619,0
6352, 317550, 2457, 106, 3583, 4023, 1533, 592,0
6353, 317600, 2495, 94, 3557, 4012, 1570, 565,0
6354, 317650, 2532, 83, 3530, 4001, 1608, 539,0
6355, 317700, 2570, 72, 3503, 3989, 1645, 513,0
6356, 317750, 2607, 63, 3476, 3976, 1683, 488,0
6357, 317800, 2644, 53, 3448, 3963, 1721, 463,0
6358, 317850, 2681, 45, 3420, 3949, 1759, 439,0
6359, 317900, 2717, 37, 3391, 3934, 1797, 415,0
6360, 317950, 2754, 30, 3361, 3919, 1836, 392,0
6361, 318000, 2790, 24, 3332, 3903, 1874, 370,0
6362, 318050, 2826, 19, 3301, 3886, 1912, 348,0
6363, 318100, 2861, 14, 3270, 3869, 1951, 327,0
6364, 318150, 2896, 10, 3239, 3851, 1989, 307,0
6365, 318200, 2931, 6, 3208, 3832, 2028, 287,0
6366, 318250, 2966, 4, 3176, 3813, 2066, 267,0
6367, 318300, 3000, 2, 3143, 3793, 2105, 249,0
6368, 318350, 3034, 0, 3110, 3773, 2143, 231,0
6369, 318400, 3068, 0, 3077, 3752, 2182, 213,0
6370, 318450, 3101, 0, 3044, 3730, 2220, 196,0
6371, 318500, 3134, 1, 3010, 3707, 2259, 180,0
6372, 318550, 3167, 3, 2975, 3685, 2297, 165,0
6373, 318600, 3199, 5, 2941, 3661, 2335, 150,0

6374, 318650, 3231, 9, 2906, 3637, 2373, 136,0
6375, 318700, 3262, 12, 2871, 3612, 2411, 122,0
6376, 318750, 3293, 17, 2835, 3587, 2449, 110,0
6377, 318800, 3323, 22, 2800, 3561, 2487, 98,0
6378, 318850, 3353, 28, 2764, 3535, 2524, 86,0
6379, 318900, 3383, 35, 2727, 3508, 2562, 76,0
6380, 318950, 3412, 43, 2691, 3481, 2599, 66,0
6381, 319000, 3440, 51, 2654, 3453, 2636, 56,0
6382, 319050, 3468, 60, 2617, 3425, 2673, 48,0
6383, 319100, 3496, 69, 2580, 3396, 2710, 40,0
6384, 319150, 3523, 80, 2542, 3367, 2746, 33,0
6385, 319200, 3550, 91, 2505, 3337, 2782, 26,0
6386, 319250, 3576, 102, 2467, 3307, 2818, 21,0
6387, 319300, 3601, 115, 2429, 3276, 2853, 16,0
6388, 319350, 3626, 128, 2391, 3245, 2889, 11,0
6389, 319400, 3650, 142, 2353, 3214, 2924, 8,0
6390, 319450, 3674, 156, 2315, 3182, 2958, 5,0
6391, 319500, 3697, 171, 2277, 3149, 2993, 3,0
6392, 319550, 3720, 187, 2238, 3117, 3027, 2,0
6393, 319600, 3742, 204, 2200, 3083, 3061, 1,0
6394, 319650, 3763, 221, 2161, 3050, 3094, 1,0
6395, 319700, 3784, 238, 2123, 3016, 3127, 2,0
6396, 319750, 3804, 257, 2084, 2982, 3159, 3,0

6397, 319800, 3824, 276, 2045, 2947, 3192, 6,0
6398, 319850, 3843, 296, 2007, 2913, 3223, 9,0
6399, 319900, 3861, 316, 1968, 2877, 3255, 12,0
6400, 319950, 3878, 337, 1930, 2842, 3286, 17,0
6401, 320000, 3895, 358, 1891, 2806, 3316, 22,0
6402, 320050, 3912, 380, 1853, 2770, 3346, 28,0
6403, 320100, 3927, 403, 1814, 2734, 3376, 34,0
6404, 320150, 3942, 426, 1776, 2698, 3405, 42,0
6405, 320200, 3957, 450, 1738, 2661, 3433, 50,0
6406, 320250, 3970, 475, 1700, 2624, 3462, 58,0
6407, 320300, 3983, 500, 1662, 2587, 3489, 68,0
6408, 320350, 3996, 525, 1624, 2549, 3516, 78,0
6409, 320400, 4007, 551, 1586, 2512, 3543, 89,0
6410, 320450, 4018, 578, 1549, 2474, 3569, 100,0
6411, 320500, 4028, 605, 1511, 2436, 3595, 112,0
6412, 320550, 4038, 633, 1474, 2398, 3620, 125,0
6413, 320600, 4047, 661, 1437, 2360, 3644, 139,0
6414, 320650, 4055, 689, 1400, 2322, 3668, 153,0
6415, 320700, 4062, 719, 1364, 2284, 3691, 168,0
6416, 320750, 4069, 748, 1328, 2245, 3714, 184,0
6417, 320800, 4075, 778, 1292, 2207, 3736, 200,0
6418, 320850, 4080, 809, 1256, 2168, 3757, 217,0
6419, 320900, 4084, 840, 1221, 2130, 3778, 234,0

6420, 320950, 4088, 871, 1185, 2091, 3799, 253,0
6421, 321000, 4091, 903, 1151, 2053, 3818, 271,0
6422, 321050, 4093, 935, 1116, 2014, 3837, 291,0
6423, 321100, 4095, 968, 1082, 1976, 3856, 311,0
6424, 321150, 4096, 1001, 1048, 1937, 3874, 332,0
6425, 321200, 4096, 1034, 1014, 1898, 3891, 353,0
6426, 321250, 4095, 1068, 981, 1860, 3907, 375,0
6427, 321300, 4094, 1102, 948, 1822, 3923, 397,0
6428, 321350, 4092, 1136, 916, 1783, 3938, 420,0
6429, 321400, 4089, 1171, 884, 1745, 3953, 444,0
6430, 321450, 4086, 1206, 853, 1707, 3966, 468,0
6431, 321500, 4081, 1241, 821, 1669, 3980, 493,0
6432, 321550, 4076, 1277, 791, 1631, 3992, 519,0
6433, 321600, 4071, 1313, 761, 1593, 4004, 544,0
6434, 321650, 4064, 1349, 731, 1556, 4015, 571,0
6435, 321700, 4057, 1385, 701, 1518, 4025, 598,0
6436, 321750, 4049, 1422, 673, 1481, 4035, 625,0
6437, 321800, 4041, 1459, 644, 1444, 4044, 653,0
6438, 321850, 4032, 1496, 616, 1407, 4052, 682,0
6439, 321900, 4022, 1533, 589, 1371, 4059, 711,0
6440, 321950, 4011, 1571, 562, 1335, 4066, 740,0
6441, 322000, 4000, 1608, 536, 1299, 4072, 770,0
6442, 322050, 3988, 1646, 510, 1263, 4078, 800,0

6443, 322100, 3975, 1684, 485, 1227, 4082, 831,0
6444, 322150, 3962, 1722, 460, 1192, 4086, 862,0
6445, 322200, 3947, 1760, 436, 1157, 4090, 894,0
6446, 322250, 3933, 1799, 413, 1123, 4092, 926,0
6447, 322300, 3917, 1837, 390, 1088, 4094, 958,0
6448, 322350, 3901, 1875, 367, 1054, 4095, 991,0
6449, 322400, 3884, 1914, 346, 1021, 4095, 1024,0
6450, 322450, 3867, 1952, 324, 988, 4095, 1058,0
6451, 322500, 3849, 1991, 304, 955, 4094, 1092,0
6452, 322550, 3830, 2030, 284, 922, 4092, 1126,0
6453, 322600, 3811, 2068, 265, 890, 4089, 1160,0
6454, 322650, 3791, 2107, 246, 859, 4086, 1195,0
6455, 322700, 3770, 2145, 228, 827, 4082, 1230,0
6456, 322750, 3749, 2184, 211, 797, 4077, 1266,0
6457, 322800, 3727, 2222, 194, 766, 4072, 1302,0
6458, 322850, 3705, 2261, 178, 736, 4065, 1338,0
6459, 322900, 3682, 2299, 162, 707, 4059, 1374,0
6460, 322950, 3658, 2337, 148, 678, 4051, 1410,0
6461, 323000, 3634, 2376, 134, 650, 4043, 1447,0
6462, 323050, 3610, 2414, 120, 622, 4034, 1484,0
6463, 323100, 3584, 2452, 108, 594, 4024, 1521,0
6464, 323150, 3558, 2489, 96, 567, 4013, 1559,0
6465, 323200, 3532, 2527, 84, 541, 4002, 1596,0

6466, 323250, 3505, 2564, 74, 515, 3990, 1634,0
6467, 323300, 3478, 2602, 64, 490, 3978, 1671,0
6468, 323350, 3450, 2639, 55, 465, 3965, 1709,0
6469, 323400, 3422, 2676, 46, 441, 3951, 1747,0
6470, 323450, 3393, 2712, 38, 417, 3936, 1786,0
6471, 323500, 3363, 2749, 31, 394, 3921, 1824,0
6472, 323550, 3334, 2785, 25, 372, 3905, 1862,0
6473, 323600, 3303, 2821, 19, 350, 3888, 1901,0
6474, 323650, 3273, 2856, 14, 329, 3871, 1939,0
6475, 323700, 3241, 2892, 10, 308, 3853, 1977,0
6476, 323750, 3210, 2927, 7, 288, 3835, 2016,0
6477, 323800, 3178, 2961, 4, 268, 3816, 2054,0
6478, 323850, 3145, 2996, 2, 250, 3796, 2093,0
6479, 323900, 3113, 3030, 1, 232, 3776, 2131,0
6480, 323950, 3080, 3063, 0, 214, 3755, 2170,0
6481, 324000, 3046, 3097, 0, 197, 3733, 2208,0
6482, 324050, 3012, 3130, 1, 181, 3711, 2247,0
6483, 324100, 2978, 3162, 3, 165, 3688, 2285,0
6484, 324150, 2943, 3194, 5, 151, 3665, 2323,0
6485, 324200, 2908, 3226, 8, 136, 3641, 2361,0
6486, 324250, 2873, 3258, 12, 123, 3616, 2399,0
6487, 324300, 2838, 3289, 16, 110, 3591, 2437,0
6488, 324350, 2802, 3319, 22, 98, 3566, 2475,0

6489, 324400, 2766, 3349, 28, 87, 3539, 2512,0
6490, 324450, 2730, 3379, 34, 76, 3513, 2550,0
6491, 324500, 2693, 3408, 42, 66, 3486, 2587,0
6492, 324550, 2656, 3436, 50, 56, 3458, 2624,0
6493, 324600, 2620, 3465, 59, 48, 3430, 2661,0
6494, 324650, 2582, 3492, 68, 40, 3401, 2697,0
6495, 324700, 2545, 3519, 78, 33, 3372, 2734,0
6496, 324750, 2507, 3546, 89, 26, 3342, 2770,0
6497, 324800, 2470, 3572, 101, 20, 3312, 2806,0
6498, 324850, 2432, 3597, 113, 15, 3281, 2841,0
6499, 324900, 2394, 3622, 126, 11, 3251, 2877,0
6500, 324950, 2356, 3647, 140, 8, 3219, 2912,0
6501, 325000, 2318, 3671, 154, 5, 3187, 2946,0
6502, 325050, 2279, 3694, 169, 2, 3155, 2981,0
6503, 325100, 2241, 3717, 185, 1, 3122, 3015,0
6504, 325150, 2202, 3739, 202, 0, 3089, 3048,0
6505, 325200, 2164, 3760, 219, 0, 3056, 3082,0
6506, 325250, 2125, 3781, 236, 1, 3022, 3115,0
6507, 325300, 2087, 3801, 255, 3, 2988, 3147,0
6508, 325350, 2048, 3821, 273, 5, 2954, 3180,0
6509, 325400, 2010, 3840, 293, 8, 2919, 3211,0
6510, 325450, 1971, 3858, 313, 11, 2884, 3243,0
6511, 325500, 1932, 3876, 334, 16, 2849, 3274,0

6512, 325550, 1894, 3893, 356, 21, 2813, 3304,0
6513, 325600, 1855, 3910, 378, 27, 2777, 3334,0
6514, 325650, 1817, 3925, 400, 33, 2741, 3364,0
6515, 325700, 1779, 3940, 423, 41, 2705, 3393,0
6516, 325750, 1740, 3955, 447, 49, 2668, 3422,0
6517, 325800, 1702, 3969, 472, 57, 2631, 3450,0
6518, 325850, 1664, 3982, 496, 67, 2594, 3478,0
6519, 325900, 1627, 3994, 522, 77, 2557, 3505,0
6520, 325950, 1589, 4006, 548, 88, 2520, 3531,0
6521, 326000, 1551, 4017, 575, 99, 2482, 3557,0
6522, 326050, 1514, 4027, 602, 111, 2444, 3583,0
6523, 326100, 1477, 4037, 629, 124, 2406, 3608,0
6524, 326150, 1440, 4045, 657, 138, 2368, 3633,0
6525, 326200, 1403, 4054, 686, 152, 2330, 3656,0
6526, 326250, 1367, 4061, 715, 167, 2292, 3680,0
6527, 326300, 1330, 4068, 744, 182, 2254, 3703,0
6528, 326350, 1294, 4074, 774, 199, 2215, 3725,0
6529, 326400, 1258, 4079, 805, 216, 2177, 3746,0
6530, 326450, 1223, 4084, 836, 233, 2138, 3767,0
6531, 326500, 1188, 4088, 867, 251, 2100, 3788,0
6532, 326550, 1153, 4091, 899, 270, 2061, 3807,0
6533, 326600, 1118, 4093, 931, 290, 2023, 3826,0
6534, 326650, 1084, 4095, 964, 310, 1984, 3845,0

6535, 326700, 1050, 4096, 997, 330, 1946, 3863,0
6536, 326750, 1017, 4096, 1030, 352, 1907, 3880,0
6537, 326800, 984, 4095, 1064, 374, 1869, 3897,0
6538, 326850, 951, 4094, 1098, 396, 1831, 3912,0
6539, 326900, 918, 4092, 1132, 419, 1792, 3928,0
6540, 326950, 886, 4090, 1167, 443, 1754, 3942,0
6541, 327000, 855, 4086, 1202, 467, 1716, 3956,0
6542, 327050, 824, 4082, 1237, 492, 1678, 3969,0
6543, 327100, 793, 4077, 1273, 517, 1640, 3982,0
6544, 327150, 763, 4072, 1308, 543, 1603, 3994,0
6545, 327200, 733, 4065, 1345, 570, 1565, 4005,0
6546, 327250, 703, 4058, 1381, 597, 1528, 4015,0
6547, 327300, 675, 4051, 1418, 624, 1491, 4025,0
6548, 327350, 646, 4042, 1454, 652, 1454, 4034,0
6549, 327400, 618, 4033, 1491, 681, 1417, 4042,0
6550, 327450, 591, 4023, 1529, 710, 1381, 4050,0
6551, 327500, 564, 4013, 1566, 739, 1344, 4057,0
6552, 327550, 538, 4001, 1604, 769, 1308, 4063,0
6553, 327600, 512, 3989, 1641, 799, 1272, 4068,0
6554, 327650, 487, 3977, 1679, 830, 1237, 4073,0
6555, 327700, 462, 3963, 1717, 862, 1202, 4077,0
6556, 327750, 438, 3949, 1756, 893, 1167, 4080,0
6557, 327800, 414, 3935, 1794, 925, 1132, 4083,0

6558, 327850, 391, 3919, 1832, 958, 1098, 4085,0
6559, 327900, 369, 3903, 1871, 991, 1064, 4086,0
6560, 327950, 347, 3887, 1909, 1024, 1031, 4086,0
6561, 328000, 326, 3869, 1948, 1057, 997, 4086,0
6562, 328050, 305, 3851, 1986, 1091, 965, 4085,0
6563, 328100, 285, 3833, 2025, 1126, 932, 4083,0
6564, 328150, 266, 3814, 2063, 1160, 900, 4081,0
6565, 328200, 247, 3794, 2102, 1195, 868, 4077,0
6566, 328250, 229, 3773, 2141, 1231, 837, 4074,0
6567, 328300, 212, 3752, 2179, 1266, 807, 4069,0
6568, 328350, 195, 3730, 2218, 1302, 776, 4063,0
6569, 328400, 179, 3708, 2256, 1338, 746, 4057,0
6570, 328450, 163, 3685, 2294, 1374, 717, 4051,0
6571, 328500, 149, 3662, 2333, 1411, 688, 4043,0
6572, 328550, 135, 3638, 2371, 1448, 659, 4035,0
6573, 328600, 121, 3613, 2409, 1485, 631, 4026,0
6574, 328650, 108, 3588, 2447, 1522, 604, 4016,0
6575, 328700, 96, 3562, 2485, 1559, 577, 4006,0
6576, 328750, 85, 3536, 2522, 1597, 551, 3995,0
6577, 328800, 74, 3509, 2560, 1635, 525, 3983,0
6578, 328850, 64, 3482, 2597, 1672, 499, 3970,0
6579, 328900, 55, 3454, 2634, 1710, 475, 3957,0
6580, 328950, 47, 3426, 2671, 1749, 450, 3944,0

6581, 329000, 39, 3397, 2708, 1787, 427, 3929,0
6582, 329050, 32, 3368, 2744, 1825, 404, 3914,0
6583, 329100, 25, 3338, 2780, 1864, 381, 3898,0
6584, 329150, 20, 3308, 2816, 1902, 359, 3882,0
6585, 329200, 15, 3277, 2852, 1941, 338, 3865,0
6586, 329250, 10, 3246, 2887, 1979, 317, 3847,0
6587, 329300, 7, 3214, 2922, 2018, 297, 3828,0
6588, 329350, 4, 3182, 2957, 2056, 278, 3809,0
6589, 329400, 2, 3150, 2991, 2095, 259, 3790,0
6590, 329450, 1, 3117, 3026, 2133, 241, 3769,0
6591, 329500, 0, 3084, 3059, 2172, 223, 3748,0
6592, 329550, 0, 3051, 3093, 2211, 206, 3727,0
6593, 329600, 1, 3017, 3126, 2249, 190, 3705,0
6594, 329650, 3, 2983, 3158, 2287, 174, 3682,0
6595, 329700, 5, 2948, 3191, 2326, 159, 3659,0
6596, 329750, 8, 2913, 3222, 2364, 145, 3635,0
6597, 329800, 12, 2878, 3254, 2402, 132, 3610,0
6598, 329850, 16, 2843, 3285, 2440, 119, 3586,0
6599, 329900, 21, 2807, 3315, 2478, 107, 3560,0
6600, 329950, 27, 2771, 3345, 2515, 95, 3534,0
6601, 330000, 34, 2735, 3375, 2553, 84, 3507,0
6602, 330050, 41, 2698, 3404, 2590, 74, 3480,0
6603, 330100, 49, 2662, 3433, 2627, 65, 3453,0

6604, 330150, 58, 2625, 3461, 2664, 56, 3424,0
6605, 330200, 68, 2588, 3489, 2701, 48, 3396,0
6606, 330250, 78, 2550, 3516, 2737, 41, 3367,0
6607, 330300, 89, 2513, 3543, 2774, 34, 3337,0
6608, 330350, 100, 2475, 3569, 2810, 28, 3307,0
6609, 330400, 112, 2437, 3594, 2845, 23, 3277,0
6610, 330450, 125, 2399, 3619, 2881, 19, 3246,0
6611, 330500, 139, 2361, 3644, 2916, 15, 3214,0
6612, 330550, 153, 2323, 3668, 2951, 12, 3183,0
6613, 330600, 168, 2285, 3691, 2985, 10, 3150,0
6614, 330650, 184, 2246, 3714, 3019, 8, 3118,0
6615, 330700, 200, 2208, 3736, 3053, 7, 3085,0
6616, 330750, 217, 2169, 3758, 3087, 7, 3052,0
6617, 330800, 235, 2131, 3779, 3120, 8, 3018,0
6618, 330850, 253, 2092, 3799, 3152, 9, 2984,0
6619, 330900, 272, 2054, 3819, 3185, 12, 2950,0
6620, 330950, 292, 2015, 3838, 3217, 14, 2915,0
6621, 331000, 312, 1976, 3856, 3248, 18, 2880,0
6622, 331050, 333, 1938, 3874, 3279, 22, 2845,0
6623, 331100, 354, 1899, 3891, 3310, 27, 2809,0
6624, 331150, 376, 1861, 3908, 3340, 33, 2773,0
6625, 331200, 399, 1822, 3923, 3370, 39, 2737,0
6626, 331250, 422, 1784, 3939, 3399, 47, 2701,0

6627, 331300, 446, 1746, 3953, 3428, 54, 2664,0
6628, 331350, 470, 1708, 3967, 3456, 63, 2627,0
6629, 331400, 495, 1670, 3980, 3484, 72, 2590,0
6630, 331450, 520, 1632, 3993, 3511, 82, 2553,0
6631, 331500, 546, 1594, 4004, 3538, 93, 2516,0
6632, 331550, 573, 1557, 4015, 3564, 104, 2478,0
6633, 331600, 600, 1519, 4026, 3590, 116, 2441,0
6634, 331650, 627, 1482, 4035, 3615, 129, 2403,0
6635, 331700, 655, 1445, 4044, 3639, 143, 2365,0
6636, 331750, 684, 1408, 4053, 3663, 157, 2327,0
6637, 331800, 713, 1372, 4060, 3687, 172, 2289,0
6638, 331850, 742, 1335, 4067, 3710, 187, 2250,0
6639, 331900, 772, 1299, 4073, 3732, 203, 2212,0
6640, 331950, 803, 1263, 4079, 3754, 220, 2173,0
6641, 332000, 834, 1228, 4083, 3775, 237, 2135,0
6642, 332050, 865, 1193, 4087, 3795, 255, 2097,0
6643, 332100, 897, 1158, 4090, 3815, 274, 2058,0
6644, 332150, 929, 1123, 4093, 3834, 293, 2020,0
6645, 332200, 961, 1089, 4095, 3853, 313, 1981,0
6646, 332250, 994, 1055, 4096, 3871, 334, 1943,0
6647, 332300, 1028, 1021, 4096, 3888, 355, 1904,0
6648, 332350, 1061, 988, 4096, 3905, 377, 1866,0
6649, 332400, 1095, 955, 4094, 3921, 399, 1827,0

6650, 332450, 1130, 923, 4093, 3936, 422, 1789,0
6651, 332500, 1164, 891, 4090, 3950, 446, 1751,0
6652, 332550, 1199, 859, 4087, 3964, 470, 1713,0
6653, 332600, 1234, 828, 4083, 3978, 495, 1675,0
6654, 332650, 1270, 797, 4078, 3990, 520, 1637,0
6655, 332700, 1306, 767, 4072, 4002, 546, 1599,0
6656, 332750, 1342, 737, 4066, 4013, 572, 1562,0
6657, 332800, 1378, 707, 4059, 4024, 599, 1525,0
6658, 332850, 1415, 679, 4052, 4034, 626, 1487,0
6659, 332900, 1452, 650, 4043, 4043, 654, 1450,0
6660, 332950, 1489, 622, 4034, 4051, 683, 1414,0
6661, 333000, 1526, 595, 4024, 4059, 711, 1377,0
6662, 333050, 1563, 568, 4014, 4066, 741, 1341,0
6663, 333100, 1601, 541, 4003, 4072, 771, 1305,0
6664, 333150, 1639, 515, 3991, 4078, 801, 1269,0
6665, 333200, 1677, 490, 3978, 4082, 832, 1234,0
6666, 333250, 1715, 465, 3965, 4086, 863, 1198,0
6667, 333300, 1753, 441, 3951, 4090, 894, 1163,0
6668, 333350, 1791, 417, 3937, 4092, 926, 1129,0
6669, 333400, 1829, 394, 3921, 4094, 959, 1095,0
6670, 333450, 1868, 372, 3905, 4096, 991, 1061,0
6671, 333500, 1906, 350, 3889, 4096, 1024, 1027,0
6672, 333550, 1945, 329, 3872, 4096, 1058, 994,0

6673, 333600, 1984, 308, 3854, 4095, 1092, 961,0
6674, 333650, 2022, 288, 3835, 4093, 1126, 929,0
6675, 333700, 2061, 269, 3816, 4091, 1161, 896,0
6676, 333750, 2099, 250, 3796, 4087, 1195, 865,0
6677, 333800, 2138, 232, 3776, 4083, 1230, 834,0
6678, 333850, 2176, 214, 3755, 4079, 1266, 803,0
6679, 333900, 2215, 197, 3733, 4073, 1302, 772,0
6680, 333950, 2253, 181, 3711, 4067, 1338, 742,0
6681, 334000, 2292, 166, 3688, 4061, 1374, 713,0
6682, 334050, 2330, 151, 3665, 4053, 1410, 684,0
6683, 334100, 2368, 136, 3641, 4045, 1447, 655,0
6684, 334150, 2406, 123, 3616, 4036, 1484, 627,0
6685, 334200, 2444, 110, 3591, 4026, 1521, 600,0
6686, 334250, 2482, 98, 3565, 4016, 1558, 573,0
6687, 334300, 2520, 86, 3539, 4005, 1596, 546,0
6688, 334350, 2557, 76, 3512, 3993, 1633, 520,0
6689, 334400, 2594, 66, 3485, 3981, 1671, 495,0
6690, 334450, 2632, 56, 3457, 3968, 1709, 470,0
6691, 334500, 2668, 48, 3429, 3954, 1747, 446,0
6692, 334550, 2705, 40, 3400, 3939, 1785, 422,0
6693, 334600, 2742, 33, 3371, 3924, 1824, 399,0
6694, 334650, 2778, 26, 3342, 3909, 1862, 376,0
6695, 334700, 2814, 20, 3311, 3892, 1900, 354,0

6696, 334750, 2849, 15, 3281, 3875, 1939, 333,0
6697, 334800, 2885, 11, 3250, 3857, 1977, 312,0
6698, 334850, 2920, 7, 3218, 3839, 2016, 292,0
6699, 334900, 2955, 4, 3186, 3820, 2054, 273,0
6700, 334950, 2989, 2, 3154, 3800, 2093, 254,0
6701, 335000, 3023, 1, 3121, 3780, 2131, 235,0
6702, 335050, 3057, 0, 3088, 3759, 2170, 218,0
6703, 335100, 3090, 0, 3055, 3737, 2208, 201,0
6704, 335150, 3123, 1, 3021, 3715, 2247, 185,0
6705, 335200, 3156, 2, 2987, 3692, 2285, 169,0
6706, 335250, 3188, 4, 2952, 3669, 2323, 154,0
6707, 335300, 3220, 7, 2918, 3645, 2361, 140,0
6708, 335350, 3252, 11, 2883, 3621, 2399, 126,0
6709, 335400, 3283, 15, 2847, 3596, 2437, 113,0
6710, 335450, 3313, 21, 2812, 3570, 2475, 101,0
6711, 335500, 3343, 26, 2776, 3544, 2513, 89,0
6712, 335550, 3373, 33, 2739, 3518, 2550, 78,0
6713, 335600, 3402, 40, 2703, 3490, 2588, 68,0
6714, 335650, 3431, 48, 2666, 3463, 2625, 58,0
6715, 335700, 3459, 57, 2629, 3435, 2661, 50,0
6716, 335750, 3487, 66, 2592, 3406, 2698, 42,0
6717, 335800, 3514, 76, 2555, 3377, 2735, 34,0
6718, 335850, 3541, 87, 2517, 3347, 2771, 28,0

6719, 335900, 3567, 98, 2480, 3317, 2807, 22,0
6720, 335950, 3593, 111, 2442, 3287, 2842, 16,0
6721, 336000, 3618, 124, 2404, 3256, 2878, 12,0
6722, 336050, 3642, 137, 2366, 3224, 2913, 8,0
6723, 336100, 3666, 151, 2328, 3192, 2948, 5,0
6724, 336150, 3690, 166, 2289, 3160, 2982, 3,0
6725, 336200, 3712, 182, 2251, 3128, 3016, 1,0
6726, 336250, 3734, 198, 2213, 3095, 3050, 0,0
6727, 336300, 3756, 215, 2174, 3061, 3084, 0,0
6728, 336350, 3777, 232, 2136, 3028, 3117, 1,0
6729, 336400, 3797, 251, 2097, 2994, 3149, 2,0
6730, 336450, 3817, 269, 2058, 2959, 3182, 4,0
6731, 336500, 3836, 289, 2020, 2924, 3214, 7,0
6732, 336550, 3855, 309, 1981, 2889, 3245, 10,0
6733, 336600, 3873, 330, 1943, 2854, 3276, 14,0
6734, 336650, 3890, 351, 1904, 2818, 3307, 19,0
6735, 336700, 3906, 373, 1866, 2782, 3337, 25,0
6736, 336750, 3922, 395, 1827, 2746, 3367, 31,0
6737, 336800, 3938, 418, 1789, 2710, 3396, 38,0
6738, 336850, 3952, 442, 1751, 2673, 3425, 46,0
6739, 336900, 3966, 466, 1712, 2636, 3453, 54,0
6740, 336950, 3979, 491, 1674, 2599, 3481, 64,0
6741, 337000, 3992, 517, 1637, 2562, 3508, 73,0

6742, 337050, 4004, 542, 1599, 2525, 3535, 84,0
6743, 337100, 4015, 569, 1561, 2487, 3561, 95,0
6744, 337150, 4025, 596, 1524, 2449, 3587, 107,0
6745, 337200, 4035, 623, 1487, 2411, 3612, 120,0
6746, 337250, 4044, 651, 1450, 2373, 3637, 133,0
6747, 337300, 4052, 680, 1413, 2335, 3661, 147,0
6748, 337350, 4060, 709, 1376, 2297, 3684, 162,0
6749, 337400, 4067, 738, 1340, 2258, 3707, 177,0
6750, 337450, 4073, 768, 1304, 2220, 3729, 194,0
6751, 337500, 4078, 798, 1268, 2181, 3751, 210,0
6752, 337550, 4083, 829, 1232, 2143, 3772, 228,0
6753, 337600, 4087, 861, 1197, 2104, 3793, 246,0
6754, 337650, 4090, 892, 1162, 2066, 3813, 264,0
6755, 337700, 4093, 924, 1127, 2027, 3832, 283,0
6756, 337750, 4095, 957, 1093, 1989, 3851, 303,0
6757, 337800, 4096, 990, 1059, 1950, 3869, 324,0
6758, 337850, 4096, 1023, 1025, 1911, 3886, 345,0
6759, 337900, 4096, 1056, 992, 1873, 3903, 367,0
6760, 337950, 4095, 1090, 959, 1835, 3919, 389,0
6761, 338000, 4093, 1125, 927, 1796, 3934, 412,0
6762, 338050, 4090, 1159, 895, 1758, 3949, 435,0
6763, 338100, 4087, 1194, 863, 1720, 3963, 459,0
6764, 338150, 4083, 1229, 832, 1682, 3976, 484,0

6765, 338200, 4078, 1265, 801, 1644, 3989, 509,0
6766, 338250, 4073, 1301, 771, 1606, 4001, 535,0
6767, 338300, 4067, 1337, 741, 1568, 4012, 561,0
6768, 338350, 4060, 1373, 711, 1531, 4023, 588,0
6769, 338400, 4052, 1410, 682, 1494, 4032, 615,0
6770, 338450, 4044, 1447, 654, 1457, 4042, 643,0
6771, 338500, 4035, 1484, 626, 1420, 4050, 671,0
6772, 338550, 4025, 1521, 598, 1383, 4058, 700,0
6773, 338600, 4015, 1558, 571, 1347, 4065, 729,0
6774, 338650, 4004, 1596, 545, 1311, 4071, 759,0
6775, 338700, 3992, 1633, 519, 1275, 4077, 789,0
6776, 338750, 3979, 1671, 493, 1239, 4082, 820,0
6777, 338800, 3966, 1709, 468, 1204, 4086, 851,0
6778, 338850, 3952, 1748, 444, 1169, 4089, 882,0
6779, 338900, 3938, 1786, 420, 1134, 4092, 914,0
6780, 338950, 3922, 1824, 397, 1100, 4094, 946,0
6781, 339000, 3907, 1862, 375, 1066, 4095, 979,0
6782, 339050, 3890, 1901, 353, 1032, 4096, 1012,0
6783, 339100, 3873, 1939, 331, 999, 4096, 1046,0
6784, 339150, 3855, 1978, 311, 966, 4095, 1079,0
6785, 339200, 3837, 2017, 290, 933, 4093, 1113,0
6786, 339250, 3817, 2055, 271, 901, 4091, 1148,0
6787, 339300, 3798, 2094, 252, 869, 4088, 1183,0

6788, 339350, 3777, 2132, 234, 838, 4084, 1218,0
6789, 339400, 3756, 2171, 216, 807, 4080, 1253,0
6790, 339450, 3735, 2210, 199, 777, 4074, 1289,0
6791, 339500, 3712, 2248, 183, 747, 4068, 1325,0
6792, 339550, 3690, 2286, 167, 717, 4062, 1361,0
6793, 339600, 3666, 2325, 152, 688, 4054, 1397,0
6794, 339650, 3642, 2363, 138, 659, 4046, 1434,0
6795, 339700, 3618, 2401, 125, 631, 4037, 1471,0
6796, 339750, 3593, 2439, 112, 604, 4028, 1508,0
6797, 339800, 3567, 2477, 99, 576, 4018, 1545,0
6798, 339850, 3541, 2514, 88, 550, 4007, 1583,0
6799, 339900, 3514, 2552, 77, 524, 3995, 1620,0
6800, 339950, 3487, 2589, 67, 498, 3983, 1658,0
6801, 340000, 3459, 2626, 57, 473, 3970, 1696,0
6802, 340050, 3431, 2663, 49, 449, 3956, 1734,0
6803, 340100, 3402, 2700, 41, 425, 3942, 1772,0
6804, 340150, 3373, 2736, 33, 402, 3927, 1810,0
6805, 340200, 3344, 2773, 27, 379, 3911, 1848,0
6806, 340250, 3313, 2809, 21, 357, 3895, 1887,0
6807, 340300, 3283, 2844, 16, 336, 3878, 1925,0
6808, 340350, 3252, 2880, 11, 315, 3860, 1964,0
6809, 340400, 3220, 2915, 8, 295, 3842, 2002,0
6810, 340450, 3189, 2950, 5, 275, 3823, 2041,0

6811, 340500, 3156, 2984, 2, 256, 3803, 2079,0
6812, 340550, 3124, 3018, 1, 238, 3783, 2118,0
6813, 340600, 3091, 3052, 0, 220, 3762, 2156,0
6814, 340650, 3057, 3086, 0, 203, 3741, 2195,0
6815, 340700, 3023, 3119, 1, 186, 3719, 2233,0
6816, 340750, 2989, 3152, 2, 171, 3696, 2271,0
6817, 340800, 2955, 3184, 4, 156, 3673, 2309,0
6818, 340850, 2920, 3216, 7, 141, 3650, 2348,0
6819, 340900, 2885, 3247, 11, 128, 3625, 2386,0
6820, 340950, 2850, 3278, 15, 114, 3600, 2424,0
6821, 341000, 2814, 3309, 20, 102, 3575, 2461,0
6822, 341050, 2778, 3339, 26, 90, 3549, 2499,0
6823, 341100, 2742, 3369, 32, 79, 3522, 2536,0
6824, 341150, 2705, 3398, 39, 69, 3495, 2574,0
6825, 341200, 2669, 3427, 47, 60, 3468, 2611,0
6826, 341250, 2632, 3455, 56, 51, 3440, 2648,0
6827, 341300, 2595, 3483, 65, 43, 3411, 2684,0
6828, 341350, 2557, 3510, 75, 35, 3382, 2721,0
6829, 341400, 2520, 3537, 86, 28, 3353, 2757,0
6830, 341450, 2482, 3563, 97, 22, 3323, 2793,0
6831, 341500, 2445, 3589, 109, 17, 3293, 2829,0
6832, 341550, 2407, 3614, 122, 13, 3262, 2864,0
6833, 341600, 2369, 3639, 135, 9, 3230, 2899,0

6834, 341650, 2330, 3663, 149, 6, 3199, 2934,0
6835, 341700, 2292, 3686, 164, 3, 3167, 2968,0
6836, 341750, 2254, 3709, 180, 2, 3134, 3002,0
6837, 341800, 2215, 3731, 196, 1, 3101, 3036,0
6838, 341850, 2177, 3753, 213, 0, 3068, 3070,0
6839, 341900, 2138, 3774, 230, 1, 3034, 3103,0
6840, 341950, 2100, 3795, 248, 2, 3000, 3136,0
6841, 342000, 2061, 3814, 267, 4, 2966, 3168,0
6842, 342050, 2022, 3834, 286, 7, 2932, 3200,0
6843, 342100, 1984, 3852, 306, 10, 2897, 3231,0
6844, 342150, 1945, 3870, 327, 14, 2861, 3263,0
6845, 342200, 1907, 3888, 348, 19, 2826, 3293,0
6846, 342250, 1868, 3904, 370, 25, 2790, 3323,0
6847, 342300, 1830, 3920, 393, 31, 2754, 3353,0
6848, 342350, 1791, 3935, 416, 38, 2718, 3382,0
6849, 342400, 1753, 3950, 439, 46, 2681, 3411,0
6850, 342450, 1715, 3964, 463, 54, 2644, 3440,0
6851, 342500, 1677, 3977, 488, 64, 2607, 3468,0
6852, 342550, 1639, 3990, 513, 73, 2570, 3495,0
6853, 342600, 1601, 4002, 539, 84, 2533, 3522,0
6854, 342650, 1564, 4013, 566, 95, 2495, 3548,0
6855, 342700, 1526, 4024, 592, 107, 2458, 3574,0
6856, 342750, 1489, 4033, 620, 120, 2420, 3599,0

6857, 342800, 1452, 4043, 648, 133, 2382, 3624,0
6858, 342850, 1415, 4051, 676, 147, 2344, 3648,0
6859, 342900, 1379, 4059, 705, 162, 2306, 3671,0
6860, 342950, 1342, 4066, 735, 177, 2267, 3694,0
6861, 343000, 1306, 4072, 764, 193, 2229, 3717,0
6862, 343050, 1270, 4077, 795, 210, 2190, 3738,0
6863, 343100, 1235, 4082, 825, 227, 2152, 3759,0
6864, 343150, 1199, 4086, 857, 245, 2114, 3780,0
6865, 343200, 1164, 4090, 888, 264, 2075, 3800,0
6866, 343250, 1130, 4092, 920, 283, 2036, 3819,0
6867, 343300, 1095, 4094, 953, 303, 1998, 3838,0
6868, 343350, 1061, 4096, 986, 324, 1959, 3856,0
6869, 343400, 1028, 4096, 1019, 345, 1921, 3873,0
6870, 343450, 995, 4096, 1052, 366, 1883, 3890,0
6871, 343500, 962, 4095, 1086, 389, 1844, 3906,0
6872, 343550, 929, 4093, 1120, 412, 1806, 3922,0
6873, 343600, 897, 4091, 1155, 435, 1768, 3937,0
6874, 343650, 865, 4087, 1190, 459, 1730, 3951,0
6875, 343700, 834, 4084, 1225, 484, 1692, 3964,0
6876, 343750, 803, 4079, 1261, 509, 1654, 3977,0
6877, 343800, 773, 4074, 1296, 535, 1616, 3989,0
6878, 343850, 743, 4068, 1332, 561, 1578, 4000,0
6879, 343900, 713, 4061, 1369, 588, 1541, 4011,0

6880, 343950, 684, 4053, 1405, 615, 1504, 4021,0
6881, 344000, 656, 4045, 1442, 643, 1467, 4030,0
6882, 344050, 627, 4036, 1479, 671, 1430, 4039,0
6883, 344100, 600, 4027, 1516, 700, 1393, 4046,0
6884, 344150, 573, 4016, 1554, 729, 1357, 4054,0
6885, 344200, 546, 4005, 1591, 759, 1321, 4060,0
6886, 344250, 520, 3994, 1629, 789, 1285, 4066,0
6887, 344300, 495, 3981, 1667, 820, 1250, 4071,0
6888, 344350, 470, 3968, 1705, 851, 1214, 4075,0
6889, 344400, 446, 3954, 1743, 883, 1179, 4079,0
6890, 344450, 422, 3940, 1781, 915, 1145, 4081,0
6891, 344500, 399, 3925, 1819, 947, 1110, 4083,0
6892, 344550, 376, 3909, 1858, 980, 1076, 4085,0
6893, 344600, 354, 3892, 1896, 1013, 1043, 4085,0
6894, 344650, 333, 3875, 1935, 1046, 1009, 4085,0
6895, 344700, 312, 3858, 1973, 1080, 976, 4085,0
6896, 344750, 292, 3839, 2012, 1114, 944, 4083,0
6897, 344800, 272, 3820, 2051, 1149, 911, 4081,0
6898, 344850, 253, 3800, 2089, 1184, 880, 4078,0
6899, 344900, 235, 3780, 2128, 1219, 848, 4074,0
6900, 344950, 217, 3759, 2166, 1254, 817, 4070,0
6901, 345000, 200, 3738, 2205, 1290, 787, 4064,0
6902, 345050, 184, 3716, 2243, 1326, 757, 4059,0

6903, 345100, 168, 3693, 2282, 1362, 727, 4052,0
6904, 345150, 153, 3670, 2320, 1399, 698, 4045,0
6905, 345200, 139, 3646, 2358, 1435, 670, 4037,0
6906, 345250, 125, 3621, 2396, 1472, 641, 4028,0
6907, 345300, 113, 3596, 2434, 1510, 614, 4019,0
6908, 345350, 100, 3571, 2472, 1547, 587, 4008,0
6909, 345400, 89, 3545, 2510, 1584, 560, 3998,0
6910, 345450, 78, 3518, 2547, 1622, 534, 3986,0
6911, 345500, 68, 3491, 2585, 1660, 509, 3974,0
6912, 345550, 58, 3463, 2622, 1698, 484, 3961,0
6913, 345600, 49, 3435, 2659, 1736, 459, 3947,0
6914, 345650, 41, 3407, 2695, 1774, 435, 3933,0
6915, 345700, 34, 3377, 2732, 1813, 412, 3918,0
6916, 345750, 27, 3348, 2768, 1851, 389, 3903,0
6917, 345800, 21, 3318, 2804, 1889, 367, 3886,0
6918, 345850, 16, 3287, 2840, 1928, 346, 3869,0
6919, 345900, 12, 3256, 2875, 1966, 325, 3852,0
6920, 345950, 8, 3225, 2911, 2005, 304, 3834,0
6921, 346000, 5, 3193, 2945, 2044, 285, 3815,0
6922, 346050, 3, 3161, 2980, 2082, 266, 3795,0
6923, 346100, 1, 3128, 3014, 2121, 247, 3775,0
6924, 346150, 0, 3095, 3048, 2159, 230, 3755,0
6925, 346200, 0, 3062, 3082, 2198, 212, 3733,0

6926, 346250, 1, 3028, 3115, 2236, 196, 3711,0
6927, 346300, 2, 2994, 3148, 2275, 180, 3689,0
6928, 346350, 4, 2960, 3180, 2313, 165, 3666,0
6929, 346400, 7, 2925, 3212, 2351, 151, 3642,0
6930, 346450, 10, 2890, 3243, 2389, 137, 3618,0
6931, 346500, 15, 2855, 3275, 2427, 124, 3593,0
6932, 346550, 19, 2819, 3305, 2465, 111, 3568,0
6933, 346600, 25, 2783, 3335, 2503, 99, 3542,0
6934, 346650, 32, 2747, 3365, 2541, 88, 3515,0
6935, 346700, 39, 2711, 3395, 2578, 78, 3488,0
6936, 346750, 46, 2674, 3423, 2615, 68, 3461,0
6937, 346800, 55, 2637, 3452, 2652, 59, 3433,0
6938, 346850, 64, 2600, 3480, 2689, 51, 3405,0
6939, 346900, 74, 2563, 3507, 2725, 44, 3376,0
6940, 346950, 85, 2525, 3534, 2762, 37, 3346,0
6941, 347000, 96, 2488, 3560, 2798, 31, 3316,0
6942, 347050, 108, 2450, 3586, 2834, 25, 3286,0
6943, 347100, 121, 2412, 3611, 2869, 21, 3255,0
6944, 347150, 134, 2374, 3636, 2904, 17, 3224,0
6945, 347200, 148, 2336, 3660, 2939, 14, 3192,0
6946, 347250, 163, 2297, 3683, 2974, 11, 3160,0
6947, 347300, 179, 2259, 3706, 3008, 9, 3128,0
6948, 347350, 195, 2221, 3729, 3042, 8, 3095,0

6949, 347400, 212, 2182, 3750, 3076, 8, 3062,0
6950, 347450, 229, 2144, 3772, 3109, 8, 3028,0
6951, 347500, 247, 2105, 3792, 3142, 10, 2994,0
6952, 347550, 266, 2066, 3812, 3174, 11, 2960,0
6953, 347600, 285, 2028, 3831, 3206, 14, 2926,0
6954, 347650, 305, 1989, 3850, 3238, 17, 2891,0
6955, 347700, 326, 1951, 3868, 3269, 21, 2856,0
6956, 347750, 347, 1912, 3885, 3300, 26, 2820,0
6957, 347800, 369, 1874, 3902, 3330, 32, 2784,0
6958, 347850, 391, 1835, 3918, 3360, 38, 2748,0
6959, 347900, 414, 1797, 3934, 3389, 45, 2712,0
6960, 347950, 438, 1759, 3948, 3418, 52, 2676,0
6961, 348000, 462, 1720, 3962, 3447, 61, 2639,0
6962, 348050, 486, 1682, 3976, 3475, 70, 2602,0
6963, 348100, 512, 1644, 3988, 3502, 80, 2565,0
6964, 348150, 537, 1607, 4000, 3529, 90, 2527,0
6965, 348200, 564, 1569, 4012, 3555, 101, 2490,0
6966, 348250, 591, 1532, 4022, 3581, 113, 2452,0
6967, 348300, 618, 1494, 4032, 3607, 126, 2414,0
6968, 348350, 646, 1457, 4042, 3631, 139, 2377,0
6969, 348400, 674, 1420, 4050, 3656, 153, 2339,0
6970, 348450, 703, 1384, 4058, 3679, 167, 2300,0
6971, 348500, 733, 1347, 4065, 3702, 182, 2262,0

6972, 348550, 762, 1311, 4071, 3725, 198, 2224,0
6973, 348600, 793, 1275, 4077, 3747, 215, 2185,0
6974, 348650, 823, 1240, 4082, 3768, 232, 2147,0
6975, 348700, 854, 1204, 4086, 3789, 250, 2108,0
6976, 348750, 886, 1169, 4089, 3809, 269, 2070,0
6977, 348800, 918, 1135, 4092, 3828, 288, 2031,0
6978, 348850, 950, 1100, 4094, 3847, 307, 1993,0
6979, 348900, 983, 1066, 4095, 3865, 328, 1954,0
6980, 348950, 1016, 1033, 4096, 3882, 349, 1916,0
6981, 349000, 1050, 999, 4096, 3899, 370, 1878,0
6982, 349050, 1084, 966, 4095, 3915, 393, 1839,0
6983, 349100, 1118, 934, 4093, 3931, 415, 1801,0
6984, 349150, 1153, 901, 4091, 3946, 439, 1763,0
6985, 349200, 1188, 870, 4088, 3960, 463, 1725,0
6986, 349250, 1223, 838, 4084, 3973, 487, 1687,0
6987, 349300, 1258, 807, 4080, 3986, 512, 1649,0
6988, 349350, 1294, 777, 4074, 3998, 538, 1611,0
6989, 349400, 1330, 747, 4068, 4010, 564, 1574,0
6990, 349450, 1366, 717, 4062, 4021, 591, 1536,0
6991, 349500, 1403, 688, 4054, 4031, 618, 1499,0
6992, 349550, 1439, 659, 4046, 4040, 646, 1462,0
6993, 349600, 1476, 631, 4037, 4049, 674, 1425,0
6994, 349650, 1514, 604, 4028, 4057, 703, 1388,0

6995, 349700, 1551, 577, 4018, 4064, 732, 1352,0
6996, 349750, 1589, 550, 4007, 4070, 761, 1316,0
6997, 349800, 1626, 524, 3995, 4076, 791, 1280,0
6998, 349850, 1664, 498, 3983, 4081, 822, 1245,0
6999, 349900, 1702, 473, 3970, 4085, 853, 1209,0
7000, 349950, 1740, 449, 3956, 4089, 884, 1174,0

The following list of text from header file or *.hdr file:

PSCAD/EMTDC Simulation

Date of simulation (Month/Day/Year): 10/22/2017

Time of simulation (Hour:Min:Sec) : 22:41:38

Length of the simulation data : 0.3 Second

Data recorded after filtering through a 3rd order

Butterworth low-pass filter with the cut-off

frequency of 0. Hz.